



**Teilleiste**

**Spare Parts List**

**DÜRKOPP**

**Z 110 - Z 151**

---

**Dürkoppwerke GmbH**

Postfach 6 · D-4800 Bielefeld 1 · Telefon (0521) 556-0 · Telex 932400-0 dw d

## Inhaltsübersicht

Vorlagetisch	Z110-1	Tafel 1
Schere	Z111-1	Tafel 2
Schere	Z111-11, -12	Tafel 3
Schere	Z-111-13	Tafel 4
Schere	Z111-17	Tafel 5
Anschlebetisch	Z111-17	Tafel 6
Wartungseinheit	Z111-11, -12, -13, -17	Tafel 7
Bandschere	Z111-238	Tafel 8
Elektropneumat. Drückerfußlüftung	Z115-1, -2	Tafel 9
Pneumat. Füßchenlüftung	Z115-10	Tafel 10
Pneumat. Füßchenlüftung	Z115-20	Tafel 11
Elektropneumat. Drückerfußlüftung	Z115-21	Tafel 12
Pneumat. Drückerfußlüftung	Z115-51	Tafel 13
Elektropneumat. Füßchenlüftung	Z115-103	Tafel 14
Elektropneumat. Drückerfußlüftung	Z115-121	Tafel 15
Pneumat. Fußlüftung	Z115-211	Tafel 16
Pneumat. Stichverriegelung	Z116-1, -2, -3	Tafel 17
Pneumat. Stichverriegelung	Z116-13, -32	Tafel 18
Elektropneumat. Stichverriegelung	Z116-20, -21	Tafel 19
Elektropneumat. Stichverriegelung	Z116-211, -244, -255	Tafel 20
Elektropneumat. Drückerfußlüftung und Stichstellerbetätig.	Z117-1, -2, -3	Tafel 21
Elektropneumat. Drückerfußlüftung und Stichstellerbetätig.	Z117-21	Tafel 22, 23
Pneumat. Stichverriegelung und Füßchenlüftung	Z117-32, -34	Tafel 24
Pneumat. Drückerfußlüftung und Stichstellerbetätigung	Z117-51, -52, -53, -54	Tafel 25
Elektropneumat. Drückerfußlüftung und Stichstellerbetätig.	Z117-121	Tafel 26
Fußlüftung mit Handtaster und Verriegelung	Z117-211, -244, -255	Tafel 27
Absaugpumpe	Z119-9	Tafel 28
Fadenwischer	Z120-1, -2, -5, -6, -8	Tafel 29
Fadenwischer, pneumat.	Z120-11, -12	Tafel 30
Fadenwischer, pneumat.	Z120-16, -19	Tafel 31
Fadenwischer, pneumat.	Z120-33, -39, -43, -49	Tafel 32
Magnet. Fadenwischer	Z120-211, -1211	Tafel 33
Magnet. Fadenwischer	Z120-212, -1212, -244, -1244	Tafel 34
Magnet. Fadenwischer	Z120-212 R, -1212 R	Tafel 35
Magnet. Fadenwischer	Z120-219, -1219, -265, -1265	Tafel 36
Magnet. Fadenwischer	Z120-380, -1380	Tafel 37
Oberfadenblaseinrichtung	Z120-5211, -5212, -5244, -5380	Tafel 38
Fadenzieher	Z123-1, -2, -5, -6, -245	Tafel 39
Pneumat. Fußbetätigung von Senkrechtschneider	Z124-212	Tafel 40
Nadelpositioniereinrichtung	Z125-5 L, -5 R	Tafel 41
Pneumat. Nadelschaltung	Z126-1, -2	Tafel 42
Puller	Z127-243-1, -243-2, -243-3, -243-4	Tafel 43, 44
Puller	Z127-380-1, -380-2, -380-3, -380-4, -380-5	Tafel 45, 46
Bandabzugsgerät	Z129-1	Tafel 47
Markierungsleuchte	Z130-570	Tafel 48
a) Blaseinrichtung b) Nadelkühlung mit Steuerung	Z132-933-1, -933-2, -211, -265	Tafel 49
Nadelkühlung mit Steuerung	Z132-933-11, -933-12, -933-41, -933-42	Tafel 50
Nadelkühlung mit Schaltgestänge	Z132-243-10 E, -243-10 Q, -243-10 G	Tafel 51
	Z132-244-10 E, -244-10 Q, -244-10 K, -244-10 G	Tafel 51
	Z132-556, -570	Tafel 52
Nadelkühlung	Z133-1-211	Tafel 53
Anbausatz für Infrarot-Lichtschranke	Z133-1-212	Tafel 54
Anbausatz für Infrarot-Lichtschranke	Z133-1-219	Tafel 55
Anbausatz für Infrarot-Lichtschranke	Z133-6-219	Tafel 56
Fußtrittgesteuerter Abhacker	Z151-101, -102	Tafel 57
Fotozellengesteuerter Abhacker	Z151-111, -112	Tafel 58
Steuerung	Z151-111, -112, -211, -311-933, -111-221, -111-933, -111-212	Tafel 59, 60
Fußtrittgesteuerter Abhacker	Z151-201	Tafel 61
Fotozellengesteuerter Abhacker	Z151-211	Tafel 62, 63
Abhacker mit Reflexlichtschranke	Z151-221	Tafel 64
Fußtrittgesteuerter Abhacker	Z151-301-211	Tafel 65
Fußtrittgesteuerter Abhacker	Z151-301-265	Tafel 66
Fußtrittgesteuerter Abhacker	Z151-301-933, -401	Tafel 67
Fotozellengesteuerter Abhacker	Z151-311-933	Tafel 68
Fotozellengesteuerter Abhacker	Z151-111-211	Tafel 69
Fußtrittgesteuerter Abhacker	Z151-101-211, -101-212, -101-933	Tafel 70
Fotozellengesteuerter Abhacker	Z151-111-212, -111-933	Tafel 71
Fußtrittgeschalteter Abhacker	Z151-601	Tafel 72

## Contents

Feed table	Z110-1	Table 1
Scissors	Z111-1	Table 2
Scissors	Z111-11, -12	Table 3
Scissors	Z-111-13	Table 4
Scissors	Z111-17	Table 5
Sliding table	Z111-17	Table 6
Conditioning unit	Z111-11, -12, -13, -17	Table 7
Band scissors	Z111-238	Table 8
Electro-pneumatic pressure controlled foot lifting	Z115-1, -2	Table 9
Pneumatic foot lifting	Z115-10	Table 10
Pneumatic foot lifting	Z115-20	Table 11
Electro-pneumatic pressure controlled foot lifting	Z115-21	Table 12
Pneumatic pressure controlled foot lifting	Z115-51	Table 13
Electro-pneumatic pressure controlled foot lifting	Z115-103	Table 14
Electro-pneumatic pressure controlled foot lifting	Z115-121	Table 15
Pneumatic foot lifting	Z115-211	Table 16
Pneumatic Stitch-locking	Z116-1, -2, -3	Table 17
Pneumatic Stitch-locking	Z116-13, -32	Table 18
Electro-pneumat. Stitch locking	Z116-20, -21	Table 19
Electro-pneumatic Stitch locking	Z116-211, -244, -255	Table 20
Electro-pneumatic pressure controlled foot lifting and stitch guide operating	Z117-1, -2, -3	Table 21
Electro-pneumatic pressure controlled foot lifting and stitch guide operating	Z117-21	Table 22, 23
Pneumatic stitch locking and foot lifting	Z117-32, -34	Table 24
Pneumatic pressure controlled foot lifting and stitch guide operating	Z117-51, -52, -53, -54	Table 25
Electro-pneumatic pressure controlled foot lifting and stitch guide operating	Z117-121	Table 26
Foot lifting with Hand Sensor and Locking Device	Z117-211, -244, -255	Table 27
Suction pump	Z119-9	Table 28
Thread wiper arm assembly	Z120-1, -2, -5, -6, -9	Table 29
Pneumatic Thread wiper arm assembly	Z120-11, -12	Table 30
Pneumatic Thread wiper arm assembly	Z120-15, -19	Table 31
Pneumatic Thread wiper arm assy.	Z120-33, -39, -43, -49	Table 32
Magnetic Thread wiper arm assy.	Z120-211, -1211	Table 33
Magnetic Thread wiper arm assy.	Z120-212, -1212, -244, -1244	Table 34
Magnetic Thread wiper arm assy.	Z120-212 R, -1212 R	Table 35
Magnetic Thread wiper arm assy.	Z120-219, -1219, -265, -1265	Table 36
Magnetic Thread wiper arm assy.	Z120-380, -1380	Table 37
Upper Thread Blowing Device	Z120-5211, -5212, -5244, -5380	Table 38
Thread puller	Z123-1, -2, -5, -6, -245	Table 39
Pneumatic Foot Actuation for Engaging and Disengaging of Vertical Cutter	Z124-212	Table 40
Needle Positioning Device	Z125-5 L, -5 R	Table 41
Pneumatic Needle Feed Motion	Z126-1, -2	Table 42
Puller	Z127-243-1, -243-2, -243-3, -243-4	Table 43, 44
Puller	Z127-380-1, -380-2, -380-3, -380-4, -380-5	Table 45, 46
Puller	Z129-1	Table 47
Marking Light	Z130-570	Table 48
a) Blowing Device to Needle Cooling b) Needle Cooling	Z132-933-1, -933-2, -211, -265	Table 49
Needle Cooling with Control System	Z132-933-11, -933-12, -933-41, -933-42	Table 50
Needle Cooling with Controlling Rods	Z132-243-10E, -243-10Q, -243-10G	Table 51
	Z132-244-10E, -244-10Q, -244-10K, -244-10G	Table 51
Needle Cooling	Z132-556, -570	Table 52
Add-on Unit for Ultrared Light Barrier	Z133-1-211	Table 53
Add-on Unit for Ultrared Light Barrier	Z133-1-212	Table 54
Add-on Unit for Ultrared Light Barrier	Z133-1-219	Table 55
Add-on Unit for Ultrared Light Barrier	Z133-6-219	Table 56
Pedal controlled Chop-off Device	Z151-101, -102	Table 57
Photoelectric cell controlled Chop-off Device	Z151-111, -112	Table 58
Control System	Z151-111, -112, -211, -311-933, -111-221, -111-933, -111-212	Table 59, 60
Pedal controlled Chop-off Device	Z151-201	Table 61
Photoelectric cell controlled Chop-off Device	Z151-211	Table 62, 63
Chop-off Device with Reflex Coil	Z151-221	Table 64
Pedal controlled Chop-off Device	Z151-301-211	Table 65
Pedal controlled Chop-off Device	Z151-301-285	Table 66
Pedal controlled Chop-off Device	Z151-301-933, -401	Table 67
Photoelectric cell controlled Chop-off Device	Z151-311-933	Table 68
Photoelectric cell controlled Chop-off Device	Z151-111-211	Table 69
Pedal controlled Chop-off Device	Z151-101-211, -101-212, -101-933	Table 70
Photoelectric cell controlled Chop-off Device	Z151-111-212, -111-933	Table 71
Pedal controlled Chop-off Device	Z151-601	Table 72

Best.-Nr.	Tafel	Best.-Nr.	Tafel	Best.-Nr.	Tafel
24414611	16, 27	5513313	59	5701836	10, 11, 57, 58, 61, 62, 65, 66, 67, 68, 69, 70, 71, 72
24414619	16, 27	5513313	59	5701844	52
24414666	33, 34, 35, 36	5513328	59	5701847	38, 52
24414667	16, 20, 27, 33, 34, 35, 36	5513329	59	5701848	52
24415009	64	5513336	59	5701851	52
24415012	53, 54, 55	5513337	59	5701852	52
24415022	64	5551085	57, 58, 72	5701871	49
2453283	19	5564a	20, 27	5702136	40
2453285	19	55680	17, 21, 25	5702267	15
246134	61, 62, 63, 64	556457	61, 62, 63, 64	5702382	20, 27
246320	57, 61, 65, 66, 67, 70	556587	48	57010047	61, 62, 63, 64
24717a	19, 23, 26	556607	9, 10, 11, 12, 15, 21, 22, 26, 28	65045	17, 18, 21, 24, 25, 32
249230	37, 42, 45			6972399	8
249342a	43, 45	556895	33, 34, 35, 36, 37	70048	59
249440	19, 23, 26	5561313a	65, 66, 67, 68	700647	3, 4, 6
24940331	19, 23, 26	5561676a	16, 27	7001941	6
24940345	19, 23, 26	5561686	32, 33, 34, 35, 36, 37	7001954	6
24940354	19, 23, 26	5562068	55, 64	7001957	6
2492522389	39, 50	5562267	10, 11, 26, 28, 40, 42, 49, 50, 51, 57, 61, 65, 66, 67, 70	70220	47
249255129	17, 18, 20, 21, 24, 25, 27, 40, 41			70263	8, 32
264984	56	5563086	43	70266	61, 62, 63, 64
265131	65, 66, 67, 68	5567292	52	70273	61, 62, 63, 64
265565	5, 8, 53, 54, 55	5567375	37	702117	56
2653046	8	55614239	50	7101450	19, 23, 26, 47, 49
2654008	39	55615076	8	713302	5, 6, 9, 12, 21, 22, 50, 58, 62, 68, 69, 71
2654018	39	557111	16, 20, 27	717355	59
2658555	39	557263	6, 7, 8, 9, 12, 13, 17, 21, 22, 25, 51, 55, 57, 61, 66, 70	718155	38, 40, 42
26512024	39			718254	51, 57, 61, 65, 66, 67, 70
26513743	20, 27	557997	2	719123	5
2679501	39	5571015	42	72042a	6, 7, 10, 11, 13, 40, 42, 47, 49, 56, 57, 58, 61, 62, 65, 66, 67, 68, 69, 70, 71
2679502	39	5571494a	1		
2679507	39	5571532	43, 45	72043	6, 7, 11, 13, 42, 49, 57, 58, 61, 62, 65, 66, 67, 68, 69, 70, 71, 72
2679512	39	5571842	8		
2659521	39	5571971	37, 42, 45	720131	69, 71
27079	39	55830	65, 66, 67, 68	720409b	43
270263	60	55890	56, 58, 62, 64, 68	720409e	45
270276	40	558579	64	72153	7, 10, 11, 57, 61, 62, 65, 66, 67, 68, 69, 70, 71, 72
270631	9, 10, 13, 14, 16, 20, 24, 25, 27, 38	558631	33, 34, 35, 36	72164	10, 11
380117	61, 62, 63, 64	5581088	43, 45	72171	2, 3, 4, 5, 9, 10, 11, 12, 13, 15, 16, 17, 18, 19, 20, 25, 37, 49, 52, 57, 61, 62, 65, 68, 70, 72
380286	40	5581250	3, 4, 5		
380289	16, 27	5581304	52	7221138	38
3808871	39	560771	16, 17, 18, 19, 20, 27, 37, 38, 40, 51, 52	7221139	32, 49, 52, 58, 62, 63, 64, 68, 69, 71, 72
3808873	39			72332	1
3808878	39	5601941	20, 27	739255	32, 33, 34, 35, 36, 43, 45, 52, 59, 61
3808883	39	5691389	61, 62, 63, 64	739297	51, 59
3808885	39	5691895	8, 9, 12, 13, 18, 21, 22, 25, 31, 34, 35, 36, 43, 52, 58, 62, 68	739298	59, 60
3808887	39			739311	9, 12, 13, 21, 22, 25, 60
3808893	39	5692663	13	739347	20, 27, 61, 62, 63, 64
3808894	39	5692900	9, 12, 13, 15, 21, 22, 25, 26	739404	16, 27, 58, 62, 63, 64, 68, 69, 71, 72
3808896	39	5693278	40		
42084	48	5693947	6	739494	9, 12, 13, 14, 15, 21, 22, 24, 25, 26
420324	37	5694445	2	739878	8
422277	61, 62, 63, 64	570117	2, 3, 4, 5	7391108	2, 3, 4, 5
531460	39	570118	19, 23, 26	7395012	56
531464	29, 30, 31, 32, 39, 56	570138	3, 4, 5, 39	7395024	45, 51
531473	65, 66, 67, 68	570522	43, 45	7395105	20, 27
5411395	65, 66, 67, 68	570562	15, 28	7395347	2, 3, 4, 5, 25, 33, 34, 35, 58, 62, 63, 68, 69, 71
5411605	6	570751a	43		
549434	5	570912	8		
551987	8	570939a	51		
5511094	13	570939b	43, 45		
5511246	6, 39	570975	39		
5511252	47	5701220	51		
5511802	60	5701287	2, 3, 4, 5		
5511824	8, 30, 31, 37, 39, 56, 59, 60, 61, 62, 63, 64	5701392	8		
5512537	8	5701429	43, 45		
5513188	67	5701594	61, 62, 63, 64		

Best.-Nr.	Tafel	Best.-Nr.	Tafel	Best.-Nr.	Tafel
73916830	61	7442526	9, 11, 42, 44, 46	7462641	60
73917416	56	7442528	7, 16, 40, 51, 52, 72	7465428	20, 27, 33, 34, 35, 36, 37
73917417a	56	7443142	8	74640118a	51
73917435a	56	7443572	8	7978	61, 65, 66, 67, 70
7421535	9, 12, 13, 21, 22, 25	7444872	64	79715	37
7421556	19, 23, 26	7444873	64	79717	40
7421699	28	7449034	8	79718	38
7421908	1	7449183	30, 31, 49, 52	79719	8
7422036	48, 49	7449317	6, 10, 11, 28, 42, 49, 50	797108	52
7422096	2, 3, 4, 5, 9, 10, 11, 12, 13, 15, 16, 17, 18, 19, 20, 25, 37, 49, 52, 57, 61, 62, 65, 68, 70, 72	7449384	50	797312	9, 12, 13, 14, 15, 19, 21, 22, 24, 26, 26
7422193	5	7449431	64	797313	8
7422198	59	7449491	44, 46	797319	16, 20, 27, 44, 46
7422203	29, 30, 31, 32	7449513	2, 3, 4, 5, 9, 10, 11, 12, 13, 15, 17, 18, 19, 20, 25, 37, 49, 52, 57, 61, 62, 65, 68, 70, 72	7971516	40
7422238	8, 16, 17, 18, 19, 20, 21, 22, 24, 25, 26, 37, 40, 44, 46, 49, 50, 51, 52	74412497	60	7971520	42
7422241	19, 23, 26	74412508	60	7971525	8
7422244	17, 18, 19, 21, 23, 24, 25, 26, 31, 40, 44, 46, 49, 51, 52	74413136	60	7971526	8
7422273	64, 72	74420766	47	7972312	27
74222598	48, 59	74421531	5	7973191	8, 14, 19, 24
7422656	59	74422392	8, 42	79813	50
7423017	1	74422393	8, 40, 42	79814	50
7423018	1	74423614	28	798607	58, 62, 68, 69, 71
7423040	1	74423556	5, 9, 10, 11, 12, 13, 14, 15, 16, 21, 22, 24, 25, 26, 40, 42, 61, 62, 65, 69, 70	798676	64
7423204	1	74423557	7	798221025	47
7423739	59	74423566	3, 4, 5, 9, 10, 11, 12, 13, 15, 21, 22, 24, 26, 32, 42, 44, 46, 49, 50, 51, 52, 61, 65, 67, 70	798352501	33, 34, 35, 36
7425374	61, 62, 63, 64	74423854	59	798482404	47
7426088	50	74423855	59	7991812	32, 44, 46, 48, 53, 54, 55, 57, 61, 65, 68, 67, 70, 72
7426258	28	74423864	51, 57, 61, 65, 66, 67, 70	902236	39
7427274	5, 58, 61, 62, 64, 65, 66, 67, 68, 69, 70, 71, 72	74423937	60	902514	29, 30, 31, 32
7427346	1	74423938	60	902602	20, 27, 43, 45
7427350	1	74423939	60	902707	53, 54, 55, 56
7427353	1	74423973	60	911210	61, 62, 63, 64
7427355	1	74423974	60	911267	43, 50, 61, 62, 63, 64, 69, 70
7427359	1	74423975	60	911339	29, 30, 31, 32, 39
7427360	1	74423977	60	911376	45
7427361	1	74423979	60	911457	2
7427363	1	74423980	60	911668	47
7441509	8, 44, 46	74424309	60	911679a	54, 65, 66, 67, 68
7441658	9, 12, 13, 21, 22, 25	74424529	59	913629	39, 58, 59, 62, 68, 71
7441744	8	74424728	60	9133206	37
7441793a	2, 3, 4, 5, 9, 11, 12, 13, 15, 18, 17, 18, 19, 20, 25, 37, 49, 52, 57, 61, 62, 65, 68, 70, 72	74425556	50	914330	39
7441798	7, 52	74427746	32	922394	2
7441802	7	74441124	43, 45	931157	29, 30
7441802a	7	74450243	38, 40, 43, 45	9312124	2
7441802b	7	74450244	40	9312131	58, 62, 63, 68, 69, 71
7441804	7	74450485	60	933586	40
7441804a	7	74450489	60	933587	40, 51
7441816	7, 28, 50	74450491	60	9331249k	47
7441819	8, 19, 38, 64, 72	74450532	60	9331249	47
7441820	8, 27, 32, 50	74450537	60	9331250	47
7441839	41	74450539	60	9335643	57, 58, 68, 70, 71, 72
7441884	26	74450542	60	9338964	70, 71
7441974	49	746768	8, 16, 20, 27, 37, 49, 50	9339444	57, 58
7441978	15, 26, 53, 54, 55	7461152	51	9339445	57, 58
7442094	5, 20, 47, 48, 52	7461402	48	9339475	57, 58
7442156	5	7461404	48	9339478	57, 58
7442168	20, 47, 48, 52	7461547	27, 44, 46, 65, 66, 67, 68	93311296	44, 46
7442208	9, 13, 14, 21, 23, 24, 25, 30, 31, 37	7461605	5	93311424	14, 28
7442380	4	7461699a	56	93311589	64
		7462208	20, 27	93311589a	64
		7462807	60	93311777	38
		7462609	60	93320031	58, 62, 68
		7462623	60	93320350	58, 62, 63, 68, 69, 71
				93360872	24
				93363982	32
				93370181	28
				93374261	52
				939394	69, 70, 71

Best.-Nr.	Tafel	Best.-Nr.	Tafel	Best.-Nr.	Tafel
93910071	19, 23, 26, 40				
93916829	61, 62, 63, 64				
93916830	61, 62, 63, 64				
93917412	56				
93917421	56				
93917425	56				
93917426	56				
93917429	56				
9421424	65, 66, 67, 68				
9424555	47				
9424586	8				
9424753	47				
94210318	8, 9, 12, 20, 21, 22, 27, 33, 34, 35, 36, 37, 52, 58, 62, 63, 68, 69, 71				
9421413	51				
96559	1				
1001360	8				
10011153	8				
10019123	23				
10019127	39				
10019128	8, 41, 51				
10019129	20, 27				
10019130	17, 18, 20, 21, 24, 25, 27, 43				
10019137	38				
10019141	6, 10, 11, 28, 42, 49, 50				
10019150	9, 10, 13, 14, 21, 24, 25				
10019162	8				
10019228	33, 34, 35, 36, 37				
10019239	61, 62, 63, 64				
1005233	33, 34, 35, 36, 40, 59				
93002119	10				



# Inhaltsverzeichnis

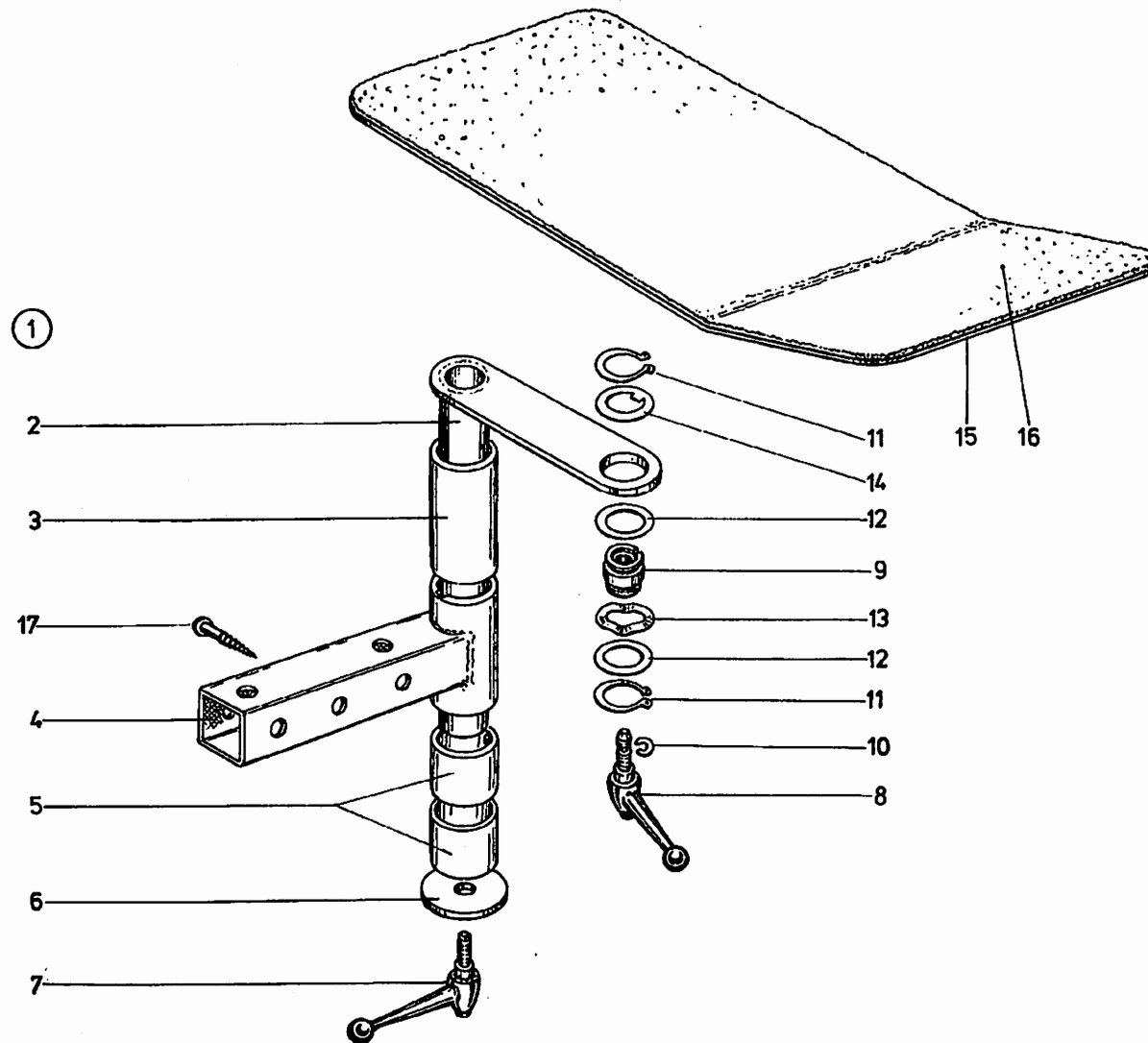
Best.-Nr.	Tafel	Best.-Nr.	Tafel	Best.-Nr.	Tafel
App. 528	32, 44, 46, 48, 53, 54, 55, 57, 61, 65, 70, 72	Z100341	57, 61, 65, 66, 67, 70	Z1159a	9, 10, 11, 12, 13, 14, 15, 21, 22, 24, 25, 26
MG4/6	8	Z100344	57, 61, 65, 66, 67, 70	Z11513	9, 10, 13, 14, 21, 24, 25
MG8/7	2, 5, 6, 9, 10, 11, 13, 14, 16, 21, 24, 25, 28, 43, 50, 53, 54, 55, 65, 66	Z100851	40	Z11521	9, 10, 13, 21, 25
MG41/1124	9, 12, 13, 14, 15, 21, 22, 24, 25, 26, 72	Z100852	40	Z11525	9, 10, 13, 14, 21, 25
MG41/1126	9, 12, 13, 21, 22, 25	Z100855	40	Z11531k	9, 12, 22
MG41/1364	9, 12, 13, 15, 21, 22, 26, 43, 45	Z100865	40	Z11532a	9, 12, 13, 21, 22
MG41/3013	18, 24	Z100885	40	Z11533a	9, 12, 13, 15, 21, 22, 25, 26
MG41/4524	44, 46	Z100932	40	Z11538	2, 3, 5, 9, 11, 12, 13, 15, 16, 17, 18, 19, 20, 25, 37, 49, 52, 57, 61, 62, 65, 68, 70, 72
MG41/4571	43, 45	Z10010401	33, 34, 35, 36	Z11541k	9, 12, 13, 21, 22, 25
MG41/4590	28	Z110101	1	Z11541	9, 12, 13, 21, 22, 25
MG41/8472	59	Z1111	2	Z11551	9, 12, 13, 21, 22, 25
MG41/8473	59	Z1112	2, 3, 4, 5	Z11561	9, 12, 21, 22
MG41/9204	60	Z11110	2, 3, 4, 5	Z11588	2, 3, 4, 5, 9, 10, 11, 12, 13, 15, 16, 17, 18, 19, 20, 25, 37, 49, 52, 57, 61, 62, 65, 68, 70, 72
MG43/36	7, 10, 11, 13, 42, 57, 58, 61, 62, 65, 66, 67, 68, 69, 70, 71, 72	Z11112	2, 3, 4, 5	Z11581	9, 12, 13, 21, 22, 25
MG43/63k	6	Z111112	2, 3, 4, 5	Z11595	9, 12, 13, 21, 22, 25
MG43/401	28, 49	Z111113	2, 3, 4, 5	Z11597	9, 12, 13, 21, 22, 25
MG43/402	9, 10, 11, 12, 21, 22, 28, 49	Z111118	2, 3, 4	Z11598	9, 12, 21, 22
MG43/403	10, 11, 28, 40, 42, 49, 50, 51, 57, 61, 65, 66, 67, 70	Z111119	2, 3	Z115141	9
MG43/404	10, 11, 28, 40, 42, 49, 50, 51, 57, 61, 65, 66, 70	Z11121	2	Z115201	9
MG43/408	7, 8, 9, 12, 13, 20, 21, 22, 25, 27, 51, 52, 57, 61, 65, 67, 70	Z11134	2	Z115401	12
MG43/409	10, 11, 15, 26, 28, 40, 42, 49, 50	Z11137	2	Z115403	11, 12, 15, 22, 26
MG43/411	10, 11	Z11151	2	Z115408	11, 12, 15, 21, 26
MG43/412	10, 11	Z11155	2	Z115422	11, 12, 15, 22, 26
MG43/425	51	Z11161	2	Z115427	11, 12, 15, 22, 26
MG43/431	15, 26	Z111141	3	Z115441	13
MG43/432	15, 26	Z111143	3, 4, 5	Z115446	13, 25
MG43/2510	10, 11, 15, 21, 26, 28, 40, 42, 49, 50	Z111149	3, 4, 5	z115447	13, 25
MG43/2521	6	Z111151	3, 4, 5	Z115448	13, 25
MG43/2611	42	Z111152	3, 4, 5	Z115511	14, 15, 24, 26
MG43/2950a	14, 24	Z111153	3, 4, 5	Z115514	14, 15, 24, 26
MG44/342	51	Z111154	3, 4, 5	Z115541	14
MG45/90	6, 10, 11, 28, 42, 49, 50	Z111155	3, 4, 5	Z115546	14, 24
NBO/1114	19	Z111156	3, 4, 5	Z115601	10
NBO81720	6, 10, 11, 28, 40, 42, 49, 50	Z111157	3, 4, 5	Z115701	11
NB311/12	28	Z111158	3, 4, 5	Z115801	15
P12153	19, 23, 26, 49, 50, 58, 61, 64, 71, 72	Z111162	3, 4, 5	Z115901	16, 27
P12159	9, 10, 11, 12, 13, 15, 19, 22, 44, 46	Z111171	3, 4	Z1163	17, 21, 25
P12176	2	Z111241	3	Z1164	17, 21, 25
P121110	7	Z111291	4	Z11612	17, 18, 21, 24, 25
P121124	2, 3, 4	Z111293	4	Z11616	17, 18, 21, 24, 25
P121125	9, 12, 13, 15, 21, 22, 25, 26	Z111294	4	Z11625	17, 18, 21, 24, 25
P12515	2	Z111297	4	Z11630	17, 21, 25
P12516	2, 3, 4, 6, 42, 49	Z111342	5	Z11635	17, 21, 25
P12519	2	Z111347	5	Z11638	17, 21, 25
TG42/73	51, 57, 61, 65, 66, 67, 70	Z111377	5	Z11641k	17, 18, 19, 21, 23, 24, 25, 26
Z100153	51	Z111501	8	Z11641a	17, 18, 19, 21, 23, 24, 25, 26
Z100156	51, 57, 61, 65, 66, 67, 70	Z111504	8	Z11647	17, 18, 19, 21, 23, 24, 25, 26, 38, 44, 46, 49, 51, 52
Z100157	51, 57, 61, 65, 66, 67, 70	Z111505	8	Z11648	17, 18, 19, 21, 23, 24, 25, 26, 44, 46
Z100159	51, 57, 61, 65, 66, 67, 70	Z111511	8	Z11649	16, 20, 27, 44, 46
Z100162	51, 57, 61, 65, 66, 67, 70	Z111516	8	Z11650	17, 18, 21, 24, 25, 30, 31, 52
Z100253	51	Z111519	8	Z11651	17, 18, 21, 24, 25
Z100259	51	Z111520	8	Z11655	5, 16, 17, 18, 19, 20, 27, 37, 38, 40, 51, 52
Z100273	51	Z111521	8	Z11661	3, 4, 5, 10, 11, 16, 17, 18, 19, 20, 23, 27, 28, 37, 38, 40, 42, 49, 50, 52
Z100303	51	Z111525	8	Z11681	17
		Z111532	8	Z116122	11
		Z111538	8		
		Z111541	8		
		Z111548	8		
		Z111551	8		
		Z111561	8		
		Z111562	8		
		Z111563	8		
		Z111567	8		
		Z111581	8		
		Z111582	8		
		Z111601	8		
		Z111664	8		
		Z1121868	7		
		Z113290	38, 42		
		Z1151	9, 10, 13, 14, 21, 24, 25		

Best.-Nr.	Tafel	Best.-Nr.	Tafel	Best.-Nr.	Tafel
Z116141	17	Z120117	29, 31	Z120925	33, 34, 35, 36
Z116181	17	Z120124	29, 31, 32	Z120927	33
Z116191	17, 18, 21, 25	Z120131	29, 31	Z120929	33, 34, 35, 36, 37
Z116241	19	Z120133	29, 31	Z120931	33, 34, 35, 36, 37
Z116258	19, 23, 26	Z120135	29, 30, 31, 32	Z120937	33, 35, 36, 37
Z116292k	18, 24	Z120151	29	Z120939	33, 34, 35, 36, 37
Z116292	18, 24	Z120153	29, 31	Z120944	33, 34, 35, 36
Z116331	18	Z120158	31	Z120951	33
Z116441	18	Z120161	29	Z120955	33, 34, 35, 36
Z116701	20	Z120163	29, 30	Z1201001	34
Z116702	20	Z120163	29, 30	Z1201003	34, 35, 36, 51
Z116703a	20, 27	Z120165	29	Z1201004	34, 35, 51
Z116717	20, 27	Z120166	29, 30, 32	Z1201006	34
Z116725	20, 27	Z120169	29, 30, 32	Z1201009	34
Z116741	20, 27	Z120171	29, 30, 32	Z1201011	34, 36
Z116742	20, 27	Z120174	29, 30	Z1201021	34
Z116743	20, 27	Z120176	29, 30, 32	Z1201028	34, 36
Z116747	20, 27	Z120178	29, 30, 32	Z1201071	34
Z116751	20, 27	Z120191	29	Z1201101	34
Z116761	20, 27	Z120193	29, 32	Z1201105	34
Z116771	20	Z120194	29, 31	Z1201141	34
Z116772	20	Z120195	29, 31, 32	Z1201181	35
Z116776	20	Z120198	29, 31	Z1201189	35
Z116778	20	Z120201	29	Z1201198	35
Z116791	20	Z120203	29, 30, 31, 32	Z1201207	35
Z116793	20, 37	Z120206	29	Z1201241	35
Z116801	20	Z120207	29, 30, 31, 32	Z1201242	35
Z116803	20	Z120208	29, 30	Z1201301	36
Z116841	20	Z120209	30	Z1201304	36
Z116842	20	Z120221	32	Z1201306a	36
Z116871	20, 27	Z120226	32	Z1201309	36
Z116872	20, 27	Z120238	32	Z1201323	36
Z116873	20, 27	Z120241	32	Z1201371	36
Z116941	20	Z120243	32	Z1201401	36
Z1161001	19	Z120276	32	Z1201403	36
Z1161018	19	Z120341	30	Z1201404	36
Z1161155	43	Z120347	30	Z1201406a	36
Z11731k	21	Z120348	30	Z1201421	36
Z117126	17, 18, 19, 21, 23, 24, 25, 26	Z120349	30, 31	Z1201471	36
Z116191	21	Z120356	30, 31, 37	Z1201501	37
Z116231	21	Z120358	30, 31	Z1201504	37
Z116281	21	Z120362	31, 44	Z1201506	37
Z116341	22	Z120401	30	Z1201518	37
Z116561	25	Z120427	30	Z1201524	37
Z116571	25	Z120491	31	Z1201526	37
Z116571	25	Z120507	31	Z1201527	37
Z116581	25	Z120508	31	Z1201551	37
Z116591	25	Z120601	31	Z1201552	37
Z116941	26	Z120627	31	Z1201553	37
Z1161105	25	Z120701	32	Z1201554	37
Z1161108	25	Z120702	32	Z1201556	37
Z1161110	25	Z120706	32	Z1201559	37
Z1161291	24	Z120709	32	Z1201601	37
Z1161305	18, 24	Z120712	32	Z1201606	37
Z1161391	24	Z120715	32	Z1201612	37
Z1161601	27	Z120718	32	Z1201631	37
Z1161701	27	Z120723	32	Z1201636	37
Z1161801	27	Z120726	32	Z1201637	37
Z11816	19, 23, 26	Z120801	32	Z1201647	37
Z118198	59	Z120806	32	Z1201648	37
Z118201	59	Z120823	32	Z1202101	37
Z118635	19	Z120826	32	Z1202105	38
Z119101	28	Z120901	32	Z1202110	38
Z119102	28	Z120903	33	Z1202111	38
Z119201	28	Z120904	33	Z1202112	38
Z120101	29	Z120906a	33, 35	Z1202131	38
Z120103	29, 31	Z120909	33, 36, 37	Z1202201	38
Z120106	29, 30, 31, 32	Z120914	33, 34, 36, 37	Z1202203	38
Z120111	29	Z120915	33, 34, 35, 36, 37	Z1202251	38
Z120112	29, 30, 31, 32	Z120917	33, 34, 35, 36, 37	Z1202253	38

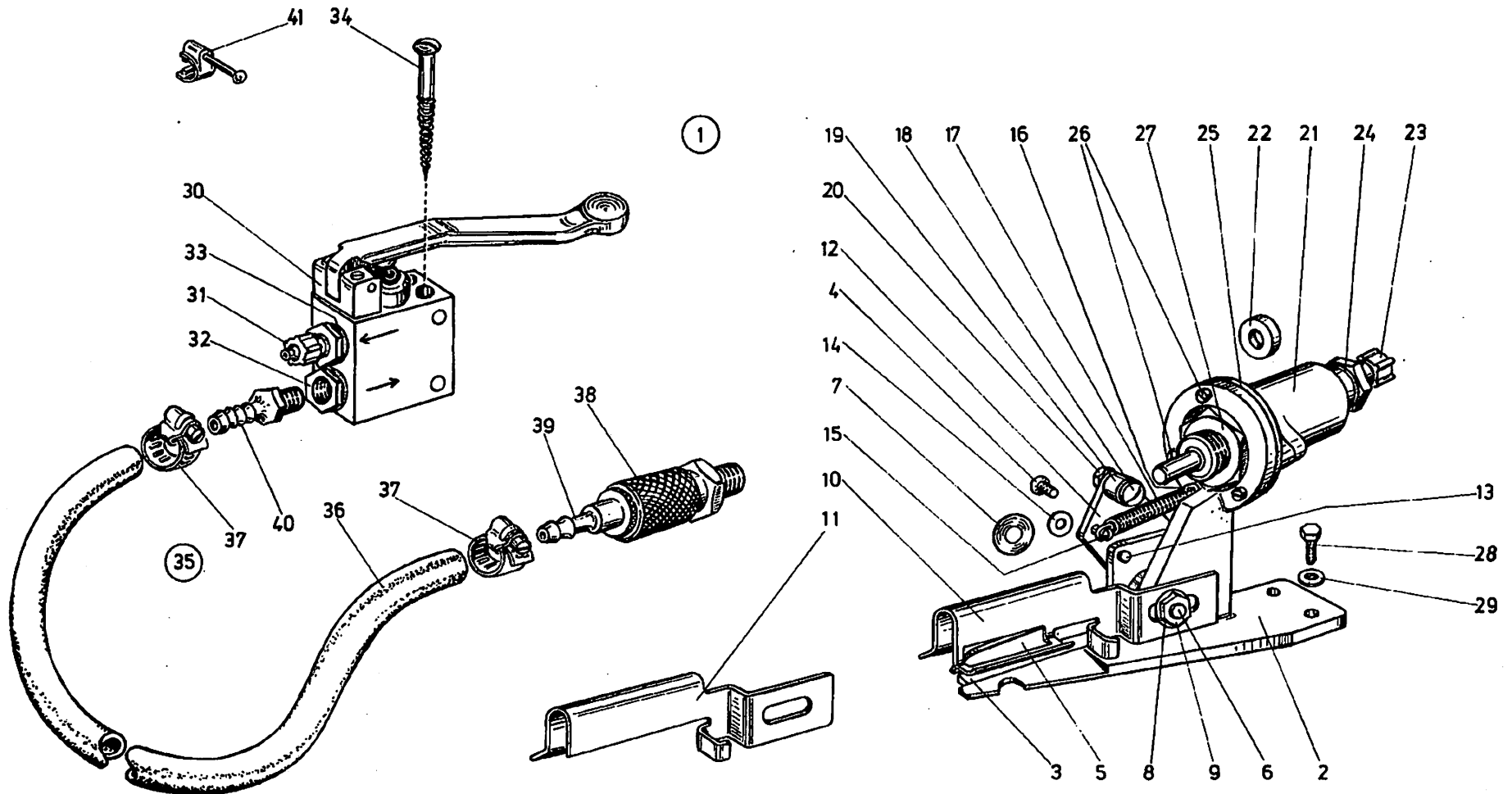


Best.-Nr.	Tafel	Best.-Nr.	Tafel	Best.-Nr.	Tafel
Z1202301	38	Z127425	43	Z132906	62
Z1202302	38	Z127427	43	Z1321001	51
Z1202314	38	Z127443	44, 46	Z1321002	51
Z123101k	39	Z127454	44, 46	Z1321004	51
Z123101	39	Z127471	44	Z1321006	51
Z123106	39	Z127474	44, 46	Z1321008	51
Z123113	39	Z127476	44, 46	Z1321009	51
Z123116	39	Z127543	44, 46	Z1301049	51
Z123121	39	Z127571	44, 46	Z1321058	51
Z123122	39	Z127581	44, 46	Z1321101	51
Z123125	39	Z127591	44	Z1321102	51
Z123146	39	Z127661	44, 45	Z1321103	51
Z123150	39	Z127686	44	Z1321108	51
Z123201	39	Z127762	14, 15, 24, 26	Z1321114	51
Z123202	39	Z127771	44	Z1321116	51
Z123205	39	Z127822	45	Z1321117	51
Z123206	39	Z127828	45	Z1321201	52
Z123207	39	Z127841	45	Z1321203	52
Z123210	39	Z127850	45	Z1321205	52
Z123251	39	Z127855	45	Z1321209	52
Z124101	40	Z127856	45	Z1321224	52
Z124103	40	Z127871	45	Z133101	56
Z123111	8, 40	Z127881	45	Z133103	53, 54, 55, 56
Z123116	40	Z127891	45	Z133191	53
Z123124	40	Z127919	46	Z133199	53
Z123127	40	Z127922	46	Z133200	53
Z125101	41	Z127931	46	Z133231	54
Z125102	41	Z1271041	46	Z133238	54
Z125103	41	Z1271101	46	Z133242	54, 55
Z125108	41	Z1271136	46	Z133271	56
Z125111	41	Z1271181	46	Z151109	57, 58, 69, 70, 71, 72
Z125114	41	Z1291	47	Z151110	57, 58, 69, 70, 71, 72
Z125115	41	Z1295	47	Z151111	57, 58, 69, 70, 71
Z125116k	41	Z12911	47	Z151114	58
Z125117	41	Z12935	47	Z151131	58, 62, 63, 64, 68, 69, 71
Z125118	20, 27, 33, 34, 35, 36, 41	Z1301	48	Z151135	58, 62, 63, 64, 68, 69, 71
Z125120	41	Z1306	48	Z151136	72
Z125124	41	Z1308	48	Z151137	72
Z125131	41	Z1309	48	Z151151	58
Z125135	41	Z13013	48	Z151160	58, 62, 71
Z126101	42	Z13019	48	Z151161	58, 62
Z126107	42	Z13031	48	Z151201	59
Z126122k	42, 50	Z13032	48	Z151203	59
Z126122	6, 10, 28, 49	Z13041	48	Z151231	59
Z126141	6, 10, 11, 28, 42, 49, 50	Z13045	48, 59	Z151241	59
Z126145	6, 10, 11, 28, 42, 49, 50	Z132102	49	Z151243	59
Z126148	6, 10, 11, 28, 42, 49, 50	Z132191	49	Z151251	59
Z126151	10, 11, 42, 49, 50	Z132491k	49	Z151256	59
Z126152	10, 11, 42, 49, 50, 51	Z132491	49	Z151288	60
Z126181	42	Z132510	49	Z151294	60
Z126241	42	Z132531	49	Z151296	60
Z127307k	43, 45	Z132532	49	Z151302	9, 12, 20, 21, 22, 27, 33, 34, 35, 36, 38, 40, 42, 44, 46, 47
Z127310	43, 45	Z132548	49	Z151340	58, 62, 63, 68, 69, 71
Z127313	43, 45	Z132591	49	Z151357	58, 68, 69, 71
Z127325	43	Z132607	49	Z151371	58, 62, 68, 69, 71
Z127344	43	Z132611	49	Z151375	58, 62, 68, 69, 71
Z127346	43	Z132621	49	Z151471	57
Z127351	43	Z132641	49	Z151492	57, 58, 72
Z127353	43, 45	Z132653	49	Z151541	57
Z127354	43, 45	Z132658	49	Z151544	57, 58
Z127363	43, 45	Z132691	50	Z151571	58
Z127367	43	Z132694	50	Z151601	61, 62, 63, 64
Z127368	43	Z132697	50	Z151604	61, 62, 63, 64
Z127406	43, 45	Z132701	50	Z151611	61, 62, 63, 64
Z127411	43	Z132741	50	Z151615	61, 62, 63, 64
Z127413	43, 45	Z132742	50	Z151618	61, 62, 63, 64
Z127416	43, 45	Z132803	50	Z151622	61, 62, 63, 64
Z127417	43, 45	Z132863	50	Z151623	61, 62, 63, 64
Z127419	43, 45	Z132901	52		
Z127424	43	Z132902	52		

Best.-Nr.	Tafel	Best.-Nr.	Tafel	Best.-Nr.	Tafel
Z151626	61, 62, 63, 64	014140.	69, 71	21256838a	54, 55
Z151627	61, 62, 63, 64	021247b	8	213370	11, 12, 15, 20, 22, 26, 27,
Z151629	61, 62, 63, 64	021359b	4		29, 31, 32, 42, 46
Z151634	61, 62, 63, 64	024275	2, 3, 4, 5, 8, 29, 31, 32, 37,	2132010	17, 21, 25
Z151642	61, 62, 63, 64		42, 45, 48, 50, 53, 54, 55,	2132038	20, 27, 30, 31, 39
Z151643	61, 62, 63, 64		62, 64, 65, 66, 69, 71	21628	38
Z151670	61, 62, 63, 64	04378	19, 23, 26	21643	17, 21, 25
Z151691	62	052360	6, 49	21646	9, 12, 13, 21, 22, 25, 32,
Z151699	63	052361	6, 49		40
Z151711	61	055147	17, 18, 21, 25	21668	52
Z151751	64	147203	8, 57, 58, 69, 70, 71, 72	21688	8, 9, 13, 21, 23, 25, 29,
Z151811	63	202704	9, 12, 13, 21, 22, 25, 31, 50,		32, 49
Z151827	58, 62, 68, 69, 71		51, 52, 58, 59, 62, 63, 68,	21698	20, 27, 32, 36, 37, 38
Z151830	58, 68, 69, 71		69, 71	216103	17, 18, 21, 24, 25
Z151831a	58, 62, 63, 68, 69, 71	202708	37, 39, 43	216120	2, 30, 31, 51, 57, 61, 62,
Z151844	58, 62, 63, 69, 71	20442	33		65, 66, 67, 68, 70
Z151845	63	21113	20, 27, 34, 35, 36	216123	8, 14, 19, 24, 43, 45, 48, 64
Z151846	58, 62, 68, 69, 71	21117	57, 58	216211	61, 62, 63, 64
Z151848a	58, 69, 71	21131	20, 27	216216	8
Z151901	60	21163	4	216229	37
Z151941	60	211100a	9, 12, 13, 20, 21, 22, 25,	216354	33, 34, 35, 36
Z151951	60		27, 40, 51	216359	9, 12, 13, 21, 22, 25
Z151952	60	211198	37, 39	216377	11, 12, 15, 17, 21, 22, 24,
Z151954	60	211242	10		25, 26
Z151992	65, 66, 67, 68	211245	40	216378	37
Z151997	65, 66, 67, 68	211256	69, 71	216406	17, 18, 21, 25
Z1511041	65	211373	43, 45	216471	29, 30, 31, 53, 54, 55
Z1511042	65	211496	38	216508	50
Z1511045	65	211538	10	216542	2, 3, 4, 5
Z1511047	40, 65, 66, 67, 68	211567	57, 58	216589	17, 18, 19, 21, 23, 24, 25,
Z1511049	65	211568	17, 18, 21, 24, 25		26
Z1511053	65	211570	17, 18, 21, 24, 25	216601	8, 40
Z1511059	65, 66, 67, 68	211571	17, 18, 21, 24, 25	216660	52
Z1511061	65	211572a	17, 21, 25	216775	38
Z1511062	65	211593	10, 11	219353	20, 27, 59
Z1511101	66	211609	56	2194240	47
Z1511102	66	211612	9, 10, 11, 12, 21, 22	21956308	55, 64
Z1511105	66	211616	9, 12, 21, 22, 61	22392	8
Z1511115	66	2111505	69, 70	223676	32, 34, 35, 36, 51
Z1511122	66	2113011	63	223700	20, 25, 27, 39, 49, 60
Z1511123	66	2113012	69	223723	58
Z1511151	67	2113016	50, 62, 63, 65, 66, 67	2231296	52
Z1511152	67, 68	2113027	8, 60	2236047	56
Z1511155	67, 68	2113093	53, 54, 55	225700	2, 3, 8, 43, 45
Z1511160	66, 67, 68	2115647	69, 70	231454	8
Z1511165	67, 68	2119543	3, 4, 5	237202	4, 16, 20, 27, 43, 45, 58, 62,
Z1511172	67, 68	2119700	28, 48		63, 69, 71
Z1511173	67, 68	21110801	15, 26, 40	237624	39
Z1511201	67	21110816	13	23810073	49, 51
Z1511209	67	21110821	13	23810281	19, 23, 26
Z1511217	67	21110824	13	23810356	19, 23, 26
Z1511218	67	21110832	9, 12, 21, 22	20310465	59
Z1511501	68	21154023	20, 27	20310476	59
Z1511509	68	21154075	20, 27, 61, 62, 63, 64	20310535	41
Z1511534	68	21154215	20	2401129	47, 48, 59
Z1511591	69	21154241	20, 27	2401265	57, 58
Z1511595	69, 70, 71	21154245	20, 27	2401282	49
Z1511601	69, 70, 71	21154246	20, 27	24411523	70, 71
Z1511605	57, 69, 70, 71, 72	21154247	20, 27	24414172	33, 34, 35, 36
Z1511611	69	21154248	20, 27	24414174	33, 34, 35, 36
Z1511701	70	21154671	20, 27	24414175	33, 34, 35, 36
Z1511801	70	21155408	53	24414177	33, 34, 35, 36
Z1511901	71	21267	19, 23, 26	24414183	33, 34, 35, 36
Z1511991	71	212297	29, 30, 31, 32, 50	24414547	20, 27
Z1512011	71	212549	17, 18, 21, 24, 25	24414571	20, 27
Z1512101	70	2123011	50, 54, 55	24414578	16, 27
Z1512141	72	2123012	58, 71	24414595	16, 27
Z1512161	72	2125412	17, 18, 21, 25	24414602	16, 27
Z1512171	72	21250771	70, 71	24414605	16, 27
01275	19, 23, 26	21255712	20, 27	24414607	18, 27



Pos. Det.	Teile Nr. Part No.	Benennung	Denomination	Pos. Det.	Teile Nr. Part No.	Benennung	Denomination	Pos. Det.	Teile Nr. Part No.	Benennung	Denomination
<b>Z 110-1</b>											
1	Z110101	Vorlagetisch kpl. best. aus Pos. 2, 3, 4, 5, 6, 7, 8, 9, 10, 11, 12, 13, 14, 15, 16, 17	Feed Table cpl. cons. of pos. 2, 3, 4, 5, 6, 7, 8, 9, 10, 11, 12, 13, 14, 15, 16, 17								
2	7427346	Stütze	Stay								
3	7423017	Buchse	Bush								
4	7423204	Schwenkarm	Swinging arm								
5	7427363	Buchse	Bush								
6	7423040	Scheibe	Washer								
7	7423018	Klemmhebel	Clamping lever								
8	7427350	Klemmhebel	Clamping lever								
9	7427360	Buchse	Bush								
10	7421908	Halbmondring	Crescent-shaped ring								
11	72332	Sicher.-Ring	Packing ring								
12	7427363	Seitenscheibe	Side washer								
13	7427361	Ausgleichscheibe	Spacing washer								
14	96659	Seitenscheibe	Side washer								
15	7427355	Bündeltisch (mit Pos. 16)	Bundling table (with pos. 16)								
16	7427359	Webbaum-Beleg	Weaver's beam coating								
17	5571494a	Holzschraube	Woodscrew								

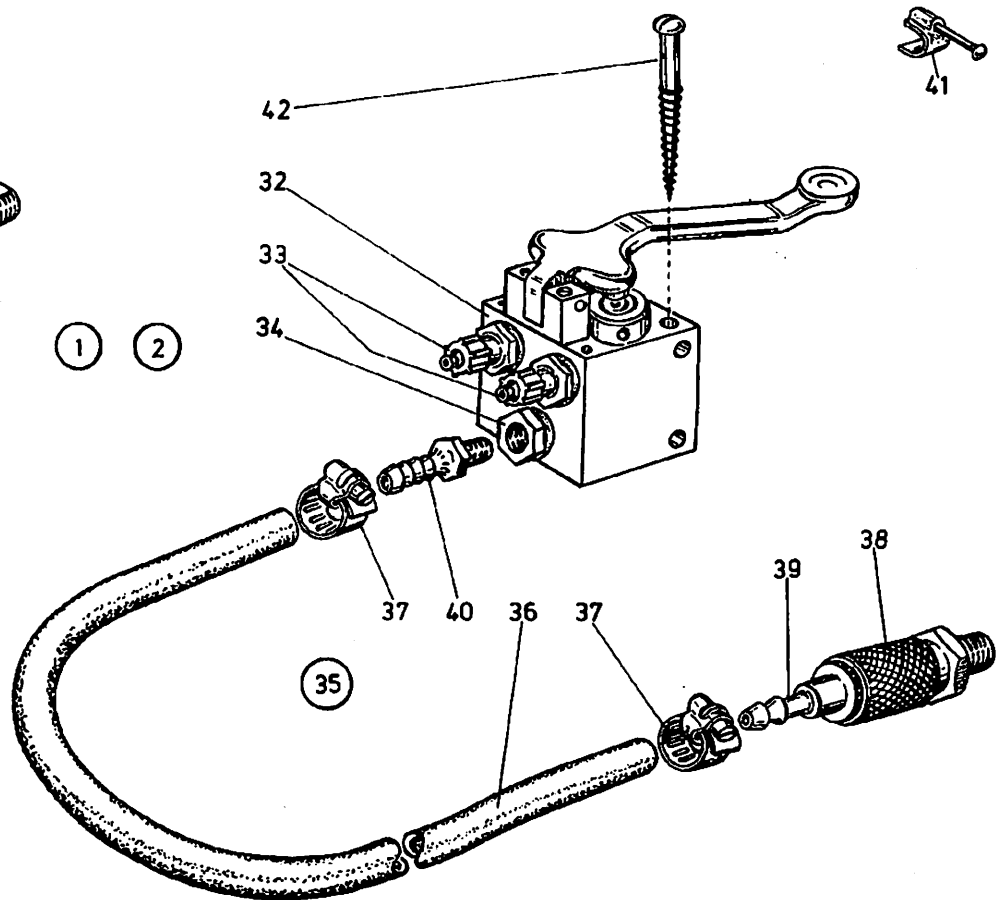
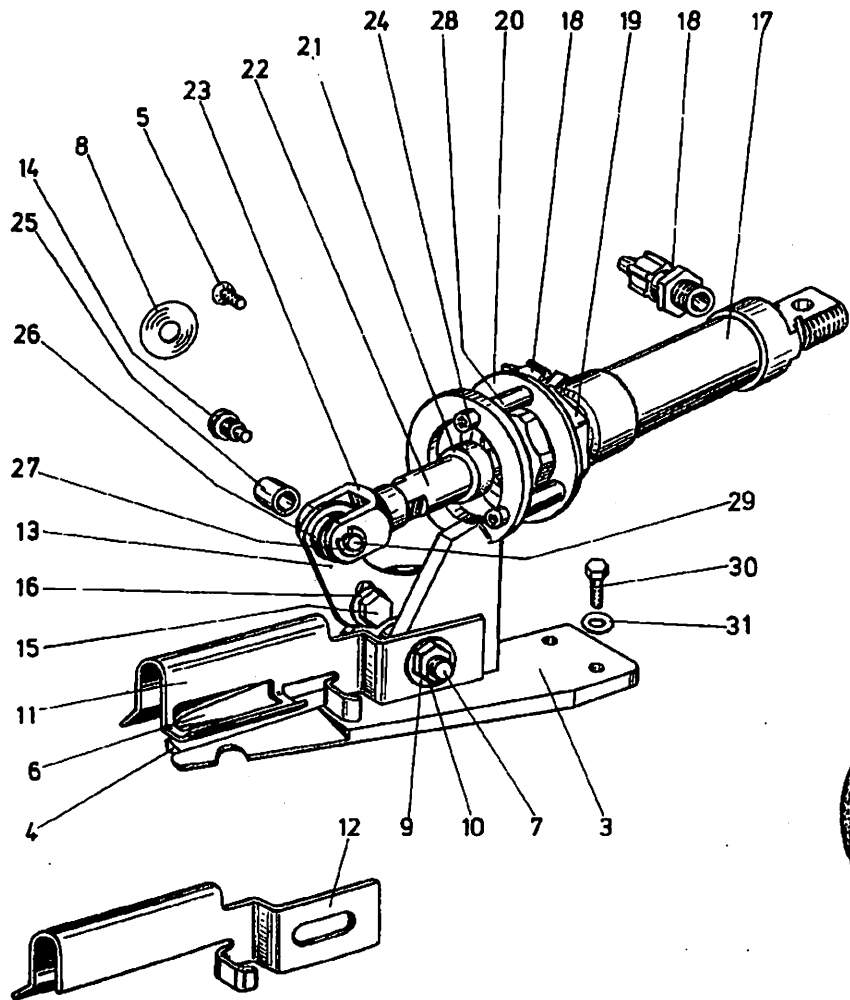




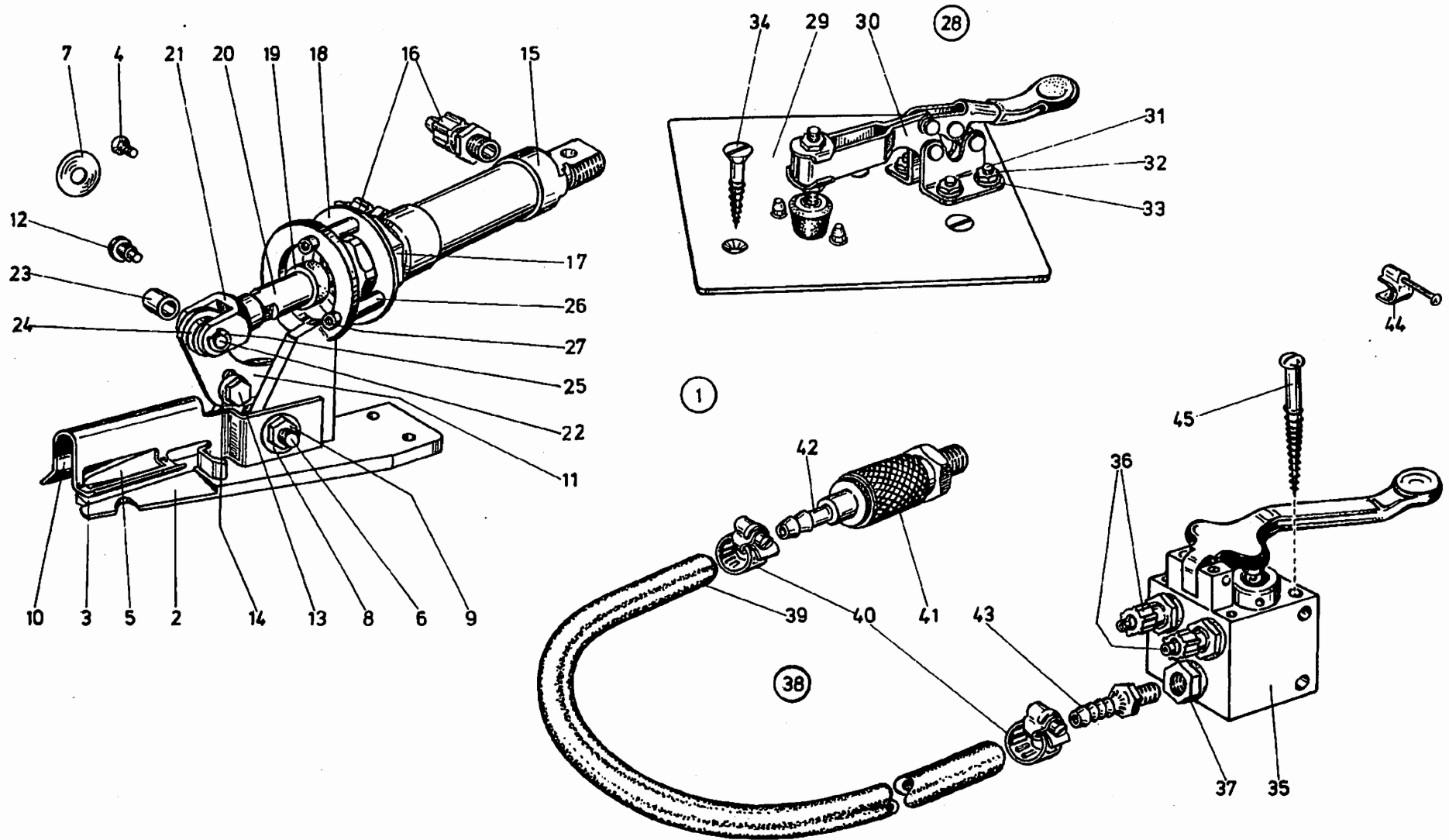
Klasse Z111, Tafel 2 — Class Z111, Table 2

Tafel 2

Pos. Det.	Teile Nr. Part No.	Benennung	Denomination	Pos. Det.	Teile Nr. Part No.	Benennung	Denomination	Pos. Det.	Teile Nr. Part No.	Benennung	Denomination
		<b>Z111-1</b>									
1	Z1111	Schere kpl. best. aus Pos. 2—41 (Pos. 10 oder 11 je nach Maschinenart)	A pair of scissors cpl. cons. of pos. 2—41 (pos. 10 or 11 — it de- pends on machine type)	36	Z11577	Anschl.-Schlauch	Coupling hose				
2	Z1112	Scherenhalter	Scissors holder	37	7422096	Schl.-Klemme	Hose clip				
3	Z11110	Schneidblatt (unten)	Lower cutter blade	38	7441793a	Schl.-Kupplung	Hose coupling				
4	7395347	Senkschraube	Countersunk screw	39	7449513	Schlauchtülle	Hose nozzle				
5	Z11112	Schneidblatt (oben)	Upper cutter blade	40	Z11538	Schlauchtülle	Hose nozzle				
6	Z11113	Ansatzschraube	Shoulder screw	41	P121124	Schelle	Clip				
7	7391108	Tellerfeder	Cup spring								
8	570117	Scheibe	Washer								
9	5701287	6kt.-Mutter	Hexagonal nut								
10	Z11118	Schutzblech	Guard plate								
11	Z11119	Schutzblech (für Pullermaschinen)	Guard plate (for puller machines)								
12	Z11121	Verläng.-Blech	Lengthening plate								
13	216542	6kt.-Schraube	Hexagonal screw								
14	024275	Scheibe	Washer								
15	9312124	Federschraube	Spring screw								
16	922394	Fadenöse	Thread loop								
17	557997	Zugfeder	Draw spring								
18	911457	Ansatzschraube	Shoulder screw								
19	5694445	Rolle	Roll								
20	MG8/7d	6kt.-Mutter	Hexagonal nut								
21	P125/15	Zylinder	Compressed-air cylinder								
22	Z11134	Abstandsring	Distance ring								
23	P12516	Schl.-Verschr.	Hose coupling screw								
24	P12176	Dichtring	Packing ring								
25	Z11137	Zwischenscheibe	Space washer								
26	216120	Zyl.-Schraube	Cylinder screw								
27	P12519	6kt.-Mutter	Hexagonal nut								
28	225700	6kt.-Schraube	Hexagonal screw								
29	024275	Scheibe	Washer								
30	Z11151	Ventil (mit Pos. 31, 32, 33)	Valve (with pos. 31, 32, 33)								
31	P12516	Schl.-Verschr.	Hose coupling screw								
32	Z11661	Reduzierstück	Reducer								
33	P12176	Dichtring	Packing ring								
34	Z11155	Holzschraube	Wood screw								
35	72171	Anschl.-Schlauch best. aus Pos. 36, 37, 38, 39, 40	Coupling hose cons. of pos. 36, 37, 38, 39, 40								



Pos. Det.	Teile Nr. Part No.	Benennung	Denomination	Pos. Det.	Teile Nr. Part No.	Benennung	Denomination	Pos. Det.	Teile Nr. Part No.	Benennung	Denomination
		<b>Z111-11;-12</b>									
1	Z111141	Schere kpl. best. aus Pos. 3–11 und 13–42 für Z111-11	A pair of scissors cpl. cons. of pos. 3–11 and 13–42 for Z111-11	34	Z11661	Reduzierstück	Reducer				
2	Z111241	Schere kpl. best. aus Pos. 3–10 und 12–42 für Z111-12	Scissors cpl. cons. of pos. 3–10 and 12–42 for Z111-12	35	72171	Anschl.-Schlauch best. aus Pos. 36, 37, 38, 39, 40	Coupling hose cons. of pos. 36, 37, 38, 39, 40				
3	Z1112	Scherenhalter	Scissors holder	36	Z11577	Anschl.-Schlauch	Coupling hose				
4	Z11110	Schneidblatt (unten)	Lower cutter blade	37	7422096	Schl.-Klemme	Hose clip				
5	7396347	Senkschraube	Countersunk screw	38	7441793a	Schl.-Kupplung	Hose coupling				
6	Z11112	Schneidblatt (oben)	Upper cutter blade	39	7449513	Schlauchdüse	Hose nozzle				
7	Z11113	Ansatzschraube	Shoulder screw	40	Z11538	Schlauchdüse	Hose nozzle				
8	7391108	Tellerfeder	Cup spring	41	P121124	Schelle	Clip				
9	570117	Scheibe	Washer	42	700647	Holzschraube	Wood screw				
10	5701287	6kt.-Mutter	Hexagonal nut								
11	Z11118	Schutzblech für Z111-11	Guard plate for Z111-11								
12	Z11119	Schutzblech für Z111-12	Guard plate for Z111-12								
13	Z111143	Verläng.-Blech	Lengthening plate								
14	Z119543	Zapfenschraube	Shank screw								
15	Z116542	6kt.-Schraube	Hexagonal screw								
16	024275	Scheibe	Washer								
17	Z111149	Zylinder	Cylinder								
18	74423566	Schl.-Verschr.	Hose coupling screw								
19	Z111151	6kt.-Mutter	Hexagonal nut								
20	Z111152	Zwischenscheibe	Space washer								
21	Z111153	Durethanscheibe	Durethan washer								
22	Z111154	Hülse	Bush								
23	Z111155	Gabelkopf	Fork head								
24	Z111156	Bolzen	Bolt								
25	Z111157	Rolle	Roll								
26	Z111158	Distanzscheibe	Distance washer								
27	570138	Sicher.-Scheibe	Locking washer								
28	5581250	Distanzhülse	Distance bush								
29	Z111162	Zyl.-Schraube	Cyl. head screw								
30	Z25700	6kt.-Schraube	Hexagonal screw								
31	024275	Scheibe	Washer								
32	Z111171	Ventil (mit Pos. 33 und 34)	Valve (with pos. 33 and 34)								
33	P12516	Schlauchverschraubung	Hose coupling screw								

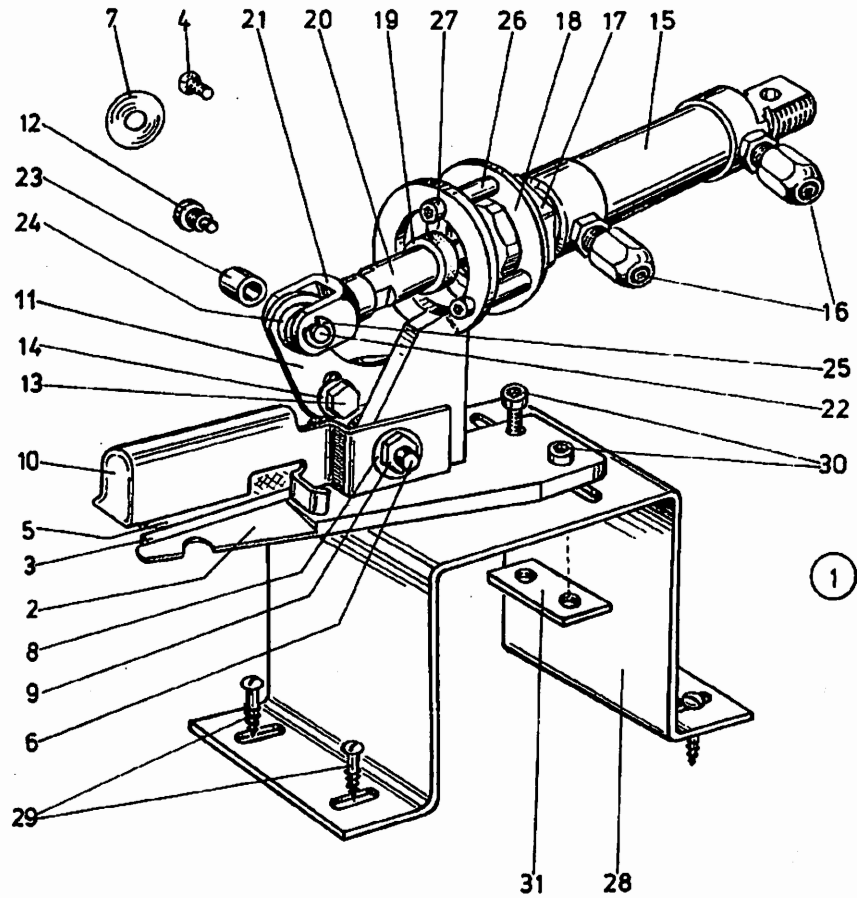


Klasse Z 111, Tafel 4 — Class Z 111, Table 4

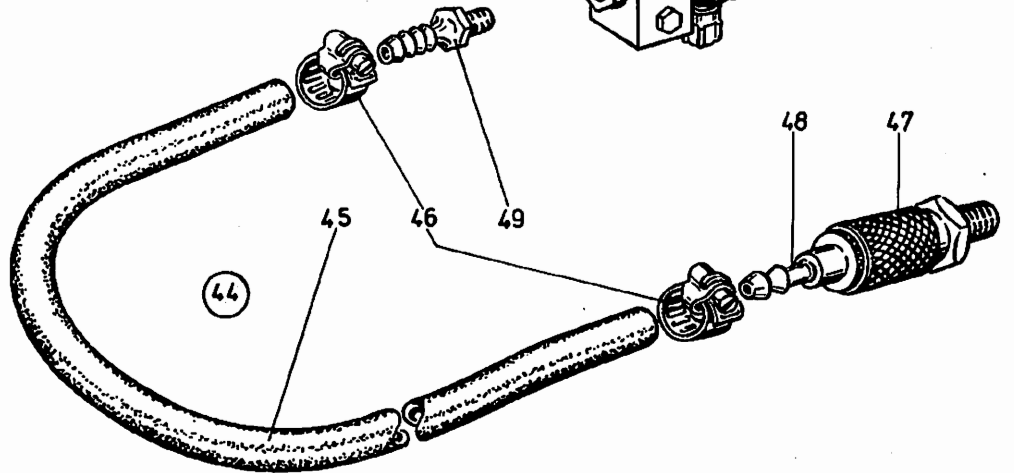
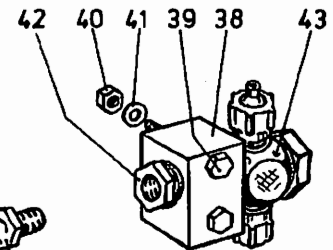
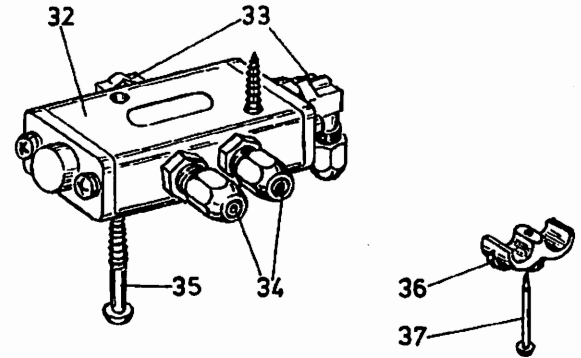
Tafel 4

Pos. Det.	Teile Nr. Part No.	Benennung	Denomination	Pos. Det.	Teile Nr. Part No.	Benennung	Denomination	Pos. Det.	Teile Nr. Part No.	Benennung	Denomination
<b>Z 111-13</b>											
1	Z111291	Schere kpl. best. aus Pos. 2—45	Scissors cpl. cons. of pos. 2—45	38	72171	Ansch.-Schlauch kpl. best. aus Pos. 39, 40, 41, 42, 43	Coupling hose cpl. cons. of pos. 39, 40, 41, 42, 43				
2	Z11112	Scherenhalter	Scissors holder	39	Z11577	Anschl.-Schlauch	Coupling hose				
3	Z11110	Schneidblatt (unten)	Lower cutter blade	40	7422096	Schl.-Klemme	Hose clip				
4	7395347	Senkschraube	Countersunk screw	41	7441793a	Schl.-Kupplung	Hose coupling				
5	Z11112	Schneidblatt (oben)	Upper cutter blade	42	7449513	Schlauchtülle	Hose nozzle				
6	Z11113	Ansatzschraube	Shoulder screw	43	Z11538	Schlauchtülle	Hose nozzle				
7	7391108	Tellerfeder	Cup spring	44	P121124	Schelle	Clip				
8	670117	Scheibe	Washer	45	700647	Holzschraube	Wood screw				
9	6701287	Økt.-Mutter	Hexagonal nut								
10	Z11118	Schutzblech	Guard plate								
11	Z111143	Verläng-Blech	Lengthening plate								
12	2119543	Zapfenschraube	Shank screw								
13	216542	Økt.-Schraube	Hexagonal screw								
14	024275	Scheibe	Washer								
15	Z111149	Zylinder	Cylinder								
16	74423566	Schl.-Verschr.	Hose coupling screw								
17	Z111151	Økt.-Mutter	Hexagonal nut								
18	Z111152	Zwischenstück	Space washer								
19	Z111153	Durothanscheibe	Durothan washer								
20	Z111154	Hülse	Bush								
21	Z111155	Gabelkopf	Fork head								
22	Z111156	Bolzen	Bolt								
23	Z111157	Rolle	Roll								
24	Z111158	Distanzscheibe	Distance washer								
25	670138	Sicher.-Scheibe	Locking washer								
26	6581250	Distanzhülse	Distance bush								
27	Z111162	Zyl.-Schraube	Cyl. head screw								
28	Z111293	Spannplatte kpl. best. aus Pos. 29, 30, 31, 32, 33, 34	Backing plate cpl. cons. of pos. 29, 30, 31, 32, 33, 34								
29	Z111294	Grundplatte	Base plate								
30	Z111297	Schnellspanner	Quick acting tightener								
31	21163	Senkschraube	Countersunk screw								
32	237202	Økt.-Mutter	Hexagonal nut								
33	7442380	Zahnscheibe	Tooth lock washer								
34	021359b	Holzschraube	Wood screw								
35	Z111171	Ventil (mit Pos. 36 und 37)	Valve (with pos. 36 and 37)								
36	P12516	Schl.-Verschr.	Hose coupling screw								
37	Z11661	Reduzierstück	Reducer								





1

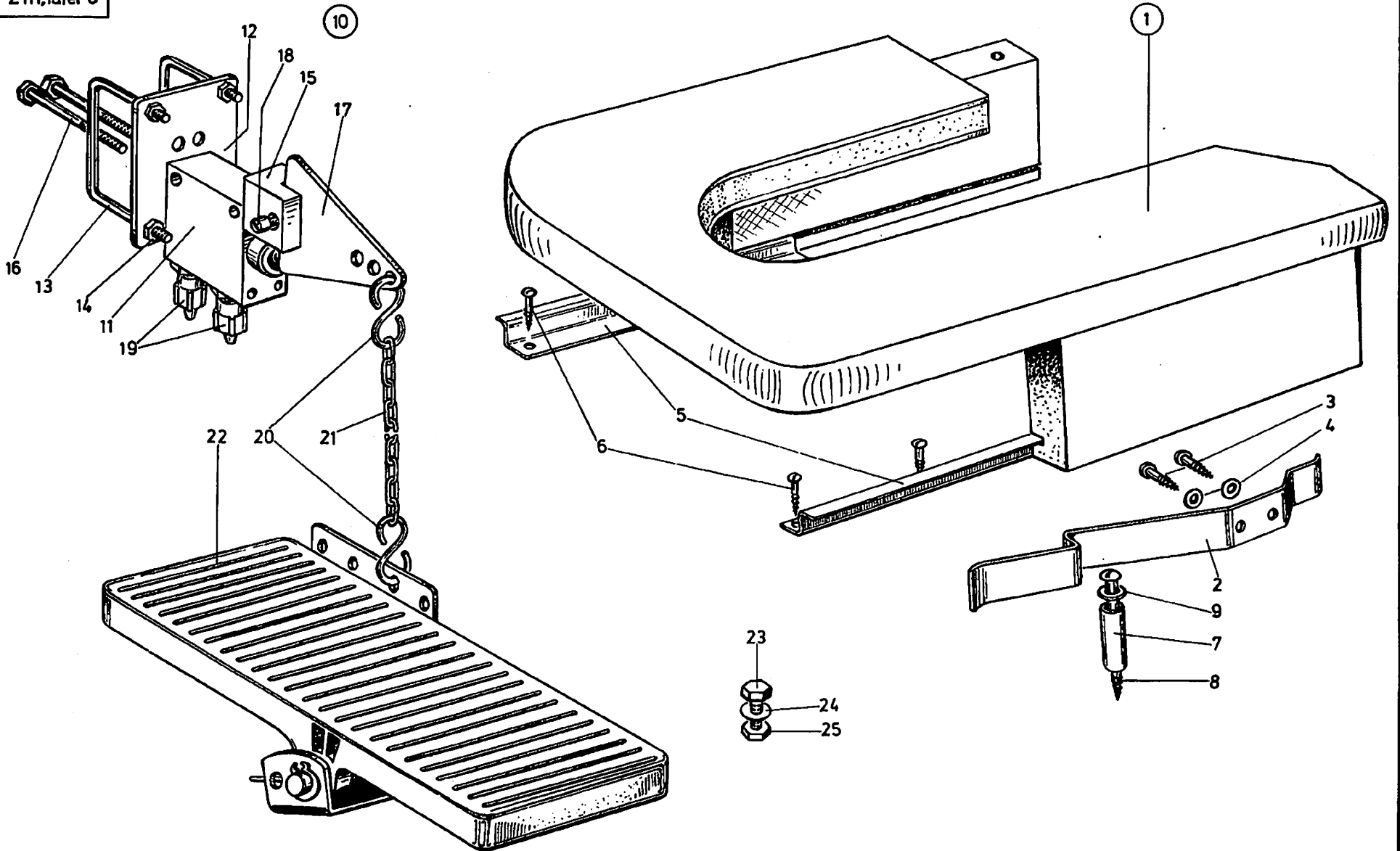


Pos. Det.	Teile Nr. Part No.	Benennung	Denomination
<b>Z111-17</b>			
1	Z111342	Schere kpl. best. aus Pos. 2 bis 49 und Pos. 10 bis 25 von Tafel 6	A pair of scissors cpl. cons. of pos. 2 up to 49 and pos. 10-25 of table 6
2	Z1112	Scherenhalter	Scissors holder
3	Z11110	Schneidblatt (unten)	Lower cutter blade
4	7395347	Senkschraube	Countersunk screw
5	Z11112	Schneidblatt (oben)	Upper cutter blade
6	Z11113	Ansatzschraube	Shoulder screw
7	7391108	Tellerfeder	Cup spring
8	570117	Scheibe	Washer
9	5701287	6kt.-Mutter	Hexagonal nut
10	Z111347	Schutzblech	Guard plate
11	Z111143	Verläng.-Blech	Lengthening plate
12	Z119543	Zepfenschraube	Shank screw
13	Z16542	6kt.-Schraube	Hexagonal screw
14	024275	Scheibe	Washer
15	Z111149	Zylinder	Cylinder
16	74423668	Schl.-Verschr.	Hose coupling screw
17	Z111151	6kt.-Mutter	Hexagonal nut
18	Z111152	Zwischenscheibe	Space washer
19	Z111153	Durethanscheibe	Durethan washer
20	Z111154	Hülse	Bush
21	Z111155	Gabelkopf	Fork head
22	Z111156	Bolzen	Bolt
23	Z111157	Rolle	Roll
24	Z111158	Distenzscheibe	Distance washer
25	570138	Sicher.-Scheibe	Locking ring
26	5581250	Distenzhülse	Distance bush
27	Z111162	Zyl.-Schraube	Cyl. head screw
28	Z111377	Sockel	Base sheet
29	713302	Holzschraube	Wood screw
30	265565	Zyl.-Schraube	Cyl. head screw
31	7461605	Lasche	Shackle
32	74421631	Magnetventil	Solenoid valve
33	74423666	L.-Verschr.	L-hose coupling screw
34	74423666	Schl.-Verschr.	Hose coupling screw
35	549434	Holzschraube	Wood screw
36	7442156	Doppel-Schelle	Double clip
37	7442094	Stahlnagel	Steel nail
38	Z11655	Verteilerstück	Distributor
39	719123	6kt.-Schraube	Hexagonal screw

Pos. Det.	Teile Nr. Part No.	Benennung	Denomination
40	MG8/7 d	6kt.-Mutter	Hexagonal nut
41	024275	Scheibe	Washer
42	Z11661	Reduzierstück	Reducer
43	7422193	T-Verschr.	Swivelling T-hose coupling screw
44	72171	Anschl.-Schlauch best. aus Pos. 45, 46, 47, 48, 49	Coupling hose cons. of pos. 45, 46, 47, 48, 49
45	Z11677	Anschl.-Schlauch	Coupling hose
46	7422096	Schl.-Klemme	Hose clip
47	7441793a	Schl.-Kupplung	Hose coupling
48	7449513	Schlauchtülle	Hose nozzle
49	Z11638	Schlauchtülle	Hose nozzle

Pos. Det.	Teile Nr. Part No.	Benennung	Denomination

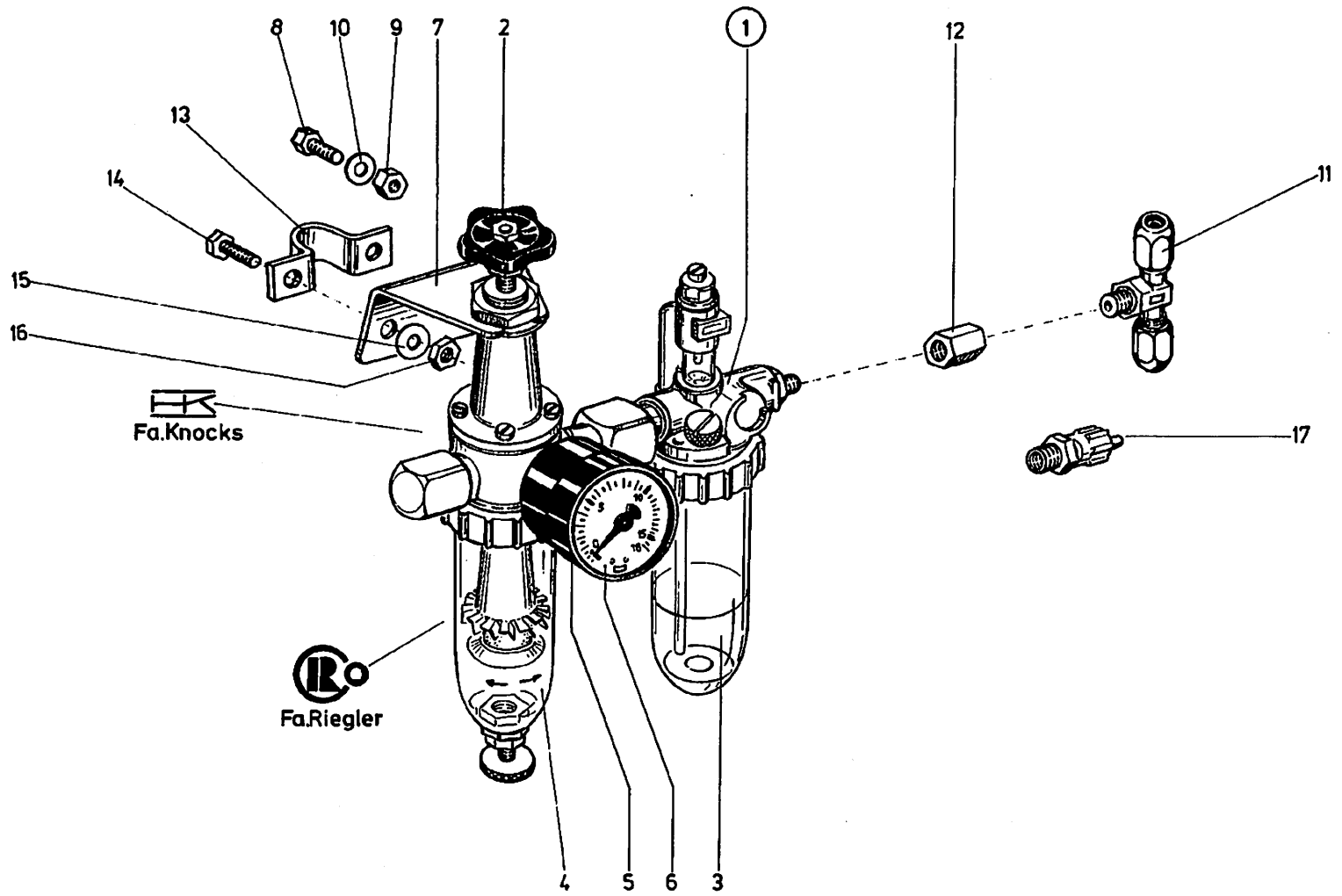
Z111, Tafel 6



Klasse Z111, Tafel 6 — Class Z111, Table 6

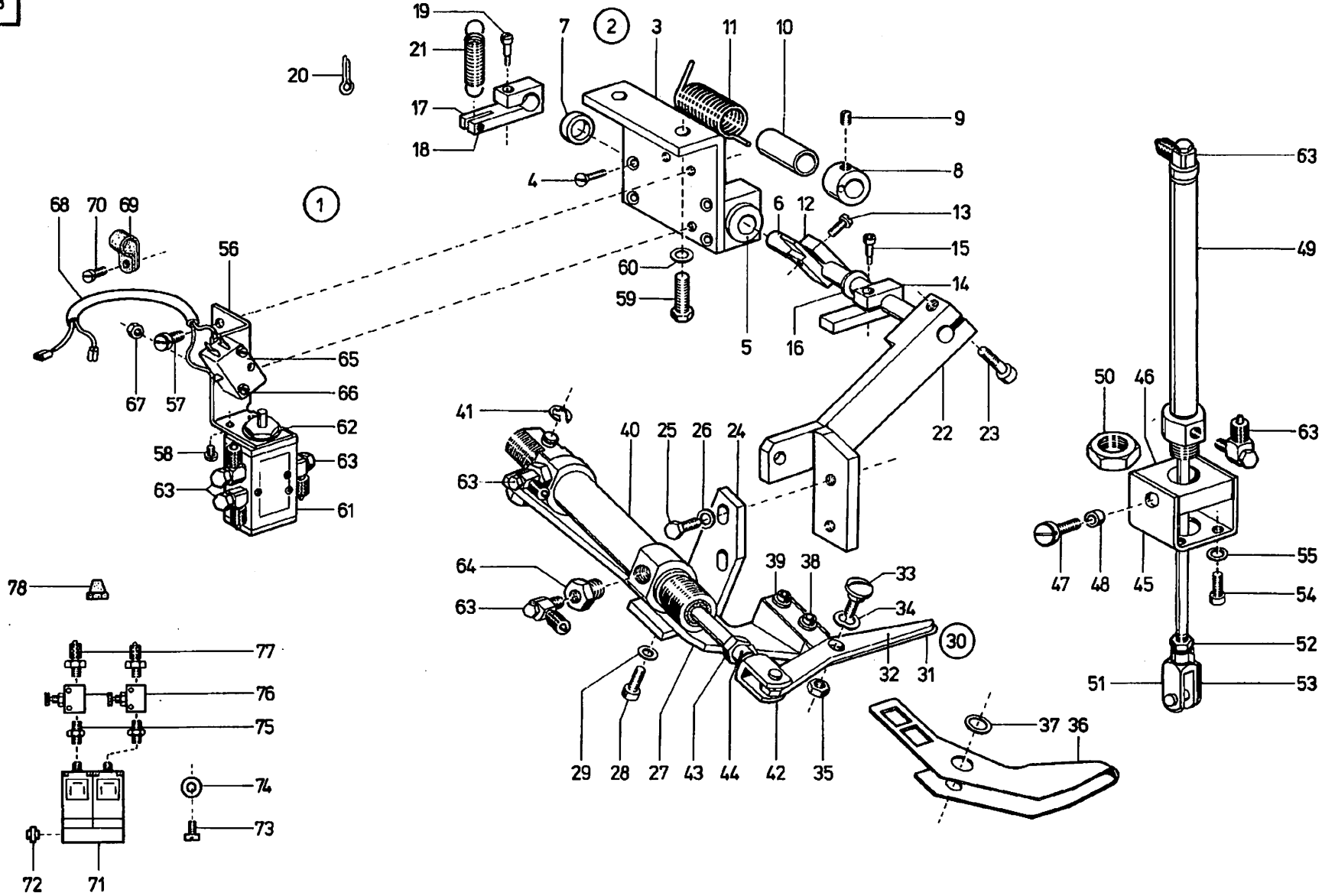
Tafel 6

Pos. Det.	Teile Nr. Part No.	Benennung	Denomination	Pos. Det.	Teile Nr. Part No.	Benennung	Denomination	Pos. Det.	Teile Nr. Part No.	Benennung	Denomination
<b>Z111-17</b>											
1	7001941	Anschlebetisch (mit Pos. 2, 3, 4, 5, 6, 7, 8, 9)	Sliding table (with pos. 2, 3, 4, 5, 6, 7, 8, 9)								
2	5411805	Haltefeder	Retaining spring								
3	5693947	Holzschraube	Wood screw								
4	5511246	Scheibe	Washer								
5	7001954	Führungsschiene	Guide rail								
6	713302	Holzschraube	Wood screw								
7	7001957	Distanzrohr	Distance tube								
8	700647	Holzschraube	Wood screw								
9	557263	Scheibe	Washer								
10	Z126122	Ventil kpl. (best. aus Pos. 11, 12, 13, 14, 15, 16, 17, 18)	Valve cpl. (cons. of pos. 11, 12, 13, 14, 15, 16, 17, 18)								
11	7449317	Ventil	Valve								
12	Z126141	Bef.-Blech	Fastening plate								
13	NBO/1720	Bügel	Bow								
14	MG8/7d	6kt.-Mutter	Hexagonal nut								
15	Z126145	Lagerbock	Pillow block								
16	MG45/90	6kt.-Schraube	Hexagonal screw								
17	Z126148	Hebel	Lever								
18	10019141	Zapfenschraube	Shank screw								
19	P12516	Schl.-Verschr.	Hose coupling								
20	052361	S-Haken	S-hook								
21	052360	Kette 220 lang	Chain 220 long								
22	MG43/2521	Fußtritt	Pedal								
23	MG43/83k	6kt.-Schraube (mit Pos. 24, 25)	Hexagonal screw (with pos. 24, 25)								
24	72043	Schelbe	Washer								
25	72042a	6kt.-Mutter	Hexagonal nut								

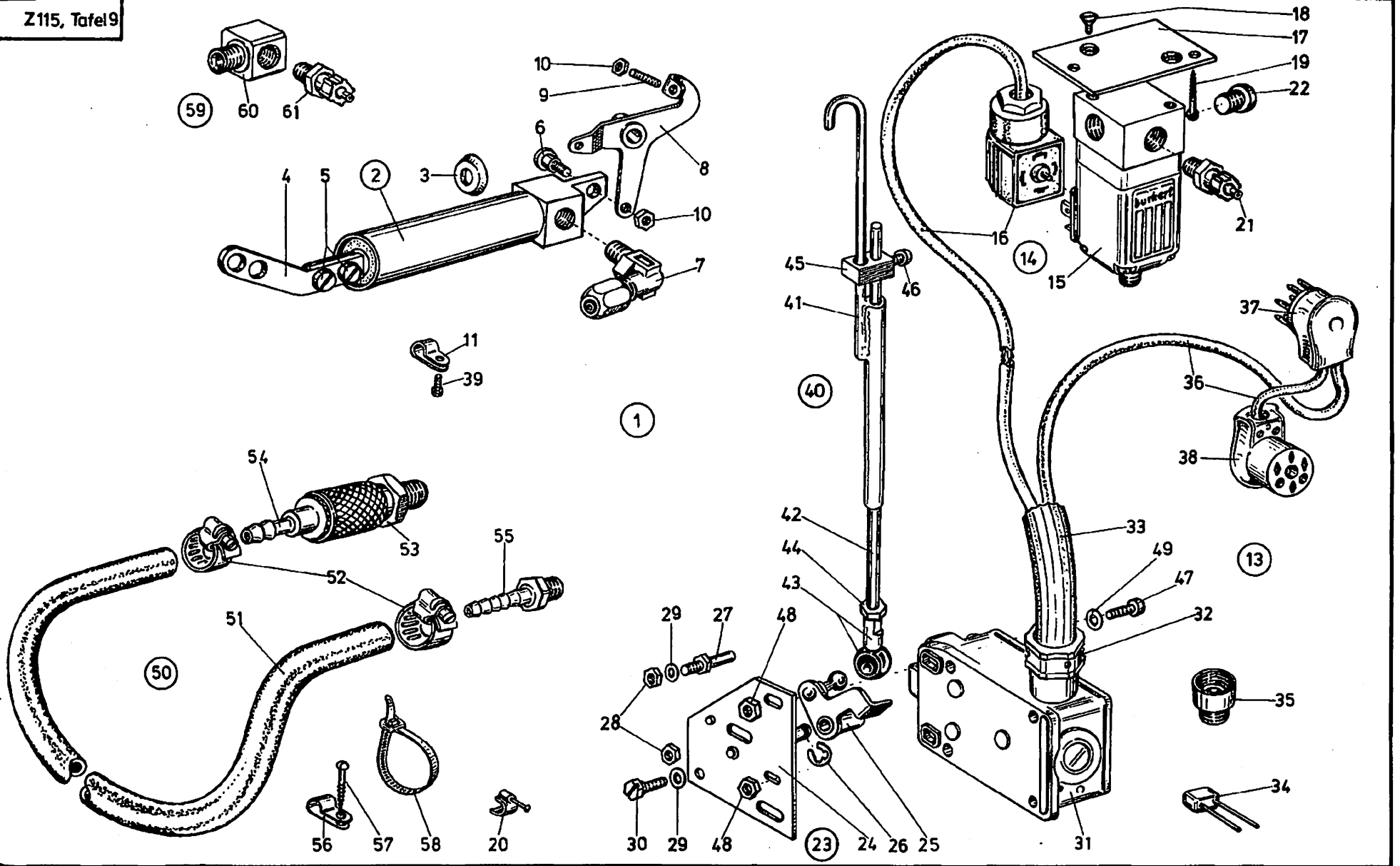




Pos. Det.	Teile Nr. Part No.	Benennung	Denomination	Pos. Det.	Teile Nr. Part No.	Benennung	Denomination	Pos. Det.	Teile Nr. Part No.	Benennung	Denomination
<b>Z111-11, -12, -13, -17</b>											
1	Z1121868	Wertungseinheit (mit Pos. 2, 3, 4, 5, 6)	Conditioning unit (with pos. 2, 3, 4, 5, 6)								
2	7441802b	Handrad *	Hand wheel *								
3	7441804a	Glocke *	Plastic shell *								
4	7441804	Glocke *	Plastic shell *								
5	7441802	Manometer *	Manometer *								
6	7441802a	Manometerglas *	Manometer glass *								
7	72153	Winkel	Fastening square								
8	MG43/36	6kt.-Schraube	Hexagonal screw								
9	72042a	6kt.-Mutter	Hexagonal nut								
10	72043	Scheibe	Washer								
11	74423557	T-Versch.	T-coupling screw								
12	7442528	Muffe	Bushing								
13	7441798	Schelle	Clip								
14	P121110	6kt.-Schraube	Hexagonal screw								
15	557263	Scheibe	Washer								
16	MG43/408	6kt.-Mutter	Hexagonal nut								
17	7441816	Schl.-Verschr.	Hose coupling screw								
		* Bei Bestellung bitte Herstellerfirma angeben Fa. Knocks oder Fa. Riegler	* When ordering, please specify the manu- facturer Messrs. Knocks or Messrs. Riegler								

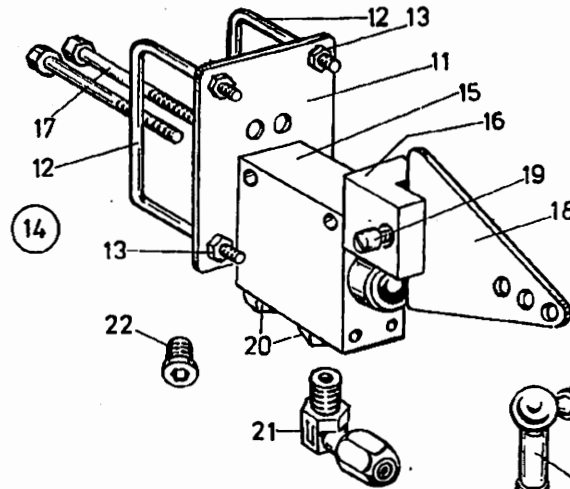
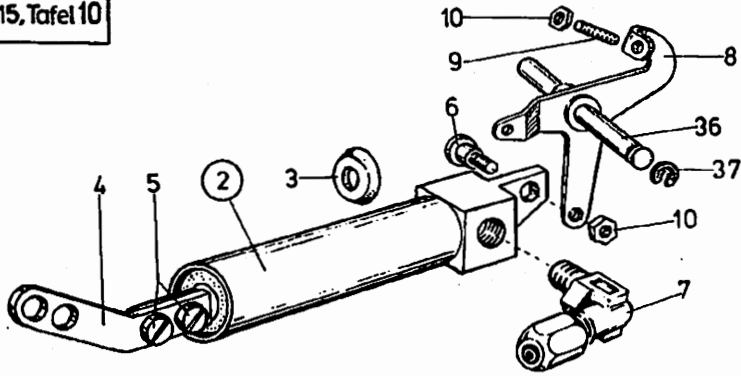


Pos. Det.	Teile Nr. Part No.	Benennung	Denomination	Pos. Det.	Teile Nr. Part No.	Benennung	Denomination	Pos. Det.	Teile Nr. Part No.	Benennung	Denomination
<b>Z 111-238</b>											
1	Z111501	Bandschere kpl. (best. aus Pos. 2 bis 78)	Band scissors cpl. (consist. of pos. 2 up to 78)	32	Z111563	Schere	A pair of scissors	75	7441819	Doppelnippel	Double nipple
2	Z111504	Lagerbock kpl. (best. aus Pos. 3 bis 5)	Pillow block cpl. (consist. of pos. 3 up to 5)	33	5512537	Ansatzschraube	Shoulder screw	76	7441820	Drosselventil	Throttle valve
3	Z111505	Winkel	Angle	34	Z113027	Federschelbe	Spring washer	77	7422238	Verschraubung	Hose coupling screw
4	551987	Senkschraube	Countersunk screw	35	MG43/408	6kt.-Mutter	Hexagonal nut	78	7973191	Schalldämpfer	Silencer
5	7441744	Lager	Bearing	36	Z111567	Schutzblech	Guard plate				
6	Z111511	Welle	Shaft	37	10011163	Scheibe	Washer				
7	MG4/6	Scheibe	Washer	38	7441509	Zyl.-Schraube	Cyl. head screw				
8	Z111516	Stellring kpl. (mit Pos. 9)	Set collar cpl. (with pos. 9)	39	6972399	Scheibe	Washer				
9	147203	Gewindestift	Threaded stud	40	7971526	Zylinder	Cylinder				
10	Z111519	Buchse	Bush	41	7443142	Sicher.-Scheibe	Safety washer				
11	Z111520	Drahfeder	Torsion spring	42	Z124111	Gabelkopf	Fork head				
12	Z111521	Klemmhebel kpl. (mit Pos. 13)	Clamping lever cpl. (with pos. 13)	43	231454	6kt.-Mutter	Hexagonal nut				
13	1001360	Zyl.-Schraube	Cyl. head screw	44	74422393	ES-Bolzen	ES-bolt				
14	Z111525	Klemmhebel kpl. (mit Pos. 15)	Clamping lever cpl. (with pos. 15)	45	Z111581	Halter	Holder				
15	21688	Zyl.-Schraube	Cyl. head screw	46	Z111582	Platte	Plate				
16	216216	Scheibe	Washer	47	22392	Zyl.-Schraube	Cyl. head screw				
17	Z111532	Klemmhebel kpl. (mit Pos. 18 und 19)	Clamping lever cpl. (with pos. 18 and 19)	48	7449034	Rolle	Roll				
18	2653046	Spannstift	Dowel pin	49	7971525	Zylinder	Cylinder				
19	21688	Zyl.-Schraube	Cyl. head screw	50	5571842	6kt.-Mutter	Hexagonal nut				
20	021247b	Splint	Split pin	51	74422392	Gabelkopf	Fork head				
21	Z111538	Zugfeder	Draw spring	52	MG43/408	6kt.-Mutter	Hexagonal nut				
22	Z111541	Hebel kpl. (mit Pos. 23)	Lever cpl. (with pos. 23)	53	74422393	ES-Bolzen	ES-bolt				
23	5701392	Zyl.-Schraube	Cyl. head screw	54	570912	Zyl.-Schraube	Cyl. head screw				
24	Z111548	Winkel	Angle	55	5691895	Scheibe	Washer				
25	225700	6kt.-Schraube	Hexagonal screw	56	Z111601	Winkel	Angle				
26	024275	Scheibe	Washer	57	216601	Zyl.-Schraube	Cyl. head screw				
27	Z111551	Halter	Holder	58	70263	Zyl.-Schraube	Cyl. head screw				
28	265565	Zyl.-Schraube	Cyl. head screw	59	9424686	6kt.-Schraube	Hexagonal screw				
29	024275	Scheibe	Washer	60	557263	Scheibe	Washer				
30	Z111561	Schere kpl. (best. aus Pos. 31 bis 36)	A pair of scissors cpl. (consist. of pos. 31 up to 36)	61	79719	Wegeventil	5/2 directional control valve				
31	Z111562	Schere	A pair of scissors	62	55616076	Scheibe	Washer				
				63	746768	L-Verschraubung	L-coupling screw				
				64	Z120362	Reduziernippel	Reducing nipple				
				65	739878	Mikroschalter	Microswitch				
				66	10019162	Zyl.-Schraube	Cyl. head screw				
				67	5511824	6kt.-Mutter	Hexagonal nut				
				68	Z111664	Leitung	Cable				
				69	94210318	Schelle	Clip				
				70	10019128	Zyl.-Schraube	Cyl. head screw				
				71	797313	Magnetventil	Solenoid valve				
				72	7443572	Steckverbindung	Plug-type connector				
				73	216123	Zyl.-Schraube	Cyl. head screw				
				74	024275	Scheibe	Washer				

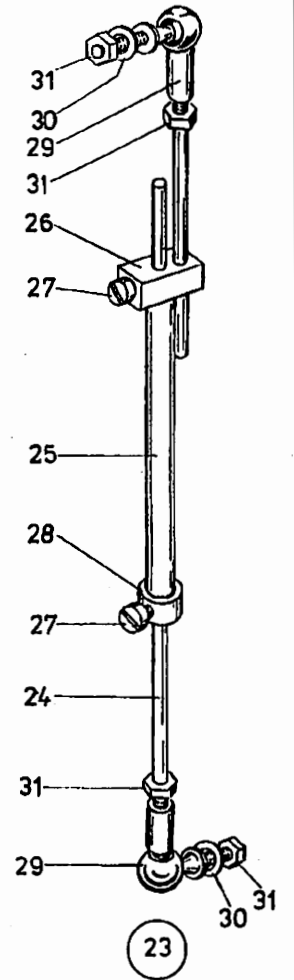
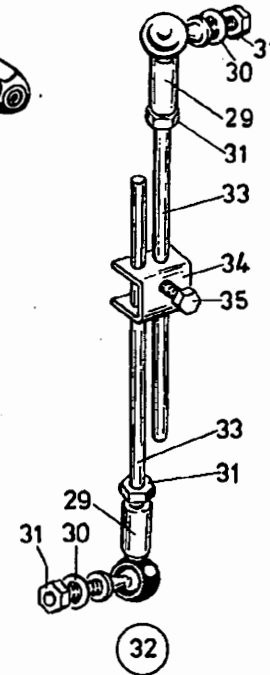
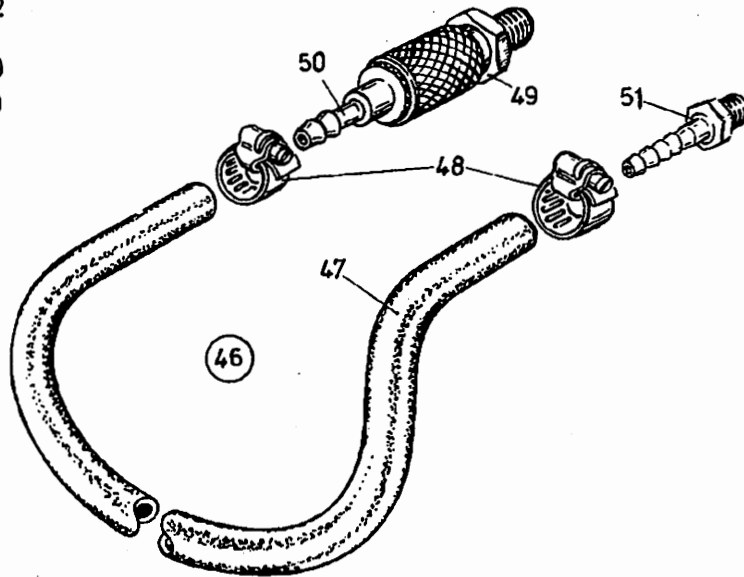
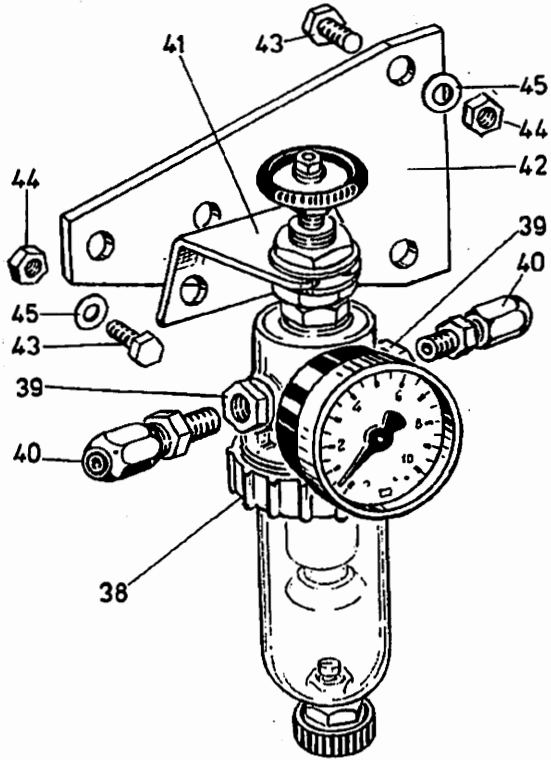


Pos. Det.	Teile Nr. Part No.	Benennung	Denomination	Pos. Det.	Teile Nr. Part No.	Benennung	Denomination	Pos. Det.	Teile Nr. Part No.	Benennung	Denomination
		<b>Z115-1,-2</b>								<b>Z115-2</b>	
		<b>Z115-1</b>									
1	Z115141	Elektro-pneum. Drückerfußlüftung kpl. (best. aus Pos. 2 bis 58)	Electro-pneumatic pressure controlled foot lifting cpl. (cons. of pos. 2 up to 58)	31	MG41/1126	Endtaster	Final touch contact				
2	Z1151	Zylinder (mit Pos. 3, 4, 5, 7)	Cylinder (with pos. 3, 4, 5, 7)	32	7421535	Druckschraube	Pressure screw	59	Z115201	Elektronpneum. Drückerfußlüftung kpl. (best. aus Pos. 2, 3, 4, 5, 6, 7, 9, 10, 60, 61) für Kl. 942-14000	Electro-pneumatic pressure controlled foot lifting cpl. (cons. of pos. 2, 3, 4, 5, 6, 7, 9, 10, 60, 61) for Cl. 942-14000
3	Z1159a	Topfmanschette	Cup collar	33	Z11595	Hebiflex-Schl.	Hebiflex tube	60	7442526	Verteilerstück	Distributor
4	Z11513	Lasche	Shackle	34	739311	Diode	Diode	61	74423566	Schl.-Verschr.	Hose coupling screw
5	270631	Zyl.-Schraube	Cyl. head screw	35	Z11597	Erweiterungsst.	Enlargement piece				
6	Z11525	Ansatzschraube	Shoulder screw	36	Z11598	Leitung (mit Pos. 37 und 38)	Cable (with pos. 37 and 38)				
7	74423556	Winkelverschr.	Square coupling screw	37	MG41/1124	Stecker	6-pole plug				
8	Z11521	Übertrag.-Hebel	Transmission lever	38	739494	Kupplung	Coupling				
9	10019150	Gew.-Stift	Threaded stud	39	21688	Zyl.-Schraube	Cyl. head screw				
10	MG8/7d	6kt.-Mutter	Hexagonal nut	40	Z11561	Gestänge kpl. (best. aus Pos. 41, 42, 43, 44, 45, 46)	Rods cpl. (cons. of pos. 41, 42, 43, 44, 45, 46)				
11	7442208	Schelle	Clip	41	21110832	Gestängeführung	Rods Guidance				
13	Z11531k	Magnetventil kpl. (best. aus Pos. 14, 17, 18, 21, 22, 23, 31, 32, 33, 34, 35, 36)	Solenoid valve cpl. (cons. of pos. 14, 17, 18, 21, 22, 23, 31, 32, 33, 34, 35, 36)	42	MG43/402	Stange	Rod				
14	Z11532a	Magnetventil (mit Pos. 15 und 16)	Solenoid valve (with pos. 15 and 16)	43	211616	Kugelpfanne	Cup				
15	797312	Magnetventil	Solenoid valve	44	MG43/408	6kt.-Mutter	Hexagonal nut				
16	Z11581	Leitung (mit Kabelkopf)	Cable (with cable pot-head)	45	211612	Führungsstück (mit Pos. 46)	Guide piece (with pos. 46)				
17	Z11533a	Platte	Plate	46	556607	Zyl.-Schraube	Cyl. head screw				
18	5892900	Schraube	Screw	47	21646	Zyl.-Schraube	Cyl. head screw				
19	MG41/1364	Holzschraube	Wood screw	48	202704	6kt.-Mutter	Hexagonal nut				
20	P121125	Nagelschelle	Nail clip	49	5691895	Scheibe	Washer				
21	74423566	Schl.-Verschr.	Hose coupling screw	50	72171	Anschlußschlauch kpl. (best. aus Pos. 51, 52, 53, 54, 55)	Coupling hose cpl. (cons. of pos. 51, 52, 53, 54, 55)				
22	P12159	Blindstopfen	Blind plug	51	Z11577	Schlauch	Coupling hose				
23	Z11541k	Platte kpl. (best. aus Pos. 24, 25, 26, 27, 28, 29)	Plate cpl. (cons. of pos. 24, 25, 26, 27, 28, 29)	52	7422096	Schlauchklemme	Hose clip				
24	Z11541	Platte	Plate	53	7441793a	Schl.-Kupplung	Hose coupling screw				
25	Z11551	Hebel	Lever	54	7449513	Schlauchtülle	Hose nozzle				
26	211100a	Sicher.-Scheibe	Safety washer	55	Z11538	Schlauchtülle	Hose nozzle				
27	216359	Gew.-Bolzen	Threaded stud	56	94210318	Schelle	Clip				
28	MG43/408	6kt.-Mutter	Hexagonal nut	57	713302	Holzschraube	Wood screw				
29	557263	Scheibe	Washer	58	Z151302	Insulok-Kabelband	Insulok cable band				
30	7441658	6kt.-Schraube	Hexagonal screw								

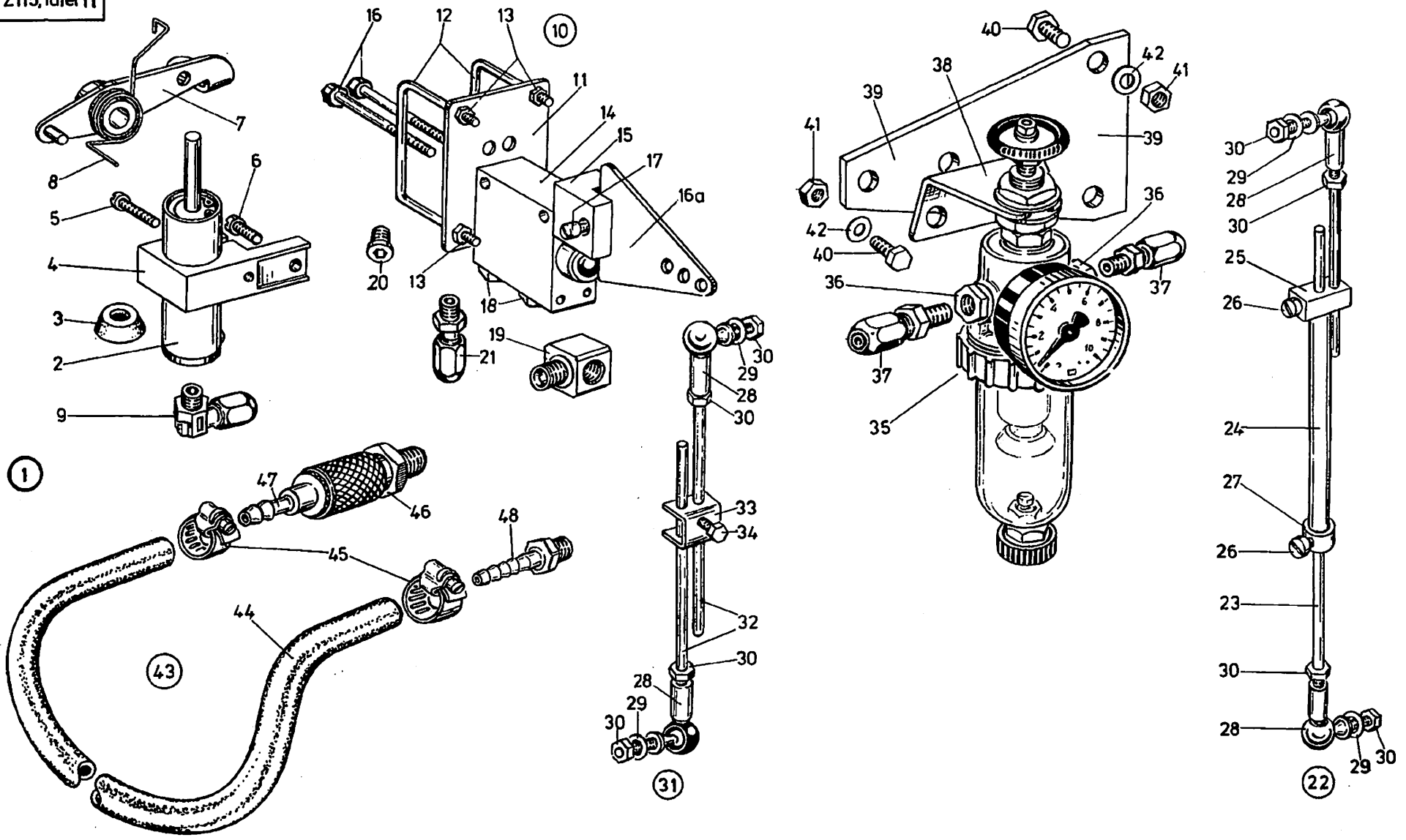




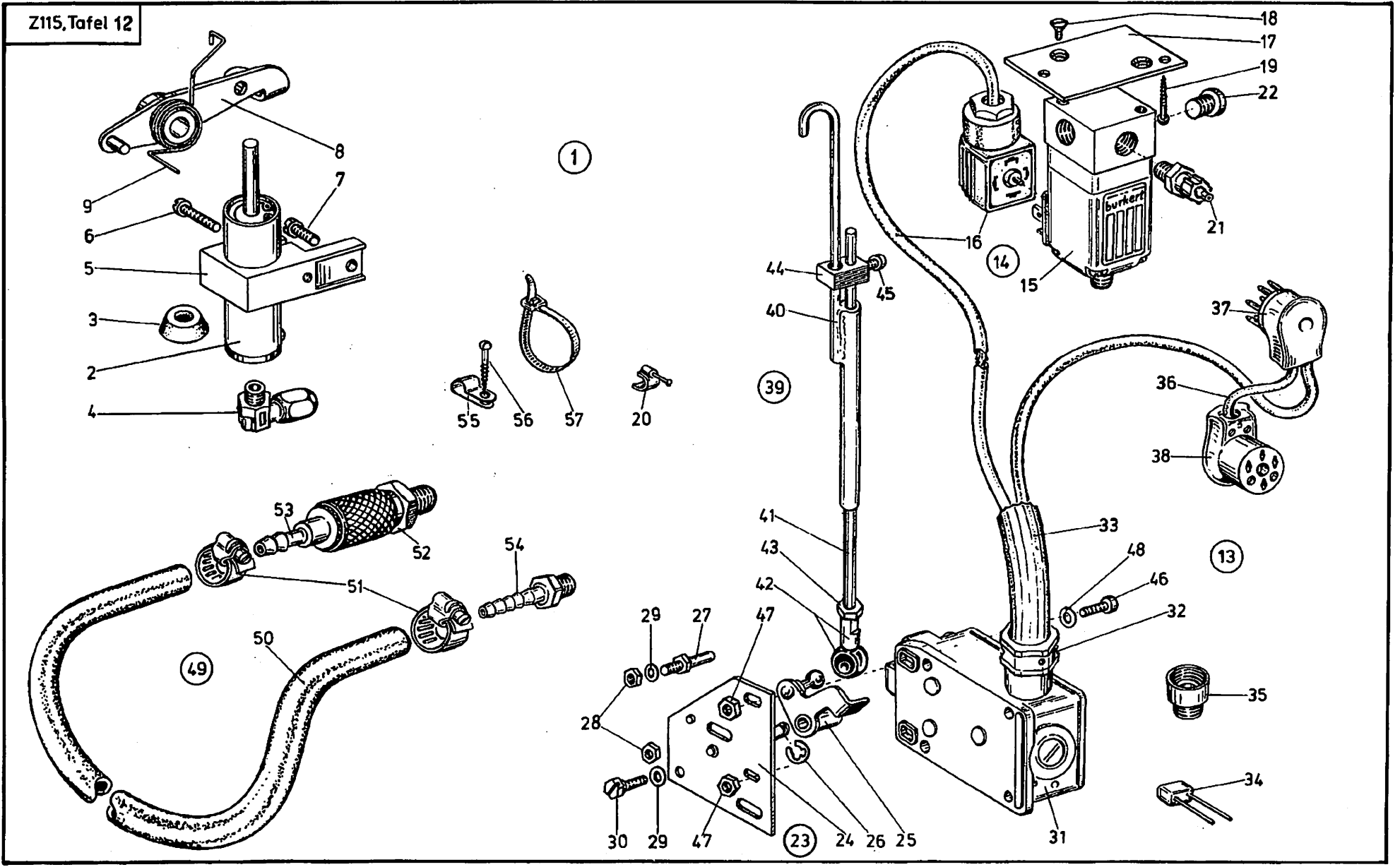
①



Pos. Det.	Teile Nr. Part No.	Benennung	Denomination	Pos. Det.	Teile Nr. Part No.	Benennung	Denomination	Pos. Det.	Teile Nr. Part No.	Benennung	Denomination
<b>Z 115-10</b>				32	Z 128161	Gestänge kpl. (best. aus Pos. 29, 30, 31, 33, 34, 35)	Rods cpl. (cons. of pos. 29, 30, 31, 33, 34, 35)				
1	Z 115601	Pneum. Füßchen- lüftung kpl. (best. aus 2 bis 37)	Pneumatic foot lifting cpl. (consist. of pos. 2 up to 37)	33	Z 126162	Stange	Rod				
2	Z 1151	Zylinder (mit Pos. 3, 4, 5, 7)	Cylinder (with pos. 3, 4, 5, 7)	34	MG 43/403	Klemme	Clamp				
3	Z 1159a	Topfmanschette	Cup collar	35	MG 43/404	6kt.-Schraube	Hexagonal screw				
4	Z 11513	Lasche	Shackle	36	211242	Lagerbolzen	Bearing bolt				
5	270631	Zyl.-Schraube	Cyl. head screw	37	93002119	Sicher.-Ring	Safety ring				
6	Z 11525	Ansatzschraube	Shoulder screw	38	72164	Druckminderventil	Pressure reducing valve				
7	74423656	Winkelversch.	Square coupling screw	39	Z 11661	Reduzierstück	Reducer				
8	Z 11521	Übertrag.-Hebel	Transmission lever	40	74423666	Schl.-Verschr.	Hose coupling screw				
9	10019150	Gew.-Stift	Threaded stud	41	72153	Winkel	Angle				
10	MG 8/7d	6kt.-Mutter	Hexagonal nut	42	5701838	Bef.-Platte	Fastening plate				
11	Z 126141	Bef.-Blach	Fastening plate	43	MG 43/36	6kt.-Schraube	Hexagonal screw				
12	NBO/1720	Bügel	Bow	44	72042a	6kt.-Mutter	Hexagonal nut				
13	MG 8/7d	6kt.-Mutter	Hexagonal nut	45	72043	Scheibe	Washer				
14	Z 126122	Ventil kpl. (best. aus Pos. 11, 12, 13, 15, 16, 17, 18, 19)	Valve cpl. (cons. of pos. 11, 12, 13, 15, 16, 17, 18, 19)	46	72171	Anschlußschlauch kpl. (best. aus Pos. 47, 48, 49, 50, 51)	Coupling hose cpl. (cons. of pos. 47, 48, 49, 50, 51)				
15	7449317	Ventil	Valve	47	Z 11577	Anschl.-Schlauch	Coupling hose				
16	Z 126145	Lagerbock	Pillow block	48	7422096	Schlauchklemme	Hose clip				
17	MG 45/90	6kt.-Schraube	Hexagonal screw	49	7441793a	Schl.-Kupplung	Hose coupling				
18	Z 126148	Hebel	Lever	50	7449513	Schlauchdüse	Hose nozzle				
19	10019141	Zapfenschraube	Pilot screw	51	Z 11538	Schlauchdüse	Hose nozzle				
20	Z 11661	Reduzierstück	Reducer								
21	74423656	Winkelversch.	Square coupling screw								
22	P 12159	Blindstopfen	Blind plug								
23	MG 43/411	Gestänge kpl. (best. aus Pos. 24, 25, 26, 28, 29, 30, 31)	Rods cpl. (cons. of pos. 24, 25, 26, 28, 29, 30, 31)								
24	MG 43/402	Stange	Rod								
25	MG 43/412	Gestängeführung	Rods guidance								
26	Z 11612	Führungstück (mit Pos. 27)	Guide piece (with pos. 27)								
27	556807	Zyl.-Schraube	Cyl. head screw								
28	Z 11593	Stellring (mit Pos. 27)	Set collar (with pos. 27)								
29	5562267	Kugelgelenk	Ball-and-socket joint								
30	MG 43/2510	Scheibe	Washer								
31	MG 43/409	6kt.-Mutter	Hexagonal nut								



Pos. Det.	Teile Nr. Part No.	Benennung	Denomination	Pos. Det.	Teile Nr. Part No.	Benennung	Denomination	Pos. Det.	Teile Nr. Part No.	Benennung	Denomination
		<b>Z115-20</b>									
1	Z115701	Pneum. Fußchen-lüftung kpl. für Maschinen ohne Abschneider (best. aus Pos. 2 bis 34, 43)	Pneumatic foot lifting cpl. for machines without chop-off device (cons. of pos. 2 up to 34, 43)	30	MG43/409	6kt.-Mutter	Hexagonal nut				
2	Z115403	Zylinder (mit Pos. 3)	Cylinder (with pos. 3)	31	Z126151	Gestänge kpl. (best. aus Pos. 2, 29, 30, 32, 33, 34)	Rods cpl. (cons. of pos. 28, 29, 30, 32, 33, 34)				
3	Z1159a	Topfmanschette	Cup collar	32	Z126152	Stange	Rod				
4	Z115422	Kloben (mit Pos. 5)	Block (with pos. 5)	33	MG43/403	Klemme	Clamping				
5	216377	Zyl.-Schraube	Cyl. head screw	34	MG43/404	6kt.-Schraube	Hexagonal screw				
6	213370	Zyl.-Schraube	Cyl. head screw	35	72164	Druckminderventil	Pressure reducing valve				
7	Z115427	Hebel	Lever	36	Z11661	Reduzierstück	Reducer				
8	Z115408	Drehfeder	Torsion spring	37	74423566	Schl.-Verschr.	Hose coupling screw				
9	74423556	Winkerverschr.	Square coupling screw	38	72153	Winkel	Angle				
10	Z116122	Ventil kpl. (mit Pos. 11 bis 17)	Valve cpl. (with pos. 11 up to 17)	39	5701836	Bef.-Platte	Fastening plate				
11	Z126141	Bef.-Blech	Fastening plate	40	MG43/36	6kt.-Schraube	Hexagonal screw				
12	NBO/1720	Bügel	Bow	41	72042a	6kt.-Mutter	Hexagonal nut				
13	MG8/7d	6kt.-Mutter	Hexagonal nut	42	72043	Scheibe	Washer				
14	7449317	Ventil	Valve	43	72171	Anschlußschlauch kpl. (mit Pos. 44 bis 48)	Coupling hose cpl. (with pos. 44 up to 48)				
15	Z126145	Lagerbock	Pillow block	44	Z11577	Anschl.-Schlauch	Coupling hose				
16	MG45/90	6kt.-Schraube	Hexagonal screw	45	7422096	Schlauchklemme	Hose clip				
16a	Z126148	Hebel	Lever	46	7441793a	Schl.-Kupplung	Hose coupling				
17	10019141	Zapfenschraube	Pilot screw	47	7449513	Schlauchdüse	Hose nozzle				
18	Z11661	Reduzierstück	Reducer	48	Z11538	Schlauchdüse	Hose nozzle				
19	7442526	Verteiler	Distributor								
20	P12159	Blindstopfen	Blind plug								
21	74423566	Schl.-Verschr.	Hose coupling screw								
22	MG43/411	Gestänge kpl. (best. aus Pos. 23 bis 30)	Rods cpl. (cons. of pos. 23 up to 30)								
23	MG43/402	Stange	Rod								
24	MG43/412	Gestängeführung	Rods guidance								
25	211612	Führungsstück (mit Pos. 26)	Guide piece (with pos. 26)								
26	536607	Zyl.-Schraube	Cyl. head screw								
27	211593	Stellring (mit Pos. 26)	Set collar (with pos. 26)								
28	5562267	Kugelgelenk	Ball-and-socket joint								
29	MG43/2510	Scheibe	Washer								



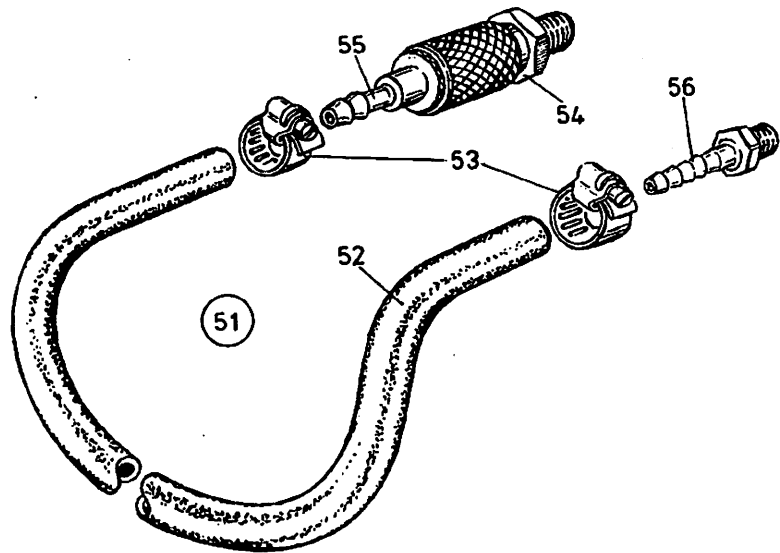
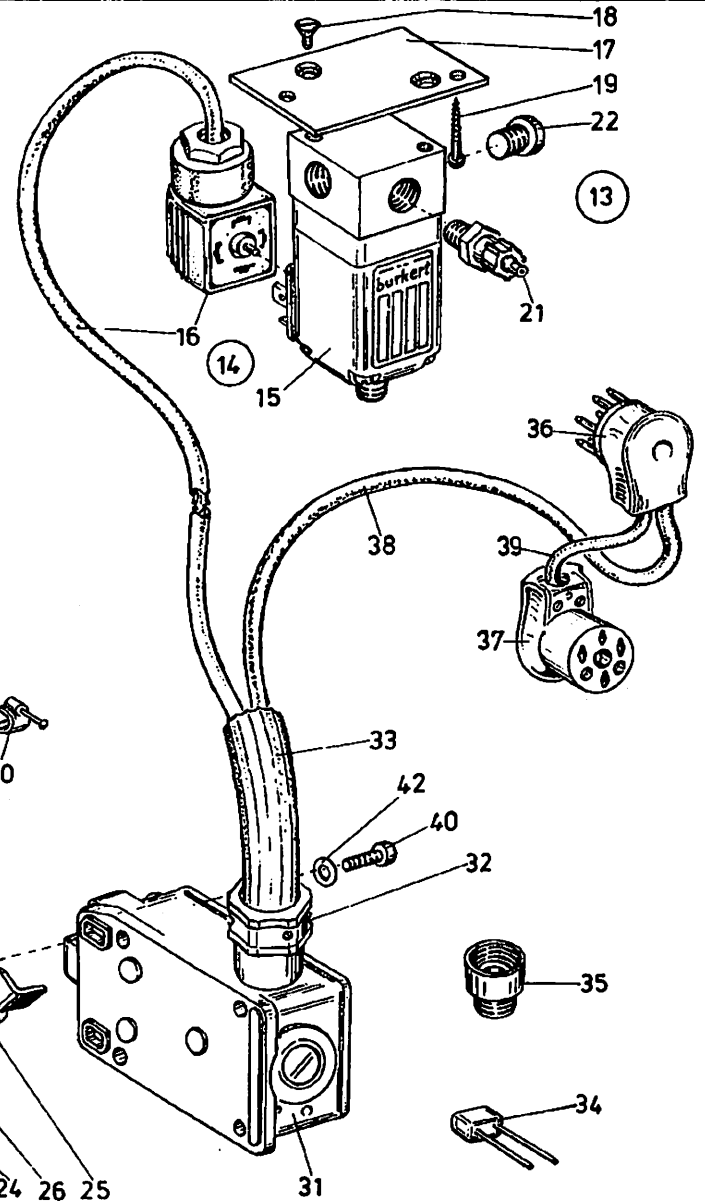
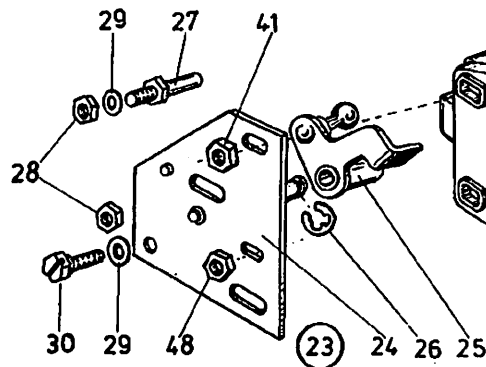
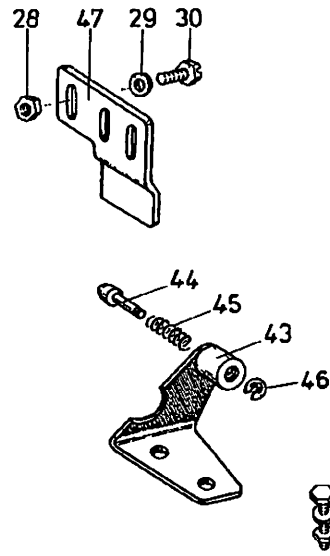
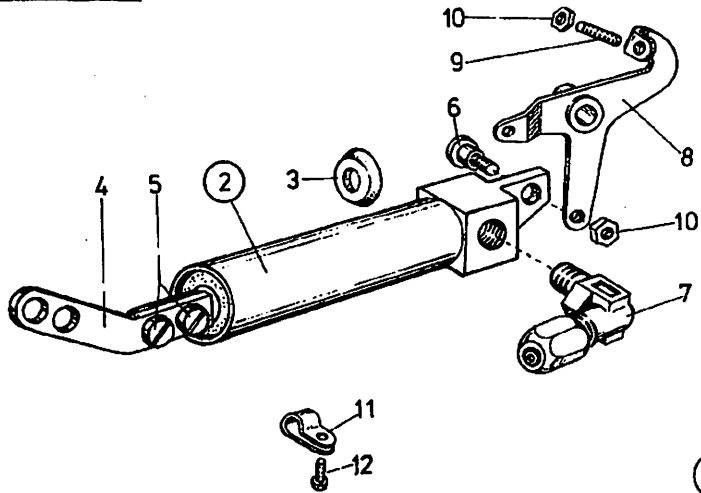


Klasse Z115, Tafel 12 — Class Z115, Table 12

Tafel 12

Pos. Det.	Teile Nr. Part No.	Benennung	Denomination	Pos. Det.	Teile Nr. Part No.	Benennung	Denomination	Pos. Det.	Teile Nr. Part No.	Benennung	Denomination
		<b>Z 115-21</b>									
1	Z115401	Elektropneum. Drück- fußlüftung kpl.	Electro-pneumatic pressure controlled foot- lifting cpl.	35	Z11597	Erweiterungsst.	Enlargement piece				
		(best. aus Pos. 2 bis 57)	(cons. of pos. 2 to 57)	36	Z11598	Leitung (mit Pos. 37 und 38)	Cable (with pos. 37 and 38)				
2	Z115403	Zylinder (mit Pos. 3)	Cylinder (with pos. 3)	37	MG41/1124	Stecker	6-pole plug				
3	Z1159a	Topfmanschette	Cup collar	38	739494	Kupplung	Coupling				
4	74423556	Schl.-Verschr.	Hose coupling screw	39	Z11561	Gestänge kpl. (best. aus Pos. 40, 41, 42, 43, 44, 45)	Rods cpl. (cons. of pos. 40, 41, 42, 43, 44, 45)				
5	Z115422	Kloben (mit Pos. 6)	Block (with pos. 6)	40	21110832	Gestängeführung	Rods guidance				
6	216377	Zyl.-Schraube	Cyl. head screw	41	MG43/402	Stange	Rod				
7	213370	Zyl.-Schraube	Cyl. head screw	42	211616	Kugelpfanne	Cup				
8	Z115427	Hebel	Lever	43	MG43/408	6kt.-Mutter	Hexagonal nut				
9	Z115408	Drehfeder	Torsion spring	44	211612	Führungsstück (mit Pos. 46)	Guide piece (with pos. 46)				
13	Z11531k	Magnetventil kpl. (best. aus Pos. 14, 17, 18, 21, 22, 23, 31, 32, 33, 34, 35, 36)	Solenoid valve cpl. (cons. of pos. 14, 17, 18, 21, 22, 23, 31, 32, 33, 34, 35, 36)	45	556607	Zyl.-Schraube	Cyl. head screw				
14	Z11532a	Magnetventil (mit Pos. 15 und 16)	Solenoid valve (with pos. 15 and 16)	46	21646	Zyl.-Schraube	Cyl. head screw				
15	797312	Magnetventil	Solenoid valve	47	202704	6kt.-Mutter	Hexagonal nut				
16	Z11581	Leitung mit Kabelkopf	Cable with cable pothead	48	5891895	Scheibe	Washer				
17	Z11533a	Platte	Plate			<b>Z 115-21</b>					
18	5692900	Schraube	Screw	49	72171	Anschlußschlauch kpl. (mit Pos. 50, 52, 53, 54)	Coupling hose cpl. (with pos. 50, 52, 53, 54)				
19	MG41/1364	Holzschraube	Wood screw	50	Z11577	Anschl.-Schlauch	Coupling hose				
20	P121125	Nagelschelle	Nail clip	51	7422096	Schlauchklemme	Hose clip				
21	74423566	Schl.-Verschr.	Hose coupling screw	52	7441793a	Schl.-Kupplung	Hose coupling				
22	P12159	Blindstopfen	Blind plug	53	7449513	Schlauchdüse	Hose nozzle				
23	Z11541k	Platte kpl. (best. aus Pos. 24, 25, 26, 27, 28, 29)	Plate cpl. (cons. of pos. 24, 25, 26, 27, 28, 29)	54	Z11538	Schlauchdüse	Hose nozzle				
24	Z11541	Platte	Plate	55	94210318	Schelle	Clip				
25	Z11551	Hebel	Lever	56	713302	Holzschraube	Wood screw				
26	211100a	Sicher.-Scheibe	Safety washer	57	Z151302	Insulok-Kabelband	Insulok-cable band				
27	216359	Gew.-Bolzen	Threaded bolt								
28	MG43/408	Mutter	Nut								
29	557263	Scheibe	Washer								
30	7441658	6kt.-Schraube	Hexagonal screw								
31	MG41/1126	Endtaster	Final touch contact								
32	7421535	Druckschraube	Pressure screw								
33	Z11595	Hebiflex-Schlauch	Hebiflex-tube								
34	739311	Diode	Diode								

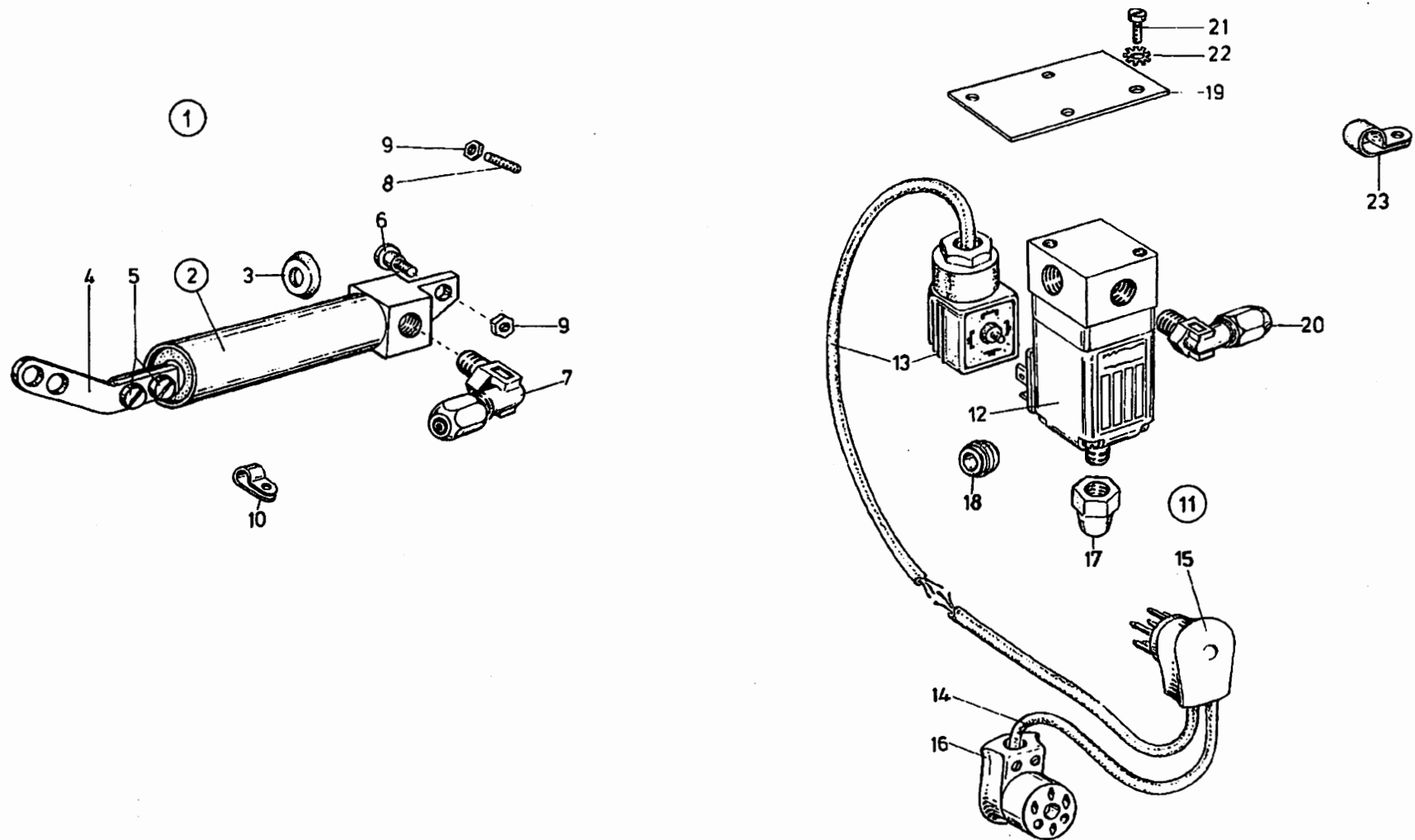




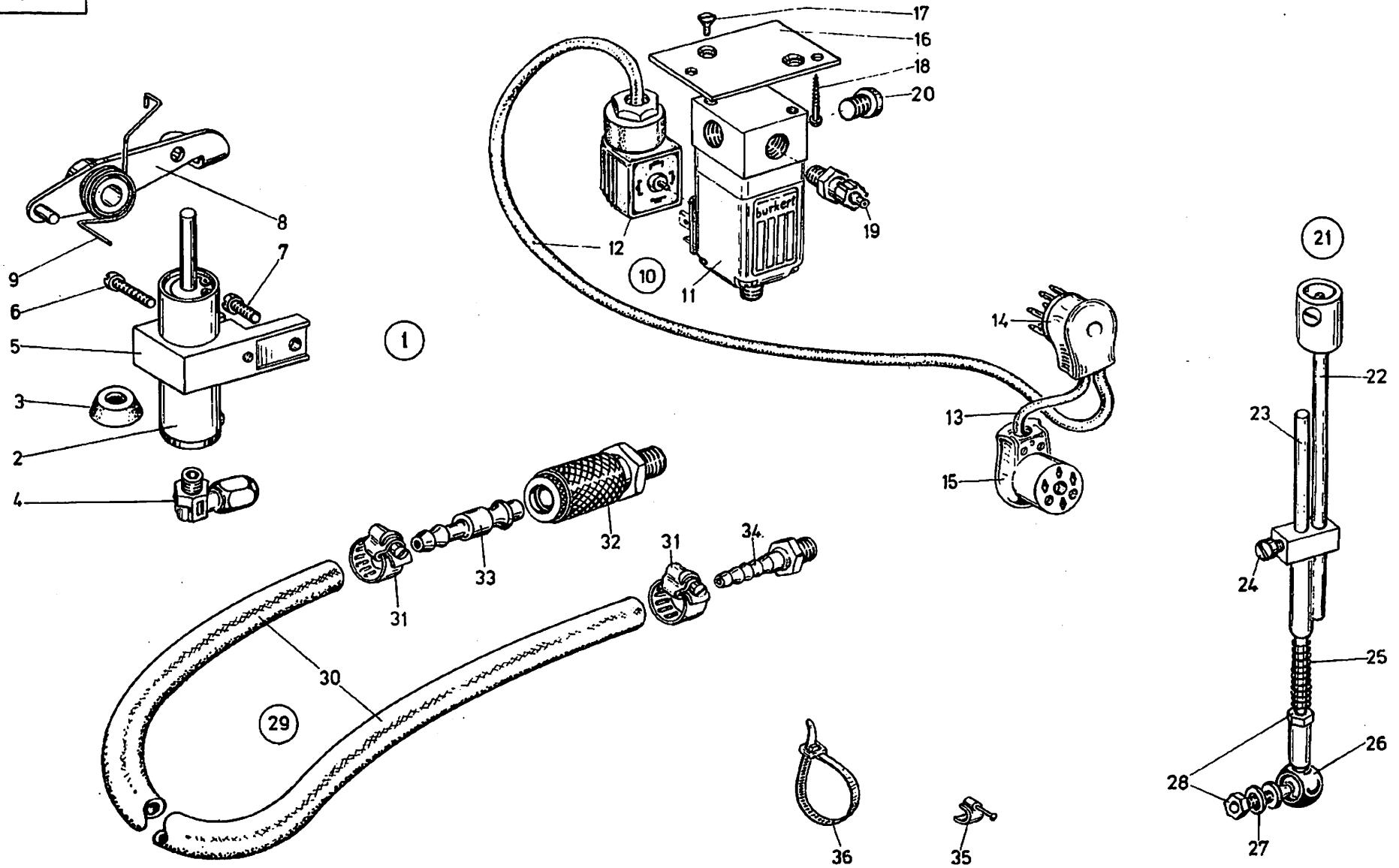
Pos. Det.	Teile Nr. Part No.	Benennung	Denomination
		<b>Z 115-51</b>	
1	Z 115441	Pneum. Drückerfuß- lüftung kpl. (best. aus Pos. 2 bis 56)	Pneumatic pressure controlled foot lifting cpl. (cons. of pos. 2 up to 56)
2	Z 1151	Zylinder (mit Pos. 3, 4, 5, 7)	Cylinder (with pos. 3, 4, 5, 7)
3	Z 1159a	Topfmanschette	Cup collar
4	Z 11513	Lasche	Shackle
5	270631	Zyl.-Schraube	Cyl. head screw
6	Z 11525	Ansatzschraube	Shoulder screw
7	74423556	Winkelverschr.	Square coupling screw
8	Z 11521	Übertrag.-Hebel	Transmission lever
9	10019150	Gew.-Stift	Threaded stud
10	MG8/7d	6kt.-Mutter	Hexagonal nut
11	7442208	Schelle	Clip
12	Z 115448	Zyl.-Schraube	Cyl. head screw
13	Z 115448	Magnetventil kpl. (best. aus Pos. 14 und 31 bis 39)	Solenoid valve cpl. (cons. of pos. 14 and 31 up to 39)
14	Z 11532a	Magnetventil (mit Pos. 15 und 16)	Solenoid valve (with pos. 15 and 16)
15	797312	Magnetventil	Solenoid valve
16	Z 11581	Leitung (mit Kabelkopf)	Cable (with cable pot-head)
17	Z 11533a	Bef.-Platte	Fastening plate
18	5692900	Senkschraube	Countersunk screw
19	MG41/1364	Holzschraube	Wood screw
20	P121125	Nagelschelle	Nail clip
21	74423586	Schl.-Verschr.	Hose coupling screw
22	P12159	Blindstopfen	Blind plug
23	Z 11541k	Platte kpl. (best. aus Pos. 24, 25, 26, 27, 28, 29)	Plate cpl. (cons. of pos. 24, 25, 26, 27, 28, 29)
24	Z 11541	Platte	Plate
25	Z 11551	Hebel	Lever
26	Z 11100a	Sicher.-Scheibe	Safety washer
27	Z 16359	Gew.-Bolzen	Threaded stud
28	MG43/408	6kt.-Mutter	Hexagonal nut
29	557263	Scheibe	Washer
30	7441658	6kt.-Schraube	Hexagonal screw
31	MG41/1128	Endtaster	Final touch contact
32	7421535	Druckschraube	Pressure screw

Pos. Det.	Teile Nr. Part No.	Benennung	Denomination
33	Z 11595	Hebiflex-Schlauch	Hebiflex-tube
34	739311	Diode	Diode
35	Z 11597	Erweiterungsstück	Enlargement piece
36	MG41/1124	Stecker	6-pole plug
37	739494	Kupplung	Coupling
38	Z 115447	Leitung (lang)	Long cable
39	Z 115448	Leitung (kurz)	Short cable
40	21646	Zyl.-Schraube	Cyl. head screw
41	202704	6kt.-Mutter	Hexagonal nut
42	5691895	Scheibe	Washer
43	21110821	Winkel	Angle
44	21110824	Kugelbolzen	Bell pin
45	5292663	Druckfeder	Pressure spring
46	5511094	Sicher.-Scheibe	Safety washer
47	21110816	Arretierplatte	Arrester plate
48	MG43/36	6kt.-Schraube	Hexagonal screw
49	72043	Scheibe	Washer
50	72042a	6kt.-Mutter	Hexagonal nut
51	72171	Anschlußschlauch kpl. (mit Pos. 52 bis 56)	Coupling hose cpl. (with pos. 52 up to 56)
52	Z 11577	Anschl.-Schlauch	Coupling hose
53	7422096	Schlauchklemme	Hose clip
54	7441793a	Schl.-Kupplung	Hose coupling
55	7449513	Schlauchtülle	Hose nozzle
56	Z 11538	Schlauchtülle	Hose nozzle

Pos. Det.	Teile Nr. Part No.	Benennung	Denomination
-----------	--------------------	-----------	--------------

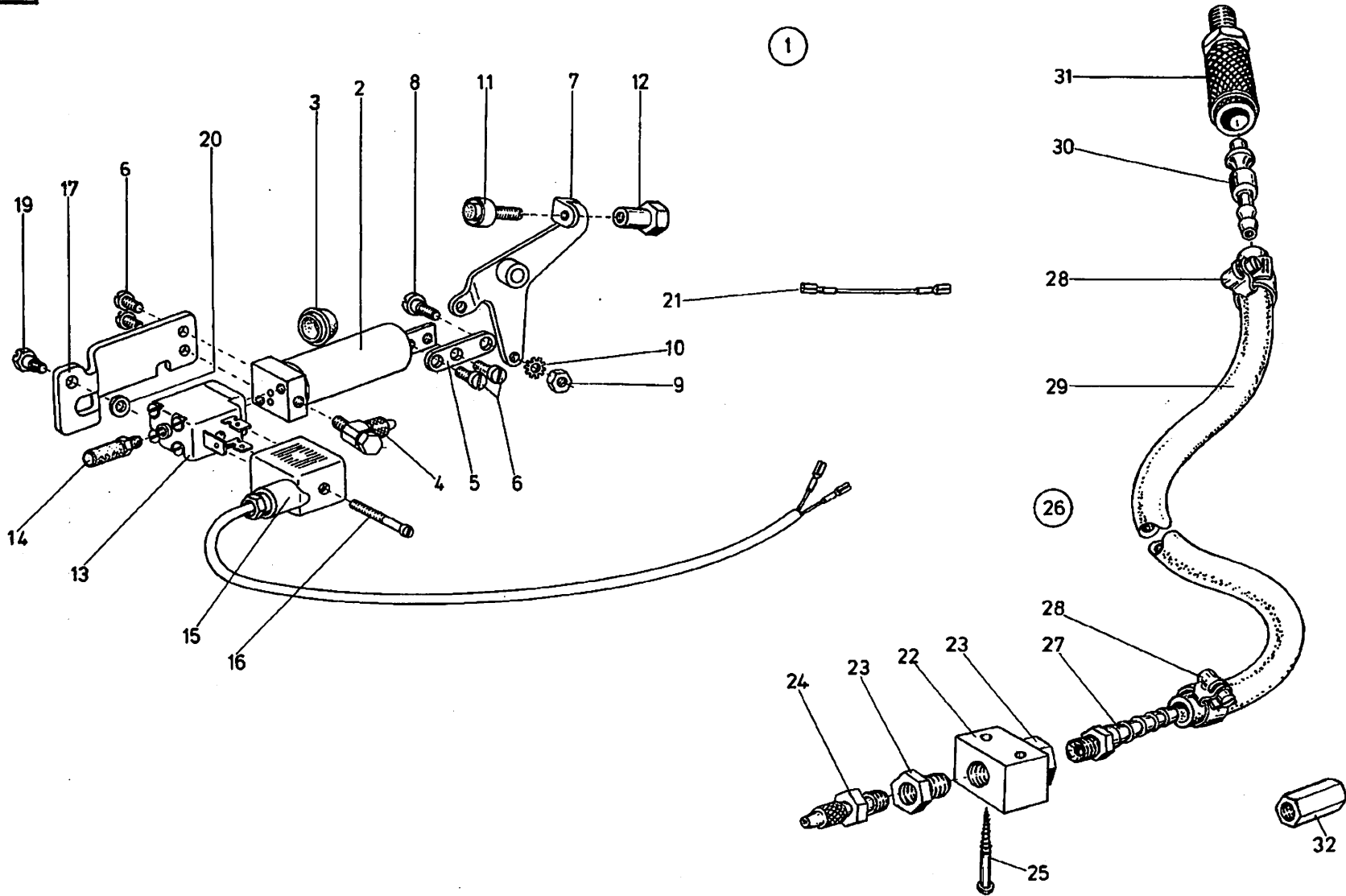


Pos. Det.	Teile Nr. Part No.	Benennung	Denomination	Pos. Det.	Teile Nr. Part No.	Benennung	Denomination	Pos. Det.	Teile Nr. Part No.	Benennung	Denomination
<b>Z 115-103</b>											
1	Z115541	Elektro-pneumatische Fußchenlüftung kpl. (best. aus Pos. 2 bis 23)	Electro-pneumatic foot lifting cpl. (cons. of pos. 2 up to 23)								
2	Z1151	Zylinder (mit Pos. 3, 4, 5, 7)	Cylinder (with pos. 3, 4, 5, 7)								
3	Z1159a	Topfmanschette	Cup collar								
4	Z11513	Lasche	Shackle								
5	270631	Zyl.-Schraube	Cyl. head screw								
6	Z11525	Ansatzschraube	Shoulder screw								
7	74423556	Winkelverschr.	Square coupling screw								
8	10019150	Gew.-Stift	Threaded stud								
9	MG8/7d	6kt.-Mutter	Hexagonal nut								
10	7442208	Schelle	Clip								
11	Z115514	Magnetventil kpl. (mit Pos. 12, 13, 14, 15, 16)	Solenoid valve cpl. (with pos. 12, 13, 14, 15, 16)								
12	797312	Magnetventil	Solenoid valve								
13	Z115511	Leitung (mit Kabelkopf)	Cable (with cable pot-head)								
14	Z127762	Leitung	Cable								
15	MG41/1124	Stecker	6-pole plug								
16	739494	Kupplung	Coupling								
17	7973191	Schellldämpfer	Silencer								
18	7443572	Steckverbindung	Plug-in connection								
19	Z115546	Blech	Plate								
20	74423556	Winkelverschr.	Square coupling screw								
21	216123	Zyl.-Schraube	Cyl. head screw								
22	MG43/2950a	Fächerschelbe	Fan shaped washer								
23	93311424	Schelle	Clip								

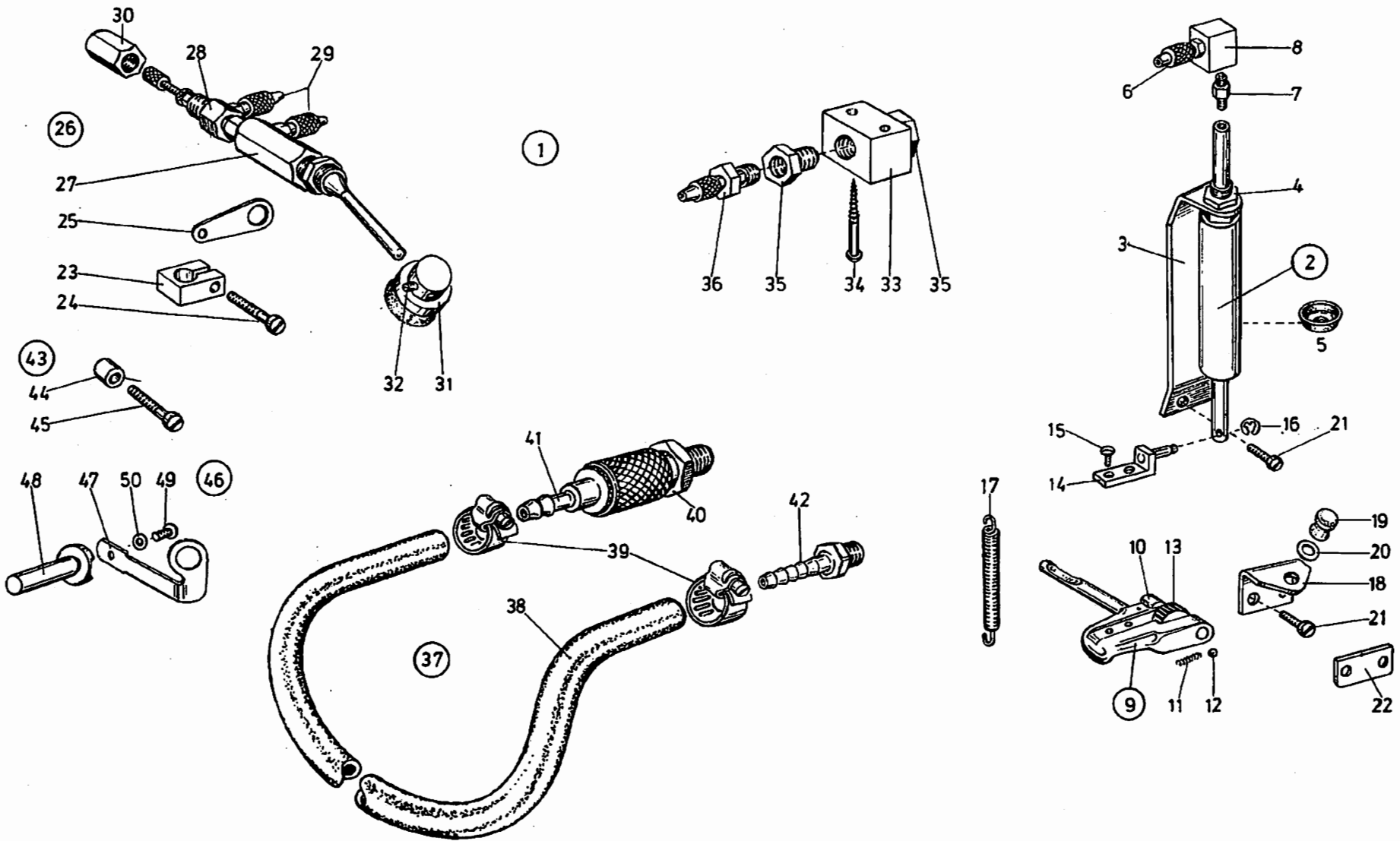


Pos. Det.	Teile Nr. Part No.	Benennung	Denomination	Pos. Det.	Teile Nr. Part No.	Benennung	Denomination	Pos. Det.	Teile Nr. Part No.	Benennung	Denomination
<b>Z 115-121</b>				33	7449513	Schlauchtülle	Hose nozzle				
1	Z115801	Elektro-pneumatische Drückerfußlüftung kpl. (best. aus Pos. 2 bis 36)	Electro-pneumatic pressure controlled foot lifting cpl. (cons. of pos. 2 up to 36)	34	Z11538	Schlauchtülle	Hose nozzle				
2	Z115403	Zylinder (mit Pos. 3)	Cylinder (with pos. 3)	35	P121125	Nagelschelle	Nail clip				
3	Z1159a	Topfmanschette	Cup collar	36	7441978	Kabelband	Cable band				
4	74423556	Schl.-Verschr.	Hose coupling screw								
5	Z115422	Kloben (mit Pos. 6)	Block (with pos. 6)								
6	216377	Zyl.-Schraube	Cyl. head screw								
7	213370	Zyl.-Schraube	Cyl. head screw								
8	Z115427	Hebel	Lever								
9	Z115408	Drehfeder	Torsion spring								
10	Z115514	Magnetventil kpl. (mit Pos. 11 bis 15)	Solenoid valve cpl. (with pos. 11 up to 15)								
11	797312	Magnetventil	Solenoid valve								
12	Z115511	Leitung (mit Kabelkopf)	Cable (with cable pot-head)								
13	Z127762	Leitung	Cable								
14	MG41/1124	Stecker	6-pole plug								
15	739494	Kupplung	Coupling								
16	Z11533a	Platte	Plate								
17	5692900	Senkschraube	Countersunk screw								
18	MG41/1354	Holzschraube	Wood screw								
19	74423556	Schl.-Verschr.	Hose coupling screw								
20	P12159	Blindstopfen	Blind plug								
21	MG43/431	Gestänge kpl. (best. aus Pos. 22 bis 28)	Rods cpl. (cons. of pos. 22 up to 28)								
22	MG43/432	Gestängeführung	Rods guidance								
23	21110801	Stange	Rod								
24	556607	Zyl.-Schraube	Cyl. head screw								
25	570562	Druckfeder	Pressure spring								
26	5562267	Kugelgelenk	Spherical joint								
27	MG43/2510	Scheibe	Washer								
28	MG43/409	6kt.-Mutter	Hexagonal nut								
29	72171	Anschlußschlauch kpl. (mit Pos. 30 bis 34)	Coupling hose cpl. (with pos. 30 up to 34)								
30	Z11577	Anschl.-Schlauch	Coupling hose								
31	7422098	Klemme	Hose clip								
32	7441793a	Schl.-Kupplung	Hose coupling								





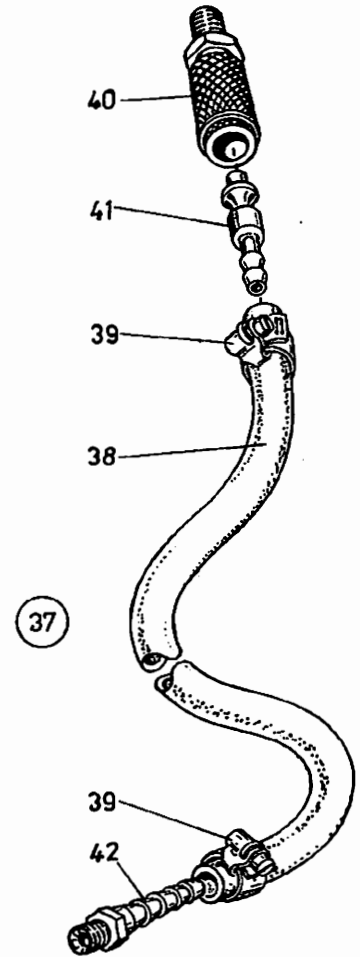
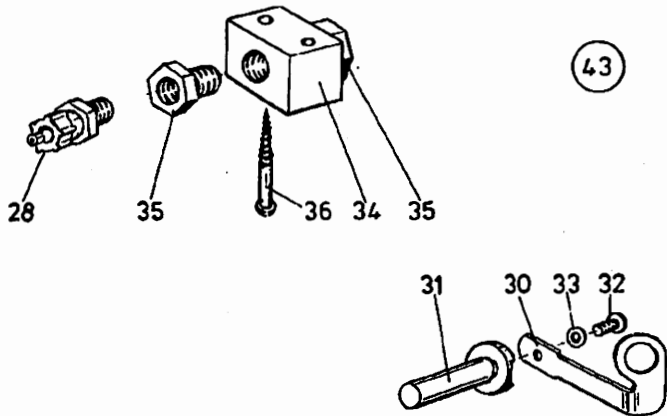
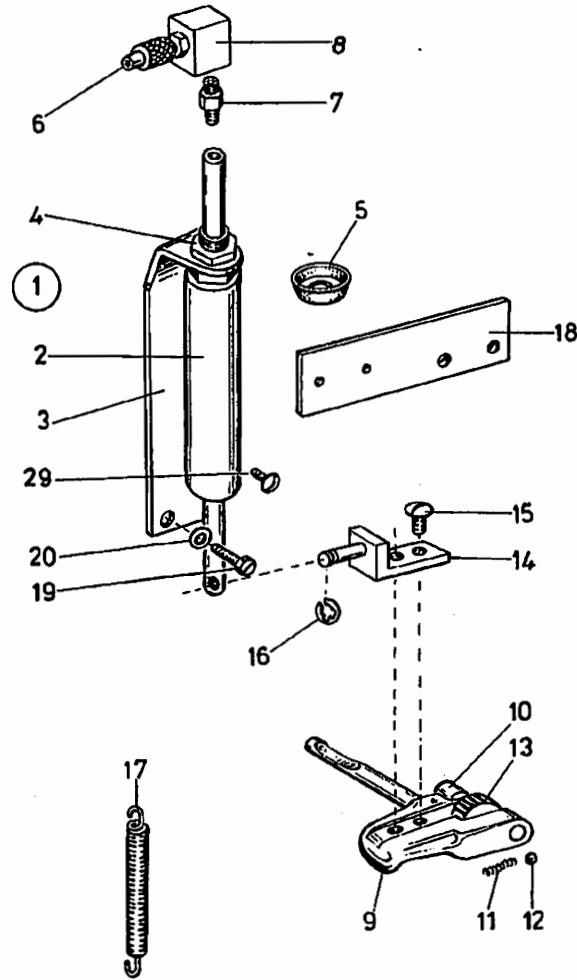
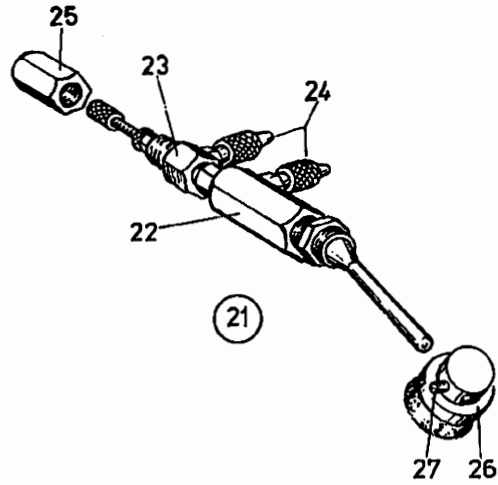
Pos. Det.	Teile Nr. Part No.	Benennung	Denomination	Pos. Det.	Teile Nr. Part No.	Benennung	Denomination	Pos. Det.	Teile Nr. Part No.	Benennung	Denomination
<b>Z115-211</b>											
1	Z115901	Pneum. Fußöffnung kpl. (best. aus Pos. 2 bis 32)	Pneumatic foot lifting cpl. (consist. of pos. 2 up to 32)								
2	24414578	Zylinder (mit Pos. 3)	Cylinder (with pos. 3)								
3	7461547	Lippenring	Lip ring								
4	746768	L-Versch.	Hose L-coupling screw								
5	24414502	Lasche	Shackle								
6	270631	Zyl.-Schraube	Cyl. head screw								
7	24414811	Übertr.-Hebel	Transmission lever								
8	5581676a	Ansatzschraube	Shoulder screw								
9	237202	6kt.-Mutter	Hexagonal nut								
10	557111	Zahnscheibe	Tooth lock washer								
11	24414619	Anschlagschraube	Stop screw								
12	MG8/7d	6kt.-Mutter	Hexagonal nut								
13	787319	Magnetventil	Solenoid valve								
14	Z11649	Schalldämpfer	Silencer								
15	24414595	Stöckverb. (m. Leitung)	Plug-in connection (with cable)								
16	739404	Zyl.-Schraube	Cyl. head screw								
17	24414605	Halteblech	Fastening plate								
19	24414607	Ansatzschraube	Shoulder screw								
20	380289	Scheibe	Washer								
21	24414667	Leitung	Cable								
22	Z11655	Aufnahmestück	Uptake								
23	Z11661	Reduzierstück	Reducer								
24	7422238	Schl.-Verschr.	Hose coupling screw								
25	660771	Holzschraube	Wood screw								
26	72171	Anschlußschlauch kpl. (mit Pos. 27 bis 31)	Coupling hose cpl. (with pos. 27 up to 31)								
27	Z11538	Schlauchtülle	Hose nozzle								
28	7422096	Schlauchklemme	Hose clip								
29	Z11577	Anschl.-Schlauch	Coupling hose								
30	7449513	Schlauchtülle	Hose nozzle								
31	7441793a	Schl.-Kupplung	Hose coupling								
32	7442528	Muffe	Bushing								



Pos. Det.	Teile Nr. Part No.	Benennung	Denomination
<b>Z116-1,-2,-3</b>			
<b>Z116-1</b>			
1	Z11681	Pneumat. Stichverriegelung kpl. (best. aus Pos. 2 bis 42)	Pneumatic Stichlocking cpl. (cons. of pos. 2 up to 42)
2	Z1163	Zylinder (mit Pos. 3, 4, 5, 6, 7, 8)	Cylinder (with pos. 3, 4, 5, 6, 7, 8)
3	Z1164	Winkel	Square
4	Z116103	Mutter	Nut
5	Z11612	Topfmanschette	Cup collar
6	7422244	Schl.-Verschr.	Hose coupling screw
7	Z11650	Doppelnippel	Double nipple
8	Z11651	Winkelstück	Square piece
9	Z11616	Stichstellgriff (mit Pos. 10, 11, 12, 13)	Stitch guide handle (with pos. 10, 11, 12, 13)
10	Z11570	Anschlagschraube	Stop screw
11	65045	Druckfeder	Pressure spring
12	Z11568	Kugel	Ball
13	Z11571	Rändelmutter	Knurled nut
14	Z11625	Mitnehmer	Carrier
15	10019130	Schraube	Screw
16	255129	Sicherungsring	Circlip
17	Z12549	Zugfeder	Draw spring
18	Z11630	Anschlagwinkel	Back square
19	Z11643	Gummipuffer	Rubber buffer
20	557263	Scheibe	Washer
21	55680	Zyl.-Schraube	Cyl. head screw
22	Z11572a	Anschlagblech	Stop plate
23	Z11635	Aufnahmekloben (mit Pos. 24)	Uptake block (with pos. 24)
24	Z116377	Zyl.-Schraube	Cyl. head screw
25	Z11638	Lasche	Shackle
26	Z11641k	Sitzventil (mit Pos. 27, 28, 29, 30)	Seat valve (with pos. 27, 28, 29, 30)
27	Z11641a	3/2-Wege-Ventil	3/2 Directional control valve
28	Z11647	Drosselventil	Throttle valve
29	7422244	Schl.-Verschr.	Hose coupling screw

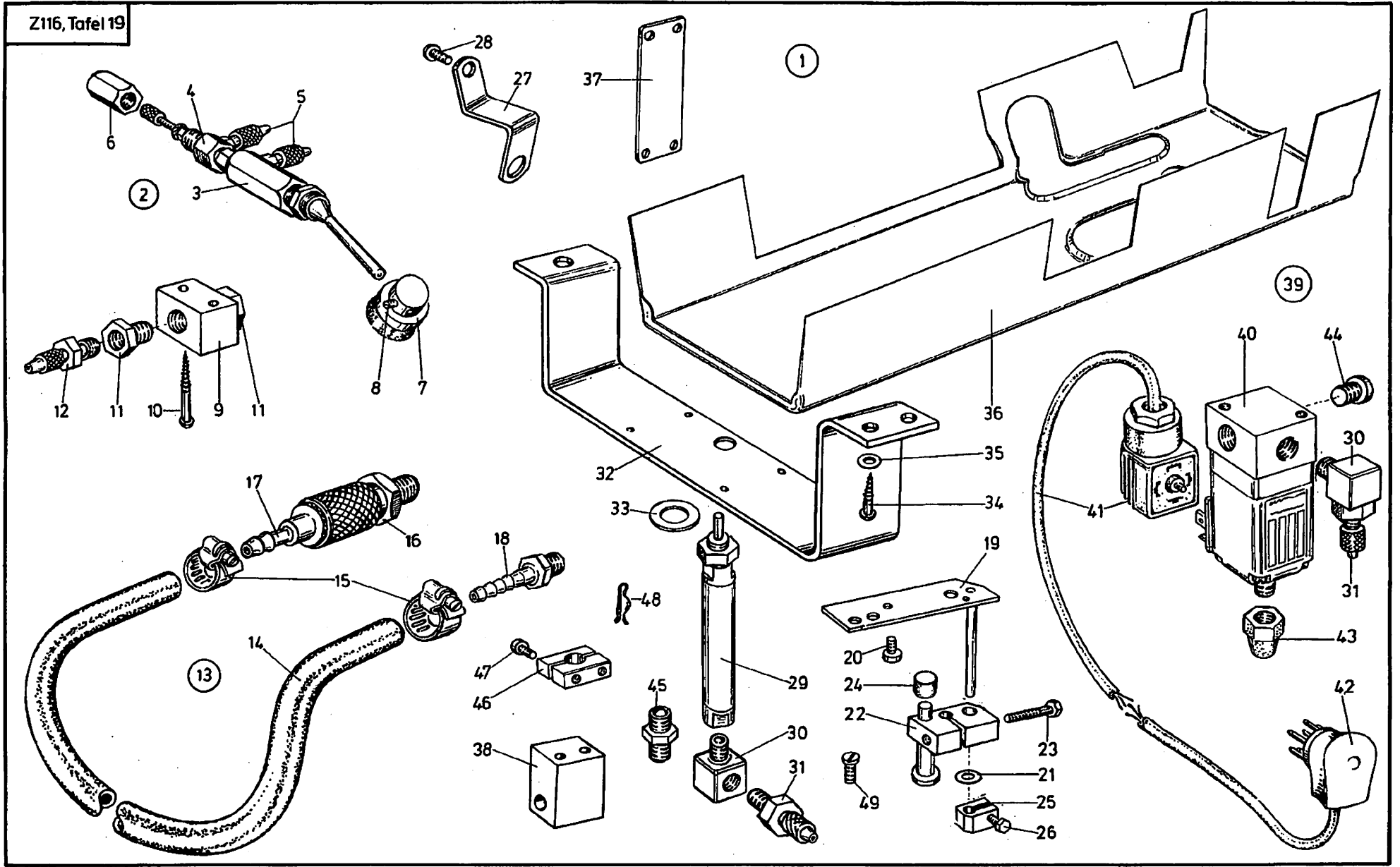
Pos. Det.	Teile Nr. Part No.	Benennung	Denomination
30	Z11648	Abdeckmutter	Covering nut
31	Z117126	Aufnahme (mit Pos. 32)	Uptake (with pos. 32)
32	216589	Gew.-Stift	Threaded stud
33	Z11655	Aufnehmestück	Uptake
34	560771	Holzschraube	Wood screw
35	Z11661	Reduzierstück	Reducer
36	7422238	Schl.-Verschr.	Hose coupling screw
37	72171	Anschlußschlauch kpl. (best. aus Pos. 38, 39, 40, 41, 42)	Coupling hose cpl. (cons. of pos. 38, 39, 40, 41, 42)
38	Z11577	Anschl.-Schlauch	Coupling hose
39	7422096	Schlauchklemme	Hose clip
40	7441793a	Schl.-Kupplung	Hose coupling
41	7449513	Schlauchtülle	Hose nozzle
42	Z11638	Schlauchtülle	Hose nozzle
<b>Z116-2</b>			
43	Z116141	Pneum. Stichverriegelung kpl. (best. aus Pos. 2 bis 22; Pos. 25 bis 42 und 44, 45)	Pneumatic stitch locking cpl. (cons. of pos. 2 up to 22; pos. 25 up to 42 and 44, 45)
44	2132010	Buchse	Bush
45	216377	Zyl.-Schraube	Cyl. head screw
<b>Z116-3</b>			
46	Z116181	Pneumat. Stichverriegelung kpl. (best. aus Pos. 2 bis 22, 26 bis 42; 47 bis 50)	Pneumatic stitch locking cpl. (cons. of pos. 2 up to 22, 26 up to 42; 47 up to 50)
47	Z116191	Lasche	Shackle
48	Z125412	Lagerbolzen	Bearing bolt
49	Z116406	Zyl.-Schraube	Cyl. head screw
50	055147	Scheibe	Washer

Pos. Det.	Teile Nr. Part No.	Benennung	Denomination

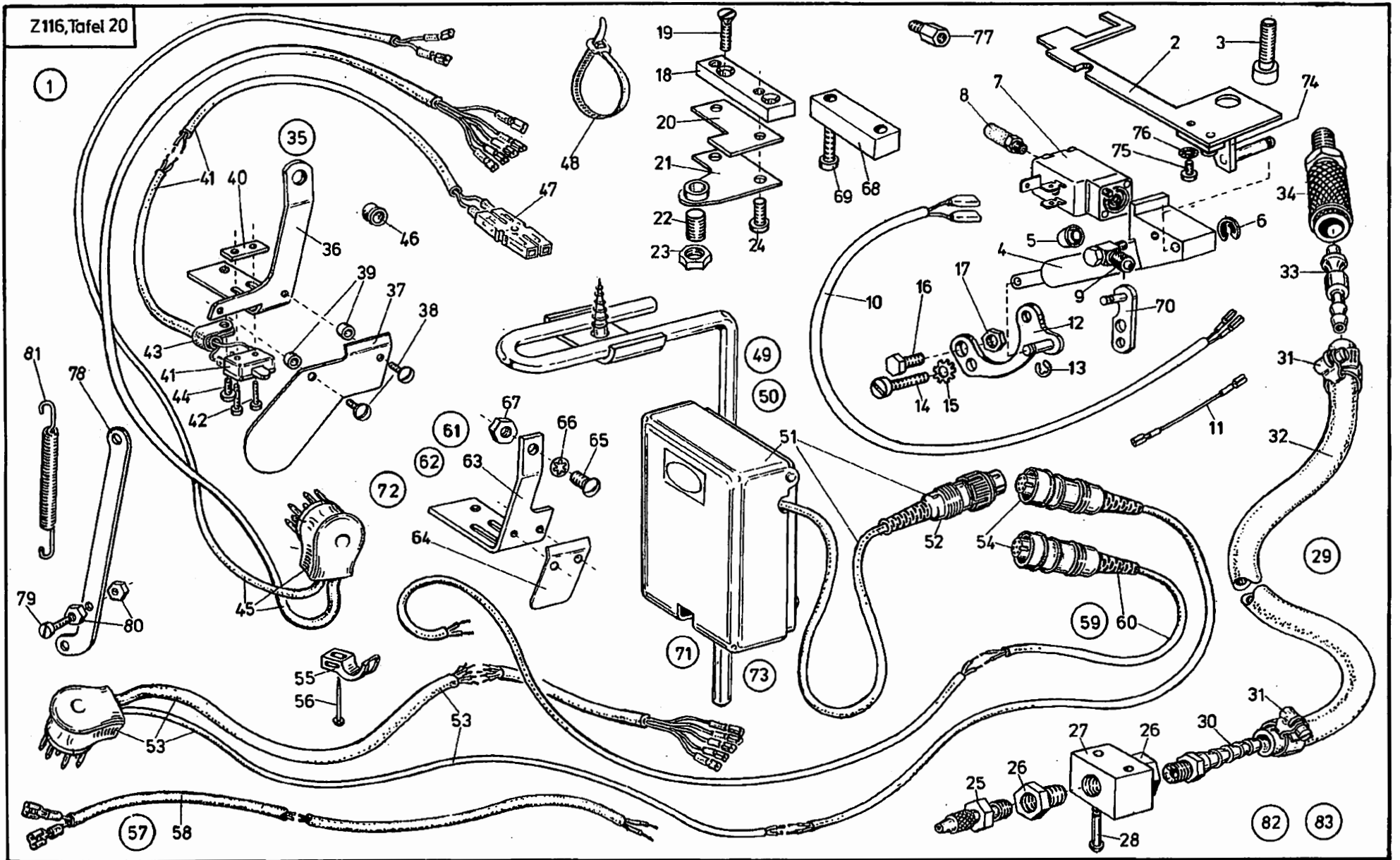


Pos. Det.	Teile Nr. Part No.	Benennung	Denomination	Pos. Det.	Teile Nr. Part No.	Benennung	Denomination	Pos. Det.	Teile Nr. Part No.	Benennung	Denomination
<b>Z 116-13; -32</b>											
<b>Z 116-13</b>											
1	Z 116331	Pneumatische Stichverriegelung kpl. (best. aus Pos. 2 bis 42)	Pneumatic stitch locking cpl. (cons. of pos. 2 up to 42)	31	2126412	Lagerbolzen	Bearing bolt				
2	Z 116292k	Zylinder (mit Pos 3 bis 8)	Cylinder (with pos 3 up to 8)	32	216408	Zyl.-Schraube	Cyl. head screw				
3	Z 116292	Winkel	Square	33	065147	Schelbe	Washer				
4	216103	Mutter	Nut	34	Z 11655	Aufnahmestück	Uptake				
5	Z 11612	Topfmanschette	Cup collar	35	Z 11661	Reduzierstück	Reducer				
6	7422244	Schl.-Verschr.	Hose coupling screw	36	660771	Halbrundholzschaube	Half-round wood screw				
7	Z 11650	Doppelnippel	Double nipple	37	72171	Anschl.-Schlauch kpl. (best. aus Pos. 38 bis 42)	Coupling hose cpl. (cons. of pos. 38 up to 42)				
8	Z 11651	Winkelstück	Bend elbow	38	Z 11577	Anschl.-Schlauch	Coupling hose				
9	Z 11616	Stichstellergriff (mit Pos. 10 bis 13)	Stitch guide handle (with pos. 10 up to 13)	39	7422098	Schlauchklemme	Hose clip				
10	Z 11570	Anschlagschraube	Stop screw	40	7441793a	Schlauchkupplung	Hose coupling				
11	65045	Druckfeder	Pressure spring	41	7449513	Schlauchtülle	Hose nozzle				
12	Z 11568	Kugel	Ball	42	Z 11538	Schlauchtülle	Hose nozzle				
13	Z 11571	Rändelmutter	Knurled nut	<b>Z 116-32</b>							
14	Z 11625	Mitnehmer	Carrier	43	Z 116441	Pneumat. Stichverriegelung kpl. (best. aus Pos. 2 bis 29)	Pneumatic Stich locking cpl. (cons. of pos. 2 up to 29)				
15	10019130	Schraube	Screw								
16	255129	Sicherungsring	Circlip								
17	212549	Zugfeder	Draw spring								
18	Z 1171305	Platte	Plate								
19	MG41/3013	Zyl.-Schraube	Cyl. head screw								
20	5691895	Schelbe	Washer								
21	Z 11641k	Sitzventil kpl. (best. aus Pos. 22 bis 25)	Seat valve cpl. (cons. of pos. 22 up to 25)								
22	Z 11641a	3/2-Wege-Ventil	3/2-Directional control valve								
23	Z 11647	Drosselventil	Throttle valve								
24	7422244	Schlauchverschraubung	Hose coupling screw								
25	Z 11648	Abdeckmutter	Covering nut								
26	Z 117126	Aufnahme (mit Pos. 27)	Uptake (with pos. 27)								
27	216589	Gew.-Stift	Threaded stud								
28	7422238	Schl.-Verschraubung	Hose coupling screw								
29	10019130	Schraube zu Fadenführung	Screw to thread guidance								
30	Z 116191	Lasche	Shackle								





Pos. Det.	Teile Nr. Part No.	Benennung	Denomination	Pos. Det.	Teile Nr. Part No.	Benennung	Denomination	Pos. Det.	Teile Nr. Part No.	Benennung	Denomination
		<b>Z 116-21;-20</b>									
		<b>Z 116-21</b>									
1	Z116241	Pneumatische Stichverriegelung kpl. (best. aus Pos. 2 bis 38)	Pneumatic stitch locking cpl. (cons. of pos. 2 up to 38)	32	24940354	Bügel	Bow				
2	Z11641k	Sitzventil (mit Pos. 3, 4, 5, 6)	Seat valve (with pos. 3, 4, 5, 6)	33	570118	Scheibe	Washer				
3	Z11641a	Dreiwege-Ventil	Three-way valve	34	7101450	Holzschraube	Wood screw				
4	Z11647	Drosselventil	Throttle valve	35	7421556	Scheibe	Washer				
5	7422244	Schl.-Verschraubung	Hose coupling screw	36	249440	Ölwanne	Oil tray				
6	Z11648	Abdeckmutter	Covering nut	37	24717a	Skalablech	Scale plate				
7	Z117126	Aufnahme (mit Pos. 8)	Uptake (with pos. 8)	38	23810281	Führungsbock	Guide stand				
8	216589	Gewindestift	Threaded stud			<b>Z 116-20</b>					
9	Z11655	Aufnahmestück	Uptake	39	Z1161001	Elektro-pneumatische Stichverriegelung kpl. (best. aus Pos. 9 bis 26, 29 bis 37, 40 bis 49)	Elektro pneumatic stitch locking cpl. (cons. of pos. 9 up to 26, 29 up to 37, 40 up to 49)				
10	560771	Holzschraube	Wood screw	40	797312	Magnetventil	Solenoid valve				
11	Z11661	Reduzierstück	Reducer	41	Z1161018	Leitung (mit Kabelkopf)	Cable (with cable pot-head)				
12	7422238	Schl.-Verschr.	Hose coupling screw	42	Z118635	Stecker	Contact plug				
13	72171	Anschl.-Schlauch kpl. (best. aus Pos. 14, 15, 16, 17, 18)	Coupling hose cpl. (cons. of pos. 14, 15, 16, 17, 18)	43	7973191	Schalldämpfer	Silencer				
14	Z11577	Anschl.-Schlauch	Coupling hose	44	P12159	Blindstopfen	Blind plug				
15	7422096	Schlauchklemme	Hose clip	45	7441819	Doppelnippel	Double nipple				
16	7441793a	Schl.-Kupplung	Hose coupling	46	2453285	Kloben (mit Pos. 47)	Block (with pos. 47)				
17	7449513	Schlauchtülle	Sleeve	47	NBO/1114	Zyl.-Schraube	Cyl. head screw				
18	Z11538	Schlauchtülle	Sleeve	48	2453283	Feder	Spring				
19	24940331	Platte	Plate	49	216123	Zyl.-Schraube	Cyl. head screw				
20	04378	Zyl.-Schraube	Cyl. head screw								
21	7421556	Scheibe	Washer								
22	24940345	Kloben (mit Pos. 23)	Block (with pos. 23)								
23	93910071	6kt.-Schraube	Hexagonal screw								
24	Z11816	Druckstück	Thrust piece								
25	23810356	Klemmkloben (mit Pos. 26)	Clamping block (with pos. 26)								
26	21267	6kt.-Schraube	Hexagonal screw								
27	Z116258	Winkel (an Arm)	Square (on arm)								
28	01275	Zyl.-Schraube	Cyl. head screw								
29	7422241	Zylinder	Cylinder								
30	P12153	Winkelverschr.	Square coupling screw								
31	7422238	Schl.-Verschr.	Hose coupling screw								

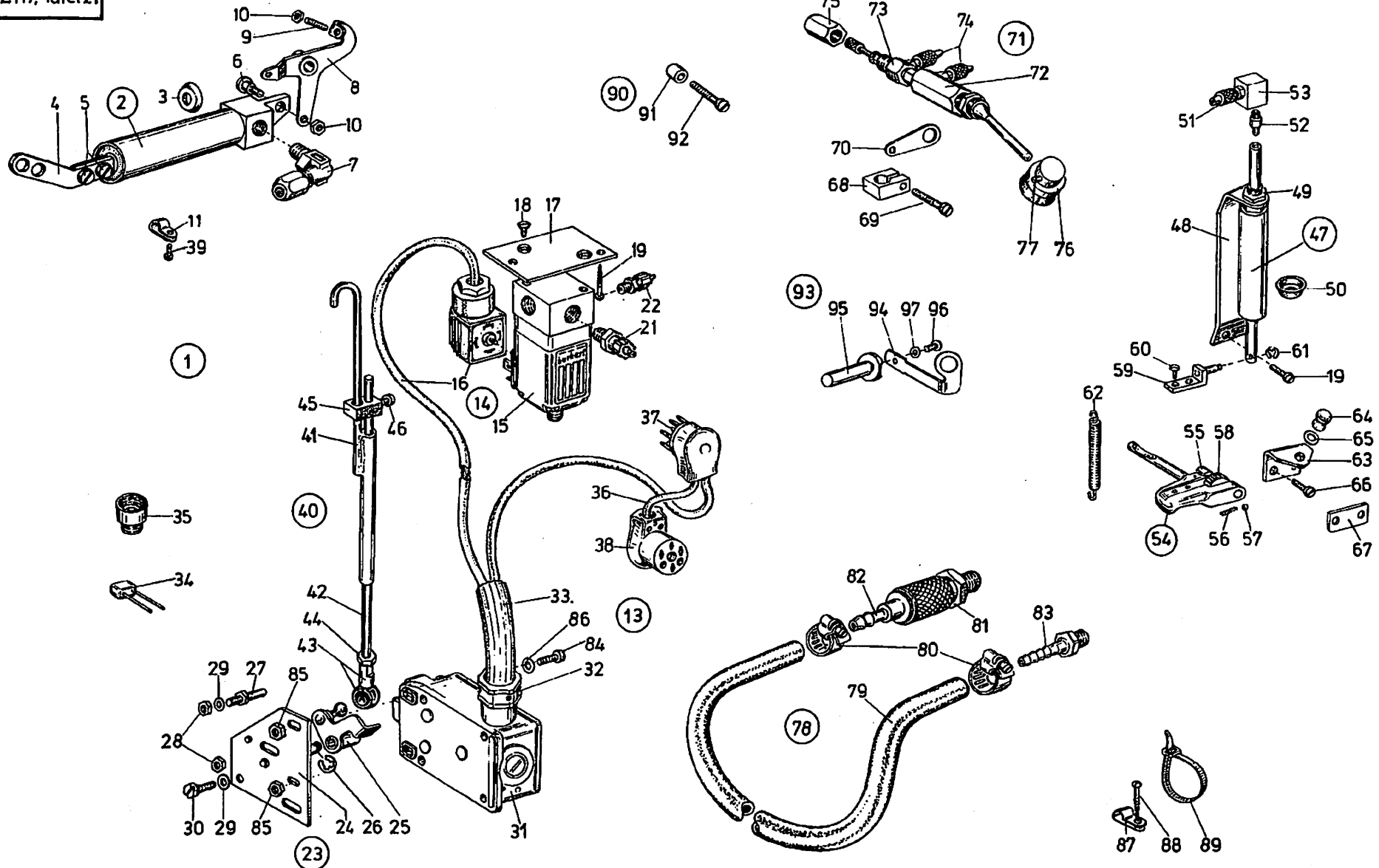




Pos. Det.	Teile Nr. Part No.	Benennung	Denomination
		<b>Z116-211, -244, -255</b>	
1	Z116701	<b>Z116-211 mit Tester für Kl. 211-, 212-, 219-15000</b> Elektro-pneumatische Stichverriegelung kpl. (best. aus Pos. 2 bis 48 und 74 bis 81)	<b>Z 116-211 with sensor for Cl. 211-, 212-, 219-15000</b> Electro-pneumatic stitch locking cpl. (cons. of pos. 2 up to 48 and 74 up to 81)
2	Z116703e	Platte kpl. (mit Pos. 74, 75, 76)	Plate cpl. (with pos. 74, 75, 76)
3	5564a	Zyl.-Schraube	Cyl. head screw
4	24414547	Zylinder kpl. (mit Pos. 5)	Cylinder cpl. (with pos. 5)
6	21154075	Lippenring	Lip ring
6	211100a	Sicher.-Scheibe	Circlip
7	797319	Magnetventil	Solenoid valve
8	Z11649	Schalldämpfer	Silencer
9	746768	Schl.-L-Versch.	Hose-L-coupling screw
10	24414571	Leitung	Cable
11	24414667	Leitung	Cable
12	Z116717	Hebel	Lever
13	255129	Sicher.-Scheibe	Circlip
14	21131	Zyl.-Schraube	Cyl. head screw
15	557111	Federscheibe	Spring washer
16	5601941	Schraube	Screw
17	MG43/408	6kt.-Mutter	Hexagonal nut
18	Z116725	Lagerbock	Pillow block
19	5702382	Senkschraube	Countersunk screw
20	21154247	Platte	Plate
21	21154241	Blattfeder	Leaf spring
22	21154245	Gewindestift	Threaded stud
23	21154246	6kt.-Mutter	Hexagonal nut
24	902602	Schraube	Screw
25	7422238	Schl.-Verschr.	Hose coupling screw
26	Z11661	Reduzierstück	Reducer
27	Z11665	Aufnahmestück	Uptake
28	560771	Holzschraube	Wood screw
29	72171	Anschlußschlauch (mit Pos. 30 bis 34)	Coupling hose (with pos. 30 up to 34)
30	Z11538	Schlauchdüse	Hose nozzle
31	7422096	Schlauchklemme	Hose clip
32	Z11577	Schlauch	Hose
33	7449513	Tülle	Nozzle
34	7441793a	Kupplungsdose	Coupling socket
35	Z116741	Tester kpl. (best. aus Pos. 36 bis 48)	Sensor cpl. (cons. of pos. 36 up to 48)
36	Z116742	Haltewinkel	Supporting square
37	Z116743	Schaltblech	Operating plate
38	10019130	Linse	Fillister head screw
39	2132038	Abstandsbuchse	Distance bush
40	Z116747	Lasche	Shackle
41	Z116751	Leitung (mit Mikorsch.)	Cable (with micro switch)
42	Z125118	Zyl.-Schraube	Cyl. head screw
43	94210318	Schelle	Clip

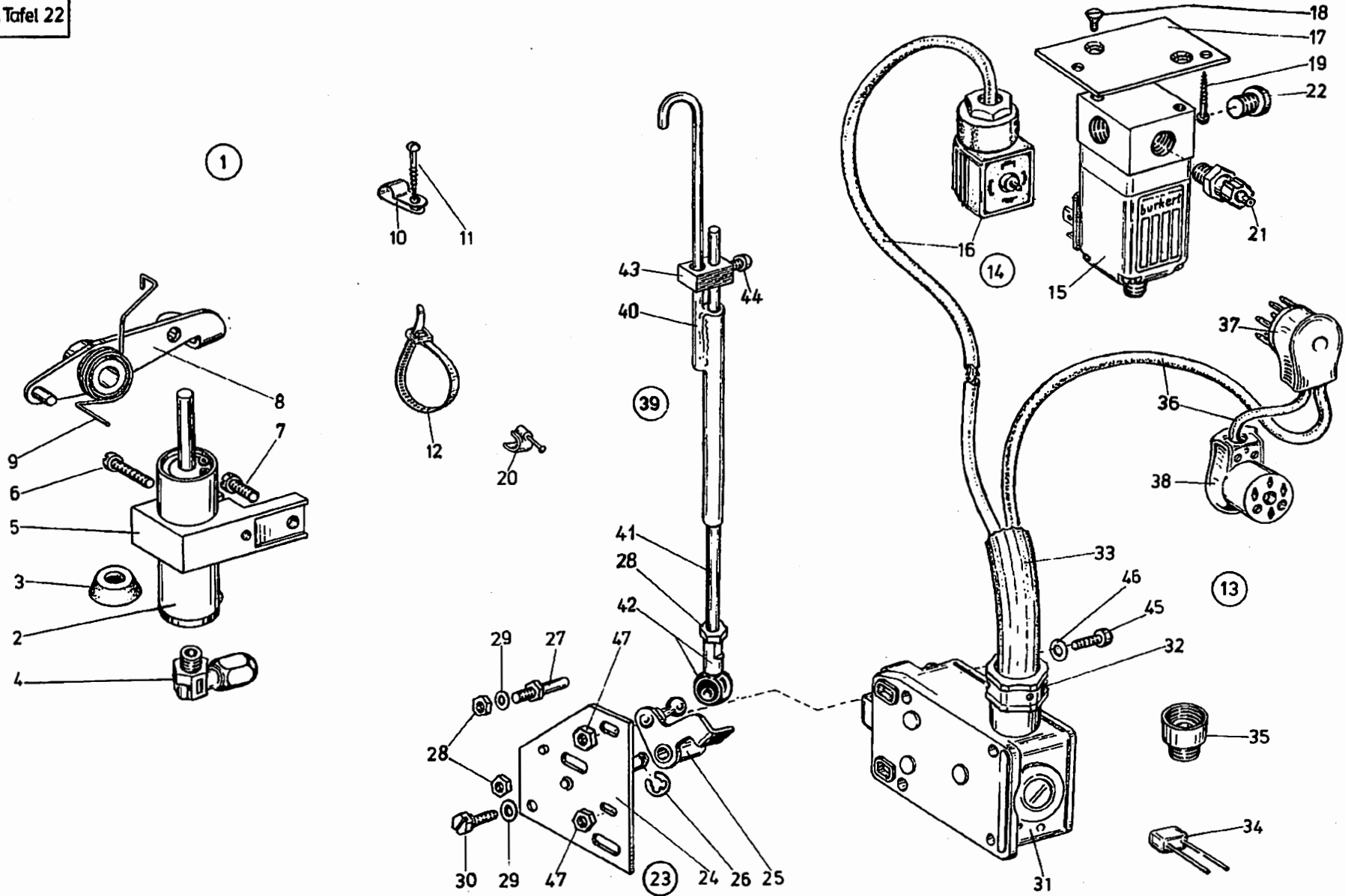
Pos. Det.	Teile Nr. Part No.	Benennung	Denomination
44	223700	Zyl.-Schraube	Cyl. head screw
45	Z116761	Leitung	Cable
46	21113	Kunststoffmuffe	Plastic sleeve
47	7465428	Steckverbinder	Plug-type connector
48	Z151302	Kabelband	Cable band
49	Z116702	<b>Z116-211 mit Knieschalter für Kl. 211-, 212-, 219-15000</b> Elektro-pneumatische Stichverriegelung kpl. (best. aus Pos. 2 bis 34, 48 bis 56 und 74 bis 81)	<b>Z116-211 with knee-switch for Cl. 211-, 212-, 219-15000</b> Electro-pneumatic stitch locking cpl. (cons. of pos. 2 up to 34, 48 up to 56 and 74 up to 81)
50	Z116771	Knieschalter kpl. (best. aus Pos. 48, 51 bis 66)	Knee switch cpl. (cons. of pos. 48, 51 up to 56)
51	Z116772	Knieschalter (mit Pos. 52)	Knee switch (with pos. 52)
52	Z116776	Stecker	Contact plug
53	Z116778	Leitung (mit Pos. 54)	Cable (with pos. 54)
54	21154215	Kupplung	Coupling
55	7442168	Iso-Nagelschelle	Iso-nail clip
56	7442094	Fix-Stahlnadeln	Fix-steel needles
57	Z116791	<b>Z116-211 mit Tester für Kl. 211-, 212-, 219-115000, -315000</b> Tester kpl. (best. aus Pos. 36 bis 44, 46, 47, 48 und 58)	<b>Z116-211 with sensor for Cl. 211-, 212-, 219-115000, -315000</b> Sensor cpl. (cons. of pos. 36 up to 44, 46, 47, 48 and 58)
58	Z116793	Leitung	Cable
59	Z116801	<b>Z116-211 mit Knieschalter für Kl. 211-, 212-, 219-115000, -315000</b> Knieschalter kpl. (best. aus Pos. 51, 52 und 60)	<b>Z116-211 with knee-switch for Cl. 211-, 212-, 219-115000, -315000</b> Knee switch cpl. (cons. of pos. 51, 52 and 60)
60	Z116803	Leitung (mit Pos. 54)	Cable (with pos. 54)
61	Z116841	<b>Z116-244 mit Tester für Kl. 243- und 244-15000</b> Elektro-pneumatische Stichverriegelung kpl. (best. aus Pos. 2 bis 11, 13, 15, 16, 20 bis 23, 25 bis 28, 29, 62, 68 bis 70 und 74 bis 77)	<b>Z116-244 with sensor for Cl. 243- and 244-15000</b> Electro-pneumatic stitch locking cpl. (cons. of pos. 2 up to 11, 13, 15, 16, 20 up to 23, 25 up to 28, 29, 62, 68 up to 70, 74 up to 77)
62	Z116871	Tester kpl. (best. aus Pos. 38 bis 48 und 63 bis 67)	Sensor cpl. (cons. of pos. 38 up to 48 and 63 up to 67)
63	Z116872	Haltewinkel	Supporting square

Pos. Det.	Teile Nr. Part No.	Benennung	Denomination
64	Z116873	Schaltblech	Switch plate
66	219353	Linse	Fillister head screw
66	739347	Zahnscheibe	Tooth lock washer
67	7395105	6kt.-Mutter	Hexagonal nut
68	21154248	Lagerbock	Pillow block
69	10019129	Zyl.-Schraube	Cyl. head screw
70	21255712	Lasche	Shackle
71	Z116842	<b>Z116-244 mit Knieschalter für Kl. 243- und 244-15000</b> Elektro-pneumatische Stichverriegelung kpl. (best. aus Pos. 2 bis 11, 13, 15, 16, 20 bis 23, 25 bis 28, 29, 60, 68 bis 70 und 74 bis 77)	<b>Z116-244 with knee-switch for Cl. 243- and 244-15000</b> Electro-pneumatic stitch locking cpl. (cons. of pos. 2 up to 11, 13, 15, 16, 20 up to 23, 25 up to 28, 29, 60, 68 up to 70 and 74 up to 77)
72	Z116901	<b>Z116-244 mit Tester für Kl. 243-, 244-115000, -315000</b> Tester kpl. (best. aus Pos. 38 bis 44, 46 bis 48, 58, 63 bis 67)	<b>Z116-244 with sensor for Cl. 243-, 244-115000, -315000</b> Sensor cpl. (cons. of pos. 38 up to 44, 46 up to 48, 58, 63 up to 67)
73	Z116801	<b>Z116-244 mit Knieschalter für Kl. 243-, 244-115000, -315000</b> Knieschalter kpl. Siehe Pos. 59	<b>Z116-244 with knee-switch for Cl. 243-, 244-115000, -315000</b> Knee switch cpl. See pos. 59
74	26513743	Winkel	Angle
75	21698	Zyl.-Schraube	Cyl. head screw
76	739347	Zahnscheibe	Tooth lock washer
77	7462208	Verbindungsstück	Joining piece
78	21154023	Verbindungsstange	Linking rod
79	213370	Zyl.-Schraube	Cyl. head screw
80	237202	6kt.-Mutter	Hexagonal nut
81	21154671	Zugfeder	Tension spring
82	Z116941	<b>Z116-255 mit Tester für Kl. 212-15155</b> Elektro-pneumatische Stichverriegelung kpl. (best. aus Pos. 2 bis 11, 13, 15, 16, 20 bis 23, 25 bis 48, 68 bis 70, 74 bis 76)	<b>Z116-255 with sensor for Cl. 212-15155</b> Electro-pneumatic stitch locking cpl. (cons. of pos. 2 up to 11, 13, 15, 16, 20 up to 23, 25 up to 48, 68 up to 70, 74 up to 76)
83	Z116842	<b>Z116-255 mit Knieschalter für Kl. 212-15155</b> Stichverriegelung kpl. Siehe Pos. 71	<b>Z116-255 with knee-switch for Cl. 212-15155</b> Stitch locking cpl. See pos. 71

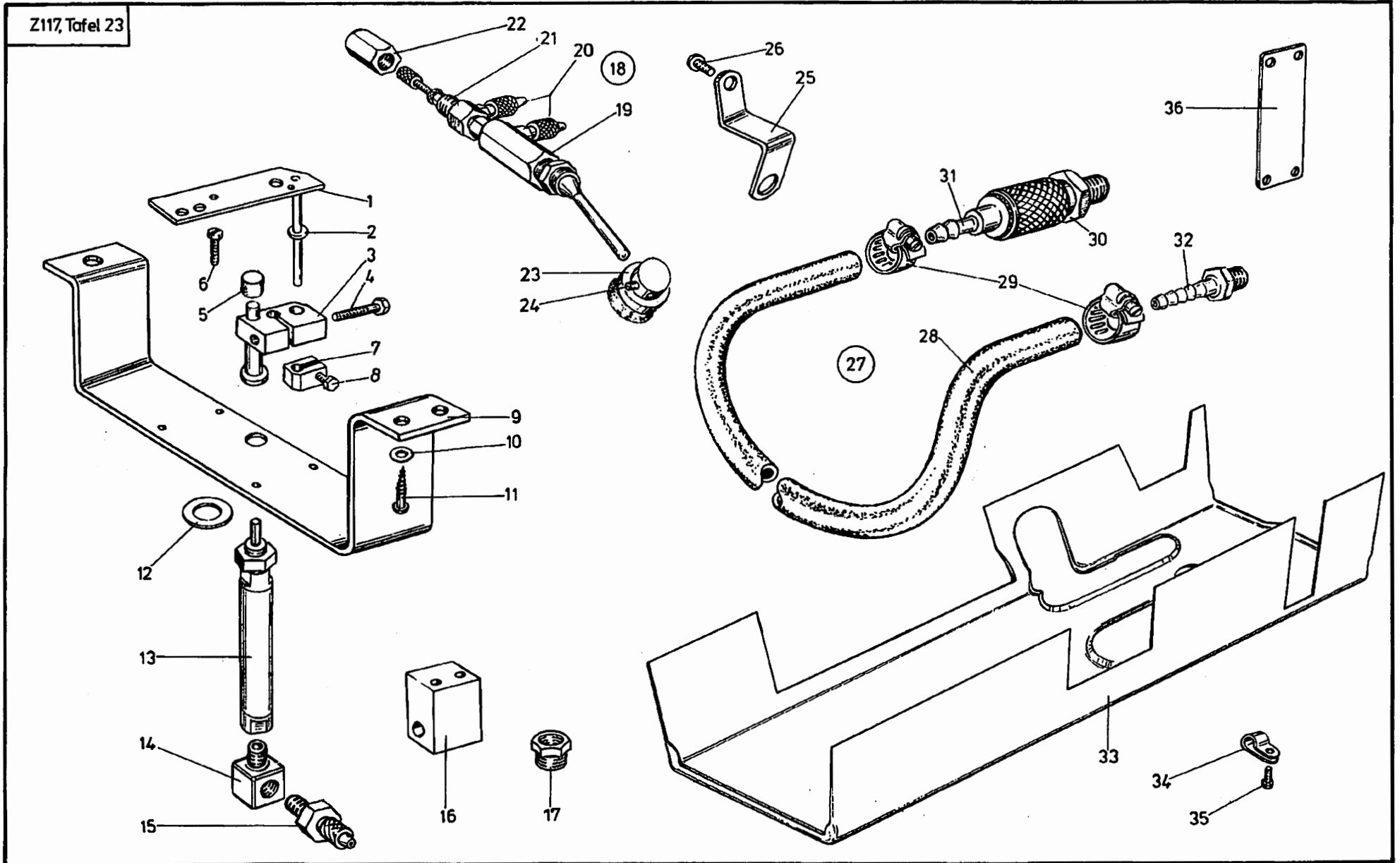


Pos. Det.	Teile Nr. Part No.	Benennung	Denomination	Pos. Det.	Teile Nr. Part No.	Benennung	Denomination	Pos. Det.	Teile Nr. Part No.	Benennung	Denomination
<b>Z117-1;-2,-3</b>											
<b>Z117-1</b>											
1	Z117191	Elektropneumatische Drückerfußlüftung und Stichstellerbetätigung kpl. (best. aus Pos. 2 bis 89)	Electro-pneumatic pressure-controlled foot-lifting and stitch guide operating lever cpl. (cons. of pos. 2 up to 89)	35	Z11597	Erweiter.-Stück	Enlargement piece	76	Z117128	Aufnahme (mit Pos. 77)	Uptake (with pos. 77)
2	Z1151	Zylinder	Cylinder	36	Z11598	Leitung (mit Pos. 37 und 38)	Cable (with pos. 37 and 38)	77	216589	Gew.-Stift	Threaded stud
3	Z1159a	Topfmanschette	Cup collar	37	MG41/1124	Stecker	6-pole plug	78	72171	Anschlußschlauch kpl. (best. aus Pos. 79, 80, 81, 82, 83)	Coupling hose cpl. (cons. of pos. 79, 80, 81, 82, 83)
4	Z11513	Lasche	Shackle	38	739494	Kupplung	Coupling	79	Z11577	Anschl.-Schlauch	Coupling hose
5	270531	Zyl.-Schraube	Cyl. head screw	39	21688	Zyl.-Schraube	Cyl. head screw	80	7422096	Schlauchklemme	Hose clip
6	Z11525	Ansatzschraube	Shoulder screw	40	Z11561	Gestänge kpl. (best. aus Pos. 41, 42, 43, 44, 45, 46)	Rods cpl. (cons. of pos. 41, 42, 43, 44, 45, 46)	81	7441793a	Schl.-Kupplung	Hose coupling
7	74423556	Winkelversch.	Square coupling screw	41	2110832	Gestängeführung	Rods guidance	82	7449513	Schlauchtülle	Hose nozzle
8	Z11521	Übertrag.-Hebel	Transmission lever	42	MG43/402	Stange	Rod	83	Z11538	Schlauchtülle	Hose nozzle
9	10019160	Gew.-Stift	Threaded stud	43	211616	Kugelpfanne	Cup	84	21646	Zyl.-Schraube	Cyl. head screw
10	MG8/7d	6kt.-Mutter	Hexagonal nut	44	MG43/408	6kt.-Mutter	Hexagonal nut	85	202704	6kt.-Mutter	Hexagonal nut
11	7442208	Schelle	Fastening clip	45	211612	Führungstück	Guidance piece	86	5691895	Scheibe	Washer
13	Z11731k	Magnetventil kpl. (best. aus Pos. 14, 17, 18, 21, 22, 31, 32, 33, 34, 35, 36)	Solenoid valve cpl. (cons. of pos. 14, 17, 18, 21, 22, 31, 32, 33, 34, 35, 36)	46	556807	Zyl.-Schraube	Cyl. head screw	87	94210318	Schelle	Clip
14	Z11532a	Magnetventil (mit Pos. 15 und 16)	Solenoid valve (with pos. 15 and 16)	47	Z1163	Zylinder (mit Pos. 48, 49, 50, 51, 52, 53)	Cylinder (with pos. 48, 49, 50, 51, 52, 53)	88	713302	Holzschraube	Wood screw
15	797312	Magnetventil	Solenoid valve	48	Z1164	Winkel	Square	89	Z151302	Kabelband	Insulok cable band
16	Z11581	Leitung (mit Kabelkopf)	Cable (with cable pot-head)	49	216103	Mutter	Nut	<b>Z117-2</b>			
17	Z11533a	Platte	Plate	0	Z11612	Topfmanschette	Cup collar	90	Z117231	Elektropneumatische Drückerfußlüftung und Stichstellerbetätigung kpl. (best. aus Pos. 2 bis 67; Pos. 70 bis 89 und 91, 92)	Electro-pneumatic pressure controlled foot-lifting and stitch guide operating cpl. (cons. of pos. 2-67; pos. 70 up to 89 and 91, 92)
18	5692900	Schraube	Screw	51	7422244	Schl.-Verschr.	Hose coupling screw	91	2132010	Buchse	Bush
19	MG41/1384	Holzschraube	Wood screw	52	Z11650	Doppelnippel	Double nipple	92	216377	Zyl.-Schraube	Cyl. head screw
20	P121125	Nagelschelle	Nail clip	53	Z11651	Winkelstück	Square piece	<b>Z117-3</b>			
21	74423566	Schl.-Verschr.	Hose coupling screw	54	Z11616	Stichstellergriff (mit Pos. 55, 56, 57, 58)	Stitch guide handle (with pos. 55, 56, 57, 58)	93	Z117281	Elektropneumatische Drückerfußlüftung und Stichstellerbetätigung kpl. (best. aus Pos. 2 bis 67; Pos. 71 bis 89 und Pos. 94, 95, 96, 97)	Electro-pneumatic pressure controlled foot-lifting and stitch guide operating cpl. (cons. of pos. 2-67; pos. 71 up to 89 and pos. 94, 95, 96, 97)
22	7422238	Schl.-Verschr.	Hose coupling screw	55	211670	Anschlagschraube	Stop screw	94	Z118191	Lasche	Shackle
23	Z11541k	Platte kpl. (best. aus Pos. 24, 25, 26, 27, 28, 29)	Plate cpl. (cons. of pos. 24, 25, 26, 27, 28, 29)	56	65045	Druckfeder	Pressure spring	95	2126412	Lagerbolzen	Bearing bolt
24	Z11541	Platte	Plate	57	211568	Kugel	Ball	96	216406	Zyl.-Schraube	Cyl. head screw
25	Z11551	Hebel	Lever	58	211571	Rändelmutter	Knurled nut	97	055147	Scheibe	Washer
26	211100a	Sicher.-Schelbe	Safety washer	59	Z11625	Mitnehmer	Carrier				
27	216359	Gew.-Bolzen	Threaded stud	60	10019130	Schraube	Fillister head screw				
28	MG43/408	Mutter	Nut	61	255129	Sicherungsring	Safety collar				
29	557263	Scheibe	Washer	62	212549	Zugfeder	Draw spring				
30	7441658	6kt.-Schraube	Hexagonal screw	63	Z11630	Anschlagwinkel	Back square				
31	MG41/1126	Endtaster	Final touch contact	64	21643	Gummipuffer	Rubber buffer				
32	7421535	Druckschraube	Pressure screw	65	MG43/2510	Scheibe	Washer				
33	Z11595	Habiflex-Schlauch	Habiflex-tube	66	55680	Zyl.-Schraube	Cyl. head screw				
34	739311	Diode	Diode	67	211572a	Anschlagblech	Stop plate				
				68	Z11635	Aufnahmekloben (mit Pos. 69)	Uptake block (with pos. 69)				
				69	216377	Zyl.-Schraube	Cyl. head screw				
				70	Z11638	Lasche	Shackle				
				71	Z11641k	Sitzventil (mit Pos. 72, 73, 74, 75)	Seat valve (with pos. 72, 73, 74, 75)				
				72	Z11641a	Dreiwegsitzventil	Three-way valve				
				73	Z11647	Drosselventil	Throttle valve				
				74	7422244	Schl.-Verschr.	Hose coupling screw				
				75	Z11648	Abdeckmutter	Covering nut				

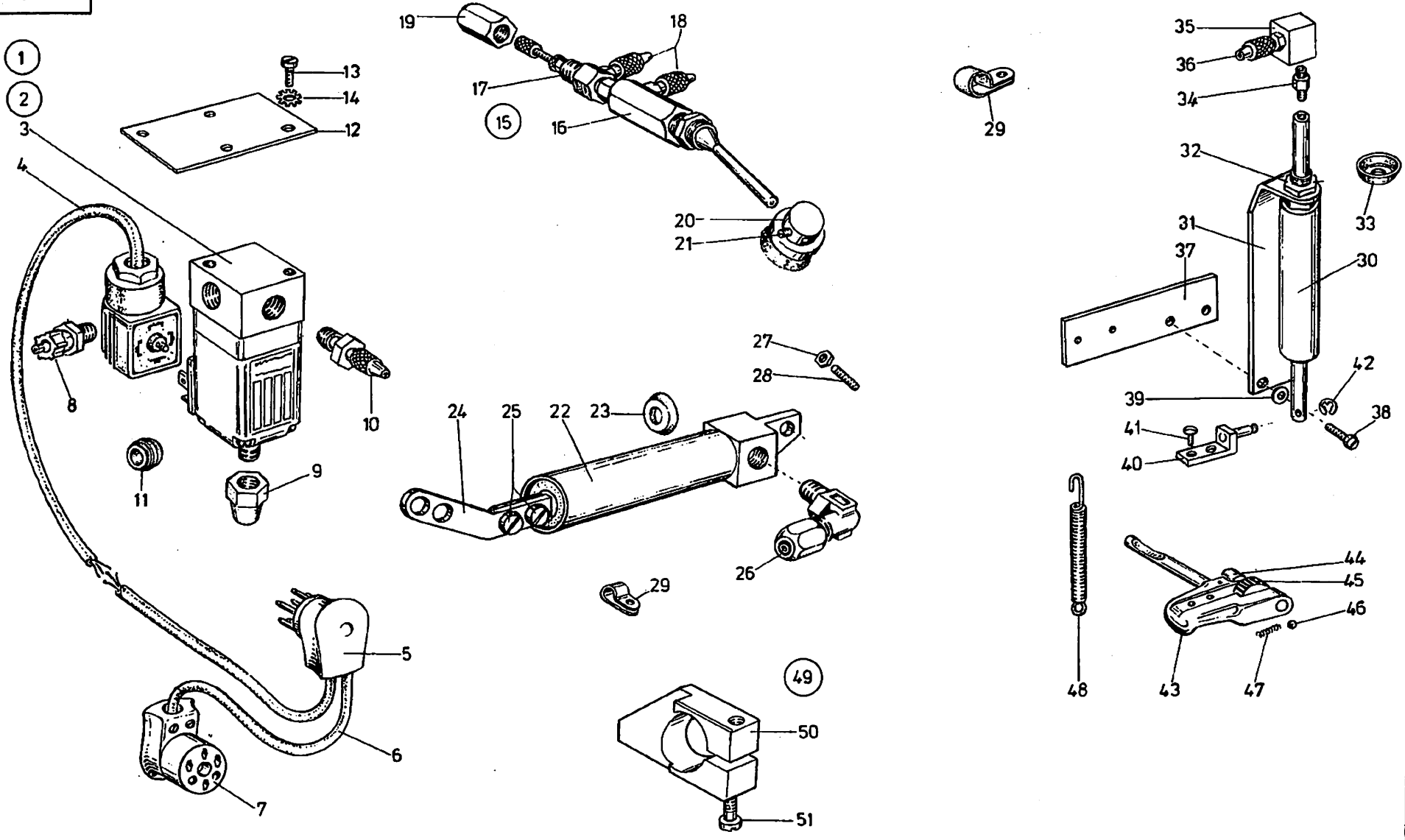




Pos. Det.	Telle Nr. Part No.	Benennung	Denomination	Pos. Det.	Teile Nr. Part No.	Benennung	Denomination	Pos. Det.	Telle Nr. Part No.	Benennung	Denomination
<b>Z 117-21</b>				29	557263	Scheibe	Washer				
1	Z117341	Elektro-pneumat. Drückerfußlüftung und Stichstellerbetätigung kpl. (best. aus Pos. 2 bis 47 und Pos. 1 bis 36 von Tafel 23)	Electro-pneumatic pressure controlled foot lifting and stitch guide operating cpl. (cons. of pos. 2 up to 47 and pos. 1 up to 36 of table 23)	30	7441658	6kt.-Schraube	Hexagonal screw				
2	Z115403	Zylinder (mit Pos. 3)	Cylinder (with pos. 3)	31	MG41/1126	Endtaster	Final touch contact				
3	Z1159a	Topfmanschette	Cup collar	32	7421535	Druckschraube	Pressure screw				
4	74423556	Schl.-Verschr.	Hose coupling screw	33	Z11595	Hebiflex-Schlauch	Hebiflex tube				
5	Z115422	Kloben (mit Pos. 6)	Block (with pos. 6)	34	739311	Diode	Diode				
6	216377	Zyl.-Schraube	Cyl. head screw	35	Z11597	Erweiter.-Stück	Enlargement piece				
7	213370	Zyl.-Schraube	Cyl. head screw	36	Z11598	Leitung (mit Pos. 37 und 38)	Cable (with pos. 37 and 38)				
8	Z115427	Hebel	Lever	37	MG41/1124	Stecker	6-pole plug				
9	Z115408	Drehfeder	Torsion spring	38	739494	Kupplung	Coupling				
10	94210318	Schelle	Clip	39	Z11561	Gestänge kpl. (best. aus Pos. 40 bis 44 und 28)	Rods cpl. (cons. of pos. 40 up to 44 and 28)				
11	713302	Holzschraube	Wood screw	40	21110832	Gestängeführung	Rods guidance				
12	Z151302	Kabelband	Cable band	41	MG43/402	Stange	Rod				
13	Z11531k	Magnetventil kpl. (best. aus Pos. 14 bis 19, 21 bis 38)	Solenoid valve cpl. (cons. of pos. 14 up to 19, 21 up to 38)	42	211616	Kugelpfanne	Cup				
14	Z11532a	Magnetventil (mit Pos. 15 und 16)	Solenoid valve (with pos. 15 and 16)	43	211612	Führungstück (mit Pos. 44)	Guide piece (with pos. 44)				
15	797312	Magnetventil	Solenoid valve	44	566607	Zyl.-Schraube	Cyl. head screw				
16	Z11581	Leitung (mit Kabelkopf)	Cable (with cable pot-head)	45	21646	Zyl.-Schraube	Cyl. head screw				
17	Z11533a	Platte	Plate	46	5691895	Scheibe	Washer				
18	5692900	Schraube	Screw	47	202704	6kt.-Mutter	Hexagonal nut				
19	MG41/1364	Holzschraube	Wood screw								
20	P121125	Nagelschelle	Nail clip								
21	74423566	Schl.-Verschr.	Hose coupling screw								
22	P12159	Blindstopfen	Blind plug								
23	Z11541k	Platte kpl. (best. aus Pos. 24 bis 29)	Plate cpl. (cons. of pos. 24 up to 29)								
24	Z11541	Platte	Plate								
25	Z11561	Hebel	Lever								
26	211100a	Sicher.-Scheibe	Safety washer								
27	216359	Gew.-Bolzen	Threaded stud								
28	MG43/408	Mutter	Nut								

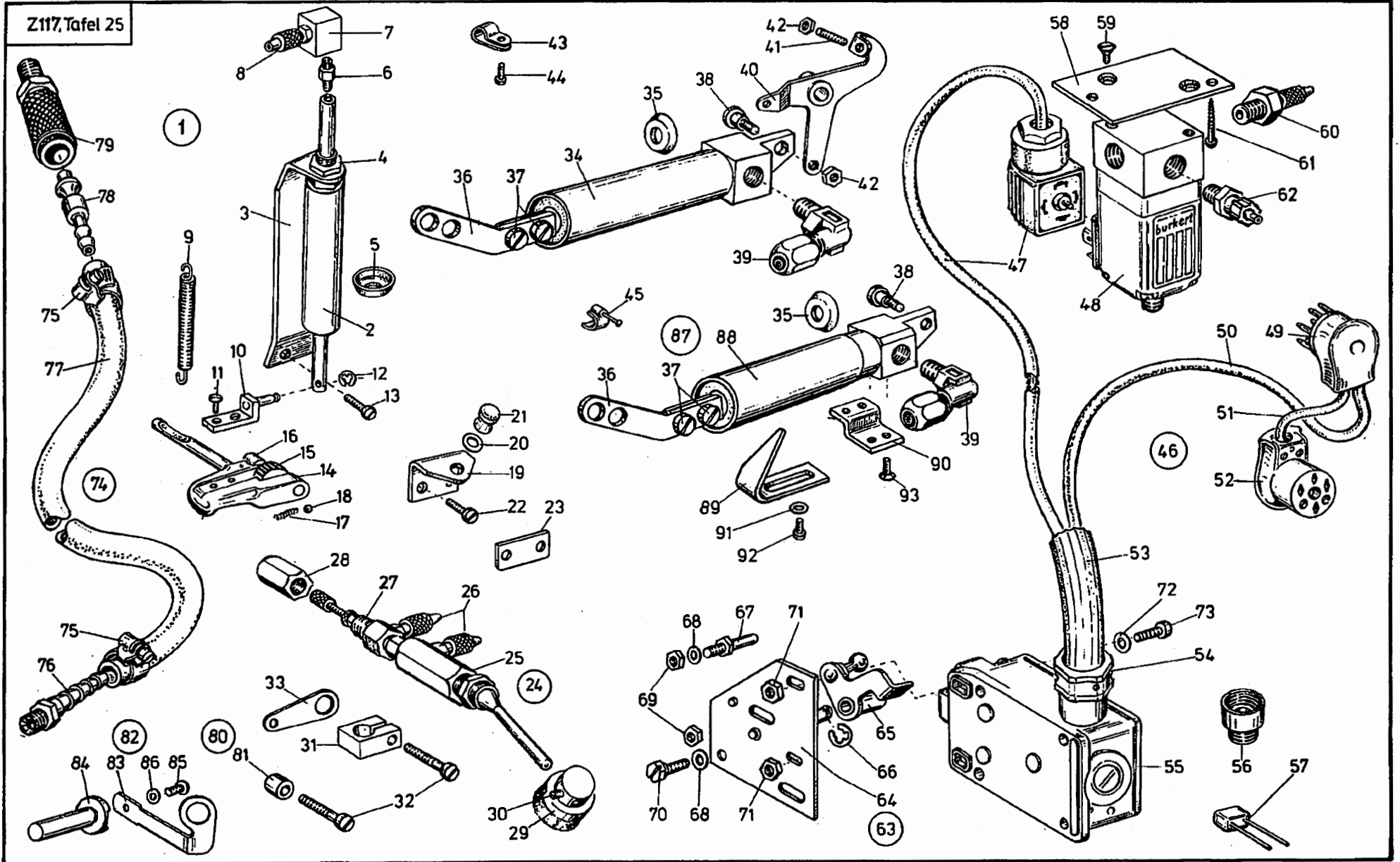


Pos. Det.	Teile Nr. Part No.	Benennung	Denomination	Pos. Det.	Teile Nr. Part No.	Benennung	Denomination	Pos. Det.	Teile Nr. Part No.	Benennung	Denomination
		<b>Z 117-21</b>	<b>Z 117-21</b>								
		siehe auch Tafel 22	see also table 22								
1	24940331	Platte	Plate								
2	7421556	Scheibe	Washer								
3	24940345	Kloben (mit Pos. 4)	Block (with pos. 4)								
4	93910071	6kt.-Schraube	Hexagonal screw								
5	Z11816	Druckstück	Thrust piece								
6	04378	Zyl.-Schraube	Cyl. head screw								
7	23810356	Klemmkloben (mit Pos. 8)	Clamping block (with pos. 8)								
8	21267	6kt.-Schraube	Hexagonal screw								
9	24940354	Bügel	Bow								
10	7421556	Scheibe	Washer								
11	7101450	Holzschraube	Wood screw								
12	570118	Scheibe	Washer								
13	7422241	Zylinder	Cylinder								
14	P12163	Winkelverschr.	Square coupling screw								
15	7422238	Schl.-Verschr.	Hose coupling screw								
16	23810281	Führungsbock	Guide stand								
17	Z11661	Reduzierstück	Reducing piece								
18	Z11641k	Sitzventil (mit Pos. 19 bis 22)	Seat valve (with pos. 19 up to 22)								
19	Z11641a	Dreiwegsitzventil	Three-way valve								
20	7422244	Schl.-Verschr.	Hose coupling screw								
21	Z11647	Drosselventil	Throttle valve								
22	Z11648	Abdeckmutter	Special nut								
23	Z117126	Aufnahme (mit Pos. 24)	Uptake (with pos. 24)								
24	216589	Gewindestift	Threaded stud								
25	Z116258	Winkel an Arm	Angle on arm								
26	01275	Zyl.-Schraube	Cyl. head screw								
27	72171	Anschlußschlauch kpl. (best. aus Pos. 28 bis 32)	Coupling hose cpl. (cons. of pos. 28 up to 32)								
28	Z11577	Anschl.-Schlauch	Coupling hose								
29	7422096	Schlauchklammer	Hose clip								
30	7441793a	Schl.-Kupplung	Hose coupling								
31	7449513	Schlauchtülle	Hose sleeve								
32	Z11538	Schlauchtülle	Hose sleeve								
33	249440	Ölwanne	Oil tray								
34	7442208	Schelle	Clip								
35	21688	Zyl.-Schraube	Cyl. head screw								
36	24717a	Skalablat	Scale plate								

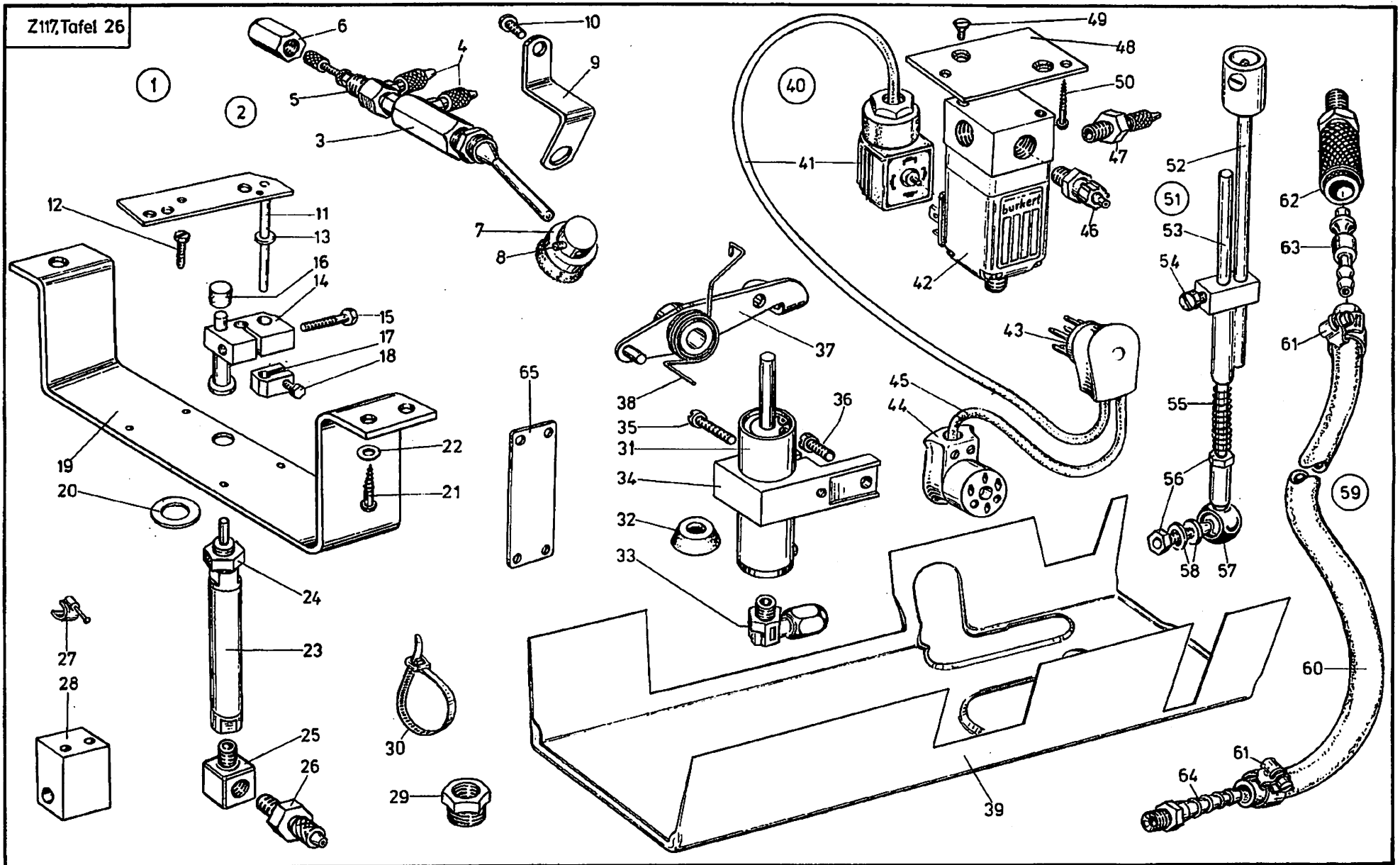


Pos. Det.	Teile Nr. Part No.	Benennung	Denomination	Pos. Det.	Teile Nr. Part No.	Benennung	Denomination	Pos. Det.	Teile Nr. Part No.	Benennung	Denomination
<b>Z 117-32, -34</b>											
<b>Z 117-32</b>											
1	Z1171291	Elektro-pneumat. Stichverriegelung und Füßchenlüftung kpl. (best. aus Pos. 2 bis 48)	Electro-pneumatic stitch locking and foot lifting cpl. (cons. of pos. 2 up to 48)	31	Z116292	Winkel	Square				
2	Z115514	Magnetventil kpl. (best. aus Pos. 3 bis 7)	Solenoid valve cpl. (cons. of pos. 3 up to 7)	32	216103	Mutter	Nut				
3	797312	Magnetventil	Solenoid valve	33	Z11612	Topfmanschette	Cup collar				
4	Z115511	Leitung (mit Kabelkopf)	Cable (with cable pot-head)	34	Z11650	Doppelnippel	Double nipple				
5	MG41/1124	Stecker	6-pole plug	35	Z11651	Winkelstück	Bend elbow				
6	Z127762	Leitung	Cable	36	7422244	Schl.-Verschr.	Hose coupling screw				
7	739494	Kupplung	Coupling	37	Z1171305	Platte	Plate				
8	74423566	Schl.-Verschr.	Hose coupling screw	38	MG41/3013	Zyl.-Schraube	Cyl. head screw				
9	7973191	Schalldämpfer	Silencer	39	5691895	Scheibe	Washer				
10	7422238	Schl.-Verschr.	Hose coupling screw	40	Z116/25	Mitnehmer	Carrier				
11	7443572	Steckverbindung	Plug-in connection	41	10019130	Schraube	Screw				
12	Z115546	Blech	Plate	42	255129	Sicherungsring	Circlip				
13	216123	Zyl.-Schraube	Cyl. head screw	43	Z11616	Stichstell.-Griff (mit Pos. 44 bis 47)	Stitch guide handle (with pos. 44 up to 47)				
14	MG43/2950a	Fächerscheibe	Fan shaped washer	44	211570	Anschlagschraube	Stop screw				
15	Z11641k	Sitzventil (mit Pos. 16 bis 19)	Seat valve (with pos. 16 up to 19)	45	211571	Rändelmutter	Knurled nut				
16	Z11641a	(Dreiwege-)Sitzventil	Three-way valve	46	211668	Kugel	Ball				
17	Z11647	Drosselventil	Throttle valve	47	65045	Druckfeder	Pressure spring				
18	7422244	Schl.-Verschr.	Hose coupling screw	48	212549	Zugfeder	Draw spring				
19	Z11648	Abdeckmutter	Special nut	<b>Z 117-34</b>							
20	Z117126	Aufnahme (mit Pos. 21)	Uptake (with pos. 21)	49	Z1171391	Pneum. Verriegelung kpl. (best. aus Pos. 2 bis 51)	Pneumatic stitch locking cpl. (cons. of pos. 2 up to 51)				
21	216589	Gewindestift	Threaded stud	50	93380872	Schalstück	Contact maker				
22	Z1151	Zylinder (mit Pos. 23 bis 26)	Cylinder (with pos. 23 up to 26)	51	216377	Zyl.-Schraube	Cyl. head screw				
23	Z1159a	Topfmanschette	Cup collar								
24	Z11513	Lasche	Shackle								
25	270631	Zyl.-Schraube	Cyl. head screw								
28	74423558	Winkelverschr.	Square coupling screw								
27	MG8/7d	6kt.-Mutter	Hexagonal nut								
28	10019150	Gew.-Stift	Threaded stud								
29	7442208	Scheile	Clip								
30	Z116292k	Zylinder kpl. (mit Pos. 31 bis 36)	Cylinder cpl. (with pos. 31 up to 36)								



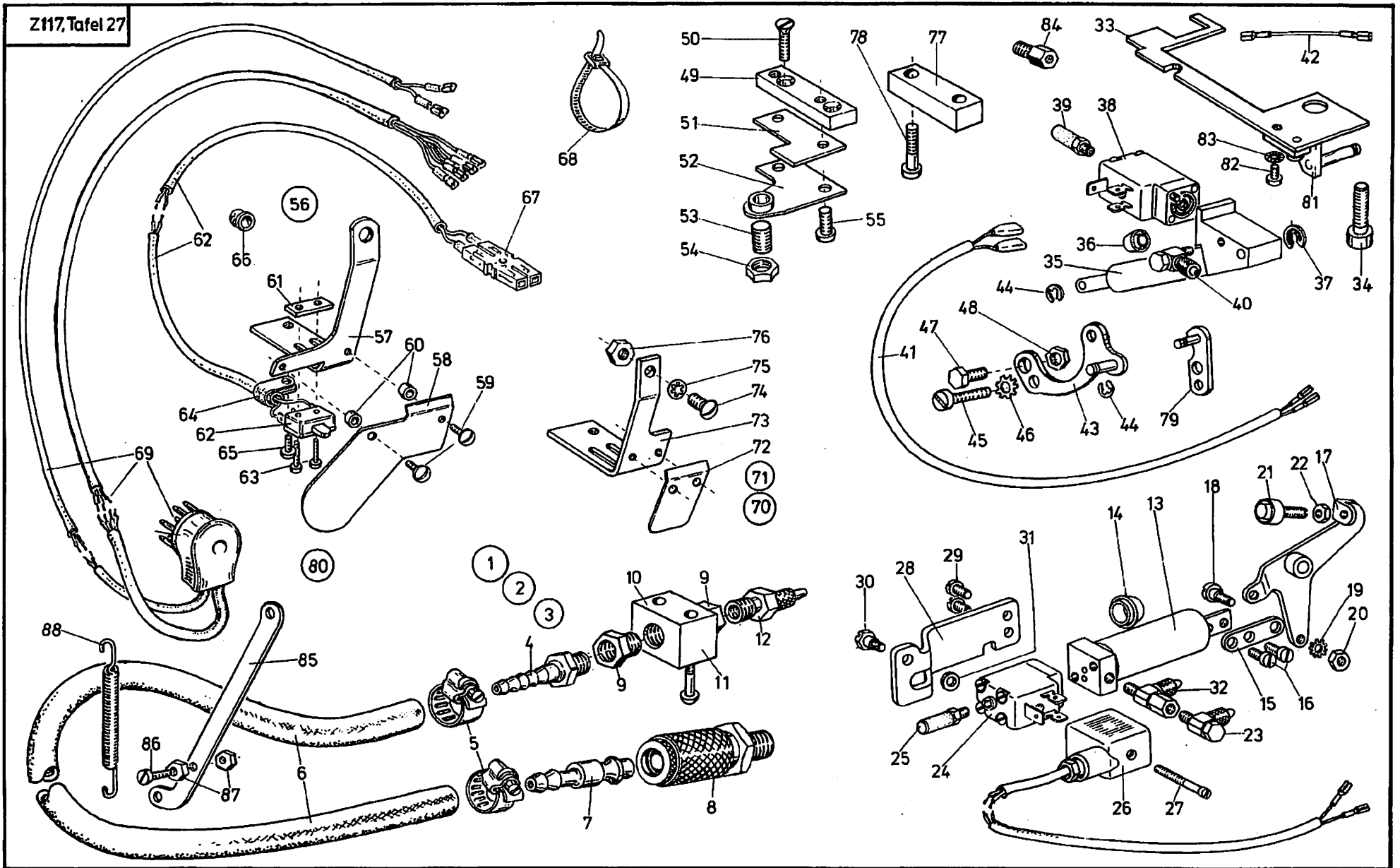


Pos. Det.	Teile Nr. Part No.	Benennung	Denomination	Pos. Det.	Teile Nr. Part No.	Benennung	Denomination	Pos. Det.	Teile Nr. Part No.	Benennung	Denomination
		<b>Z117-51, -52, -53, -54</b>									
		<b>Z117-51</b>									
1	Z117561	Pneumat. Lüftung und Stichstellerbetätigung kpl. (best. aus Pos. 2 bis 79)	Pneumatic lifting and stitch guide operating cpl. (cons. of pos. 2 up to 79)	33	Z11638	Lasche	Shackle	73	21646	Zyl.-Schraube	Cyl. head screw
2	Z1163	Zylinder kpl. (mit Pos. 3 bis 8)	Cylinder cpl. (with pos. 3 up to 8)	34	Z1151	Zylinder (mit Pos. 35 bis 39)	Cylinder (with pos. 35 up to 39)	74	72171	Anschlußschlauch kpl. (best. aus Pos. 75 bis 79)	Coupling hose cpl. (cons. of pos. 75 up to 79)
3	Z1164	Winkel	Square	35	Z1159a	Topfmanschette	Cup collar	75	7422096	Schlauchklemme	Hose clamping
4	216103	Mutter	Nut	36	Z11513	Lasche	Shackle	76	Z11538	Schlauchtülle	Hose nozzle
5	Z11612	Topfmanschette	Cup collar	37	270831	Zyl.-Schraube	Cyl. head screw	77	Z11577	Anschl.-Schlauch	Coupling hose
6	Z11650	Doppelnippel	Double nipple	38	Z11525	Ansatzschraube	Shoulder screw	78	7449513	Schlauchtülle	Hose nozzle
7	Z11651	Winkelstück	Supporting angle piece	39	74423556	Winkelversch.	Square coupling screw	79	7441793a	Schl.-Kupplung	Hose coupling
8	7422244	Schl.-Verschr.	Hose coupling screw	40	Z11521	Übertrag.-Hebel	Transmission lever				
9	212549	Zugfeder	Draw spring	41	10019150	Gew.-Stift	Threaded stud				
10	Z11625	Mitnehmer	Carrier	42	MG8/7d	6kt.-Mutter	Hexagonal nut				
11	10019130	Schraube	Screw	43	7442208	Schelle	Clip				
12	255129	Sicherungsring	Circlip	44	21688	Zyl.-Schraube	Cyl. head screw	80	Z117571	Pneum. Lüftung und Stichstellerbetätigung kpl. (best. aus Pos. 2 bis 30, 32 bis 79 und 81)	Pneumatic lifting and stitch guide operating cpl. (cons. of pos. 2 up to 30, 32 up to 79 and 81)
13	55680	Zyl.-Schraube	Cyl. head screw	45	P121125	Nagelschelle	Nail clip				
14	Z11616	Stichstellergriff (mit Pos. 15 bis 18)	Stitch guide handle (with pos. 15 up to 18)	46	Z115446	Magnetventil kpl. (best. aus Pos. 47 bis 57)	Solenoid valve cpl. (cons. of pos. 47 up to 57)	81	2132010	Buchse	Bush
15	211571	Rändelmutter	Knurlad nut	47	Z11581	Leitung (mit Kabelkopf)	Cable (with cable pot-head)				
16	211570	Anschlagsschraube	Stop screw	48	797312	Magnetventil	Solenoid valve				
17	65045	Druckfeder	Pressure spring	49	MG41/1124	Stecker	6-pole plug				
18	211568	Kugel	Ball	50	Z115447	Leitung	Cable				
19	Z11630	Anschlagswinkel	Back square	51	Z115448	Leitung	Cable	82	Z117581	Pneum. Lüftung und Stichstellerbetätigung kpl. (best. aus Pos. 2 bis 30, 34 bis 79, 83 bis 86)	Pneumatic lifting and stitch guide operating cpl. (cons. of pos. 2 up to 30, 34 up to 79, 83 up to 86)
20	557263	Scheibe	Washer	52	739494	Kupplung	Coupling				
21	21643	Gummipuffer	Rubber buffer	53	Z11595	(Hebiflex-)Schlauch	Hebiflex tube				
22	55680	Zyl.-Schraube	Cyl. head screw	54	7421535	Druckschraube	Pressure screw				
23	211572a	Anschlagblech	Stop plate	55	MG41/1126	Endtaster	Final touch contact	83	Z116191	Lasche	Shackle
24	Z11641k	Sitzventil kpl. (best. aus Pos. 25 bis 28)	Seat valve cpl. (cons. of pos. 25 up to 28)	56	Z11597	Erweiter.-Stück	Enlargement piece	84	2125412	Lagerbolzen	Bearing bolt
25	Z11641a	(Dreiweg-)Sitzventil	Three-way valve	57	739311	Diode	Diode	85	216406	Zyl.-Schraube	Cyl. head screw
26	7422244	Schl.-Verschr.	Hose coupling screw	58	Z11533a	Platte	Plate	86	055147	Scheibe	Washer
27	Z11647	Drosselventil	Throttle valve	59	6692900	Schraube	Screw				
28	Z11648	Abdeckmutter	Special nut	60	7422238	Schl.-Verschr.	Hose coupling screw				
29	Z117126	Aufnahme (mit Pos. 30)	Uptake (with pos. 30)	61	MG41/1364	Holzschraube	Wood screw				
30	216589	Gew.-Stift	Threaded stud	62	74423566	Schl.-Verschr.	Hose coupling	87	Z117591	Pneum. Lüftung und Stichstellerbetätigung kpl. (best. aus Pos. 2 bis 33, 35 bis 79, 88 bis 93)	Pneumatic lifting and stitch guide operating cpl. (cons. of pos. 2 up to 33, 35 up to 79, 88 up to 93)
31	Z11635	Aufnahmekloben (mit Pos. 32)	Uptake block (with pos. 32)	63	Z11541k	Platte kpl. (best. aus Pos. 64 bis 69)	Plate cpl. (cons. of pos. 64 up to 69)	88	Z1171105	Zylinder kpl. (mit Pos. 35 bis 39)	Cylinder cpl. (with pos. 35 up to 39)
32	216377	Zyl.-Schraube	Cyl. head screw	64	Z11541	Platte	Plate	89	Z1171110	Winkel	Angle
				65	Z11551	Hebel	Lever	90	Z1171108	Bef.-Winkel	Angle bracket
				66	211100a	Sicher.-Scheibe	Safety washer	91	5691895	Scheibe	Washer
				67	216359	Gew.-Bolzen	Threaded bolt	92	223700	Zyl.-Schraube	Cyl. head screw
				68	557263	Scheibe	Washer	93	7395347	Senkschraube	Countersunk screw
				69	MG43/408	6kt.-Mutter	Hexagonal nut				
				70	7441668	6kt.-Schraube	Hexagonal screw				
				71	202704	6kt.-Mutter	Hexagonal nut				
				72	5691895	Scheibe	Washer				



Pos. Det.	Teile Nr. Part No.	Benennung	Denomination	Pos. Det.	Teile Nr. Part No.	Benennung	Denomination	Pos. Det.	Teile Nr. Part No.	Benennung	Denomination
<b>Z 117-121</b>											
1	Z 117941	Elektro-pneumatische Lüftung und Stichstellerbetätigung kpl. (best. aus Pos. 2 bis 65)	Electro-pneumatic lifting and stitch guide operating cpl. (cons. of pos. 2 up to 65)	33	74423556	Schl.-Verschr.	Hose coupling screw				
2	Z 11641k	Sitzventil kpl. (best. aus Pos. 3 bis 6)	Seat valve cpl. (cons. of pos. 3 up to 6)	34	Z 115422	Kloben (mit Pos. 35)	Block (with pos. 35)				
3	Z 11641a	(Dreiwege-) Sitzventil	Three-way valve	35	216377	Zyl.-Schraube	Cyl. head screw				
4	7422244	Schl.-Verschr.	Hose coupling screw	36	213370	Zyl.-Schraube	Cyl. head screw				
5	Z 11647	Drosselventil	Throttle valve	37	Z 115427	Hebel	Lever				
6	Z 11648	Abdeckmutter	Special nut	38	Z 115408	Drehfeder	Torsion spring				
7	Z 117126	Aufnahme (mit Pos. 8)	Uptake (with pos. 8)	39	249440	Ölwanne	Oil tray				
8	216589	Gew.-Stift	Threaded stud	40	Z 115614	Magnetventil kpl. (best. aus Pos. 41 bis 46)	Solenoid valve cpl. (cons. of pos. 41 up to 46)				
9	Z 116258	Winkel	Angle	41	Z 115511	Leitung (mit Kabelkopf)	Cable (with cable pot-head)				
10	01275	Zyl.-Schraube	Cyl. head screw	42	797312	Magnetventil	Solenoid valve				
11	24940331	Platte	Plate	43	MG 41/1124	Stecker	6-pole plug				
12	04378	Zyl.-Schraube	Cyl. head screw	44	739494	Kupplung	Coupling				
13	7421556	Scheibe	Washer	45	Z 127762	Leitung	Cable				
14	24940346	Kloben (mit Pos. 15)	Block (with pos. 15)	46	74423566	Schl.-Verschr.	Hose coupling screw				
15	93910071	6kt.-Schraube	Hexagonal screw	47	7422238	Schl.-Verschr.	Hose coupling screw				
16	Z 11816	Druckstück	Thrust piece	48	Z 11533a	Platte	Plate				
17	23810356	Klemmkloben (mit Pos. 18)	Clamping block (with pos. 18)	49	6692900	Schraube	Screw				
18	21267	6kt.-Schraube	Hexagonal screw	50	MG 41/1364	Holzschraube	Wood screw				
19	24940354	Bügel	bow	51	MG 43/431	Gestänge kpl. (best. aus Pos. 52 bis 58)	Rods cpl. (cons. of pos. 52 up to 58)				
20	570118	Scheibe	Washer	52	MG 43/432	Gestängeführung	Rods guidance				
21	7101460	Holzschraube	Wood screw	53	211/10801	stange	Rod				
22	7421556	Scheibe	Washer	54	556607	Zyl.-Schraube	Cyl. head screw				
23	7422241	Zylinder kpl. (mit Pos. 24)	Cylinder cpl. (with pos. 24)	55	570562	Druckfeder	Pressure spring				
24	7441884	6kt.-Mutter	Hexagonal nut	56	MG 43/409	6kt.-Mutter	Hexagonal nut				
25	P12153	Winkelstück	Bend elbow	57	5662267	Kugelgelenk	Ball-and-socket joint				
26	7422238	Schl.-Verschr.	Hose coupling screw	58	MG 43/2510	Scheibe	Washer				
27	P121125	Nagelschelle	Nail clip	59	72171	Anschlußschlauch kpl. (best. aus Pos. 60 bis 64)	Coupling hose cpl. (cons. of pos. 60 up to 64)				
28	23810281	Führungsbock	Guide stand	60	Z 11577	Anschl.-Schlauch	Coupling hose				
29	Z 11661	Reduzierstück	Reducer	61	7422098	Schlauchklemme	Hose clip				
30	7441978	Kabelband	Cable band	62	7441793a	Schl.-Kupplung	Hose coupling				
31	Z 115403	Zylinder kpl. (mit Pos. 32)	Cylinder cpl. (with pos. 32)	63	7449513	Schlauchtülle	Hose sleeve				
32	Z 1159a	Topfmanschette	Cup collar	64	Z 11538	Schlauchtülle	Hose sleeve				
				65	24717a	Skalablech	Scale plate				



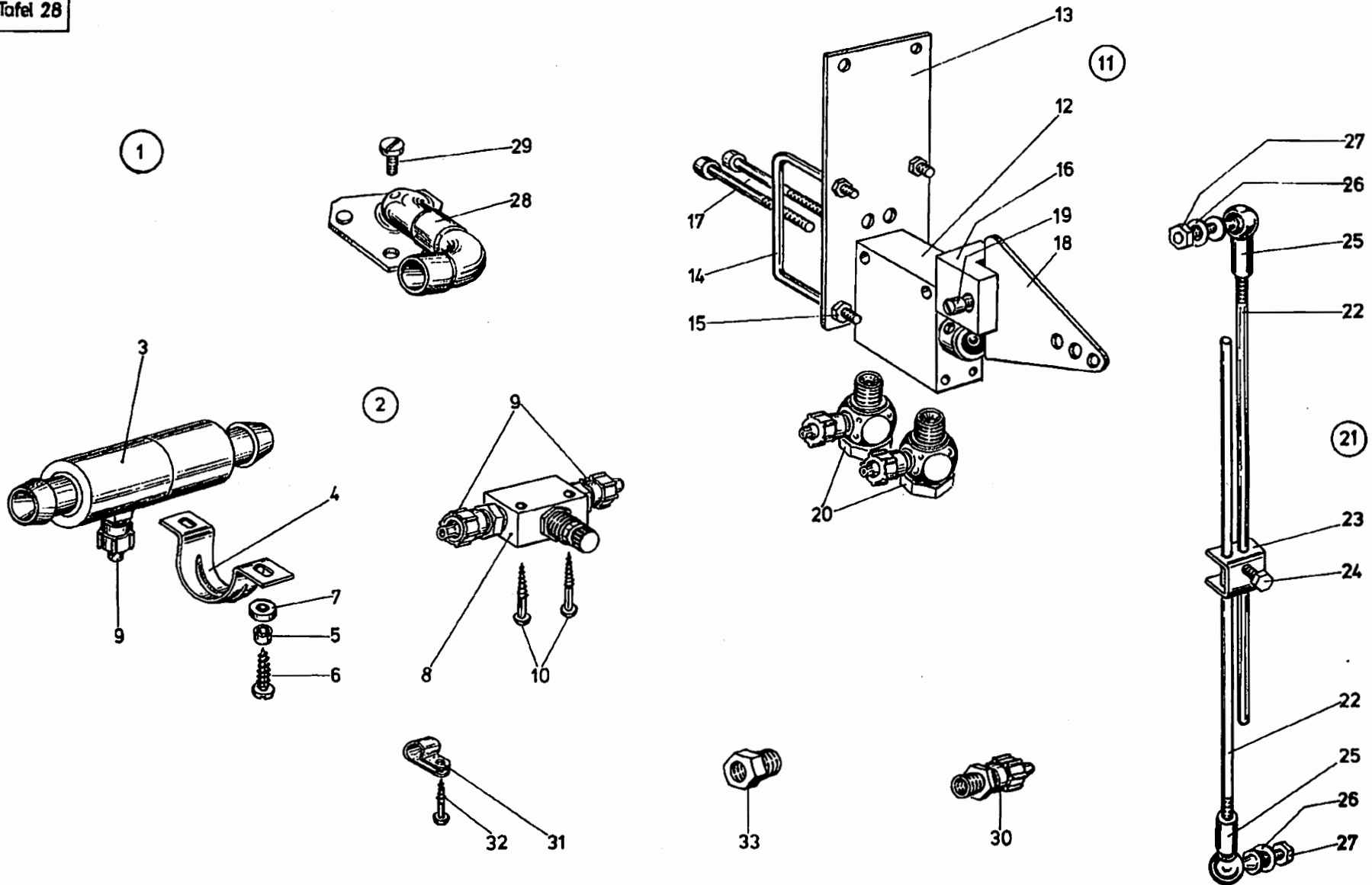


Pos. Det.	Teile Nr. Part No.	Benennung	Denomination
<b>Z 117-211, -244, -255</b>			
1	Z 1171601	Fußlüftung mit Handtaster und Verriegelung kpl. (best. aus Pos. 2, 32, 33 bis 55, 56, 81 bis 83)	Foot lifting with hand sensor and locking device cpl. (cons. of pos. 2, 32, 33 up to 55, 56, 81 up to 83)
2	Z 115901	Pneumat. Lüftung kpl. (best. aus Pos. 3, 9 bis 12, 13 bis 31)	Pneumatic lifting cpl. (cons. of pos. 3, 9 up to 12, 13 up to 31)
3	72171	Anschlußschlauch (mit Pos. 4 bis 8)	Coupling hose (with pos. 4 up to 8)
4	Z 11538	Schlauchtülle	Hose sleeve
5	7422096	Schlauchklemme	Hose clip
6	Z 11577	Schlauch	Hose
7	7449513	Tülle	Sleeve
8	7441793a	Kupplungsdose	Coupling socket
9	Z 11861	Reduzierstück	Reducer
10	Z 11856	Aufnahmestück	Retainer
11	560771	Holzschraube	Wood screw
12	7422238	Schl.-Verschr.	Hose coupling screw
13	24414578	Zylinder (mit Pos. 14)	Cylinder (with pos. 14)
14	7461547	Lippenring	Lip ring
15	24414602	Lasche	Shackle
16	270631	Zyl.-Schraube	Cyl. head screw
17	24414611	Übertr.-Hebel	Transmission lever
18	5661676a	Ansatzschraube	Shoulder screw
19	557111	Zahnscheibe	Tooth lock washer
20	237202	6kt.-Mutter	Hexagonal nut
21	24414619	Anschlagschraube	Stop screw
22	MG8/7d	6kt.-Mutter	Hexagonal nut
23	746768	Schl.-L-Verschr.	Hose-L-coupling screw
24	797319	Magnetventil	Solenoid valve
25	Z 11649	Schalldämpfer	Silencer
26	24414695	Steckverbindung (mit Leitung)	Plug-in connection (with cable)
27	739404	Zyl.-Schraube	Cyl. head screw
28	24414605	Halteblech	Retaining plate
29	270631	Zyl.-Schraube	Cyl. head screw

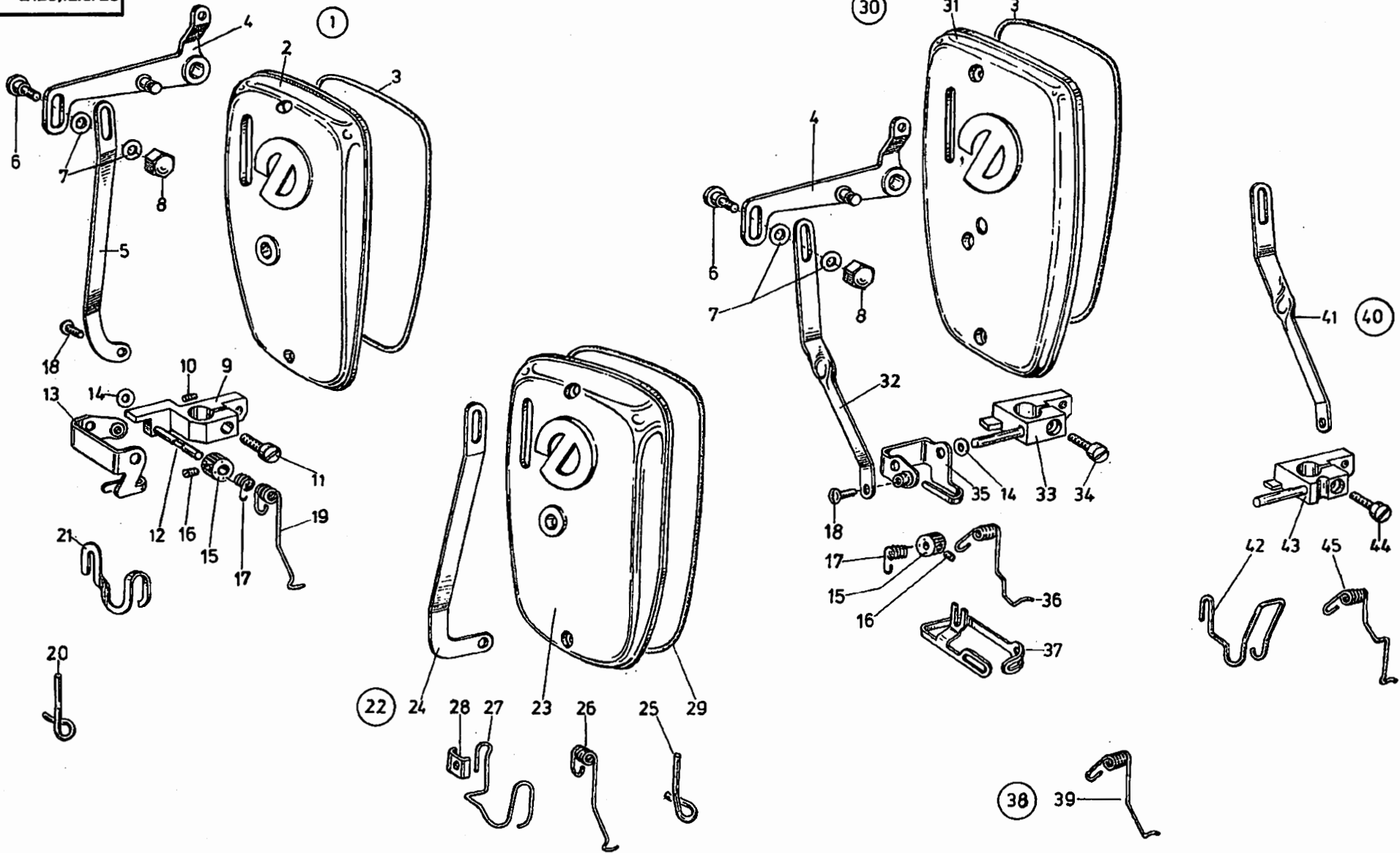
Pos. Det.	Teile Nr. Part No.	Benennung	Denomination
30	24414607	Ansatzschraube	Shoulder screw
31	380289	Scheibe	Washer
32	7972312	(Schwenkb.) L-Verschr.	L-Hose coupling screw
33	Z 116703a	Platte kpl. (mit Pos. 81, 82, 83)	Plate cpl. (with pos. 81, 82, 83)
34	5564a	Zyl.-Schraube	Cyl. head screw
35	24414547	Zylinder kpl. (mit Pos. 36)	Cylinder cpl. (with pos. 36)
36	21154075	Lippenring	Lip ring
37	211100a	Sicher.-Scheibe	Safety washer
38	797319	Magnetventil	Solenoid valve
39	Z 11649	Schalldämpfer	Silencer
40	746768	Schl.-L-Verschr.	Hose coupling L-screw
41	24414571	Leitung	Cable
42	24414667	Leitung	Cable
43	Z 116717	Hebel	Lever
44	255129	Sicher.-Scheibe	Safety washer
45	21131	Zyl.-Schraube	Cyl. head screw
46	557111	Federscheibe	Spring washer
47	5601941	Schraube	Screw
48	MG43/408	6kt.-Mutter	Hexagonal nut
49	Z 116725	Lagerbock	Pillow block
50	5702382	Senkschraube	Countersunk screw
51	21154247	Platte	Plate
52	21154241	Blattfeder	Leaf spring
53	21154245	Gewindestift	Threaded stud
54	21154246	6kt.-Mutter	Hexagonal nut
55	902602	Schraube	Screw
56	Z 116741	Taster kpl. (best. aus Pos. 57 bis 69)	Sensor cpl. (cons. of pos. 57 up to 69)
57	Z 116742	Haltewinkel	Supporting angle
58	Z 116743	Schaltblech	Operating plate
59	10019130	Linsenschraube	Fillister head screw
60	2132038	Abstandsbuchse	Distance sleeve
61	Z 116747	Lasche	Shackle
62	Z 116751	Leitung (Mikrosch.)	Cable (Micro-switch)
63	Z 125118	Zyl.-Schraube	Cyl. head screw
64	94210318	Schelle	Clip
65	223700	Zyl.-Schraube	Cyl. head screw
66	21113	Kunststoffmuffa	Plastic sleeve
67	7465428	Steckverbinder	Plug-in connection
68	Z 151302	Kabelband	Cable band
69	Z 116761	Leitung	Cable

Pos. Det.	Teile Nr. Part No.	Benennung	Denomination
70	Z 1171701	Fußlüftung mit Handtaster und Verriegelung kpl. (best. aus Pos. 2, 32, 33 bis 42, 44, 46, 47, 51 bis 54, 71, 77, 78, 79, 81 bis 84 und Pos. 50 aus Tafel 19)	Foot lifting with hand sensor and locking device cpl. (cons. of pos. 2, 32, 33 up to 42, 44, 46, 47, 51 up to 54, 71, 77, 78, 79, 81 up to 84 and pos. 50 ex table 19)
71	Z 116871	Taster kpl. (best. aus Pos. 59 bis 69, 72 bis 76)	Sensor cpl. (cons. of pos. 59 up to 69, 72 up to 76)
72	Z 116873	Schaltblech	Operating plate
73	Z 116872	Haltewinkel	Supporting square
74	219353	Linsenschraube	Fillister head screw
75	739347	Zahnscheibe	Tooth lock washer
76	7395105	6kt.-Mutter	Hexagonal nut
77	21154248	Lagerbock	Pillow block
78	10019129	Zyl.-Schraube	Cyl. head screw
79	21255712	Lasche	Shackle
80	Z 1171801	Fußlüftung und Handtaster und Verriegelung kpl. (best. aus Pos. 2, 32, 33 bis 42, 44, 46, 47, 51 bis 54, 56, 81 bis 84)	Foot lifting with hand sensor and locking device cpl. (cons. of pos. 2, 32, 33 up to 42, 44, 46, 47, 51 up to 54, 56, 81 up to 84)
81	26513743	Winkel	Angle
82	21698	Zyl.-Schraube	Cyl. head screw
83	739347	Zahnscheibe	Tooth lock washer
84	7462208	Verbind.-Stück	Joining piece
85	21154023	Verbind.-Stange	Connecting rod
86	213370	Zyl.-Schraube	Cyl. head screw
87	237202	6kt.-Mutter	Hexagonal nut
88	21154671	Zugfeder	Tension spring

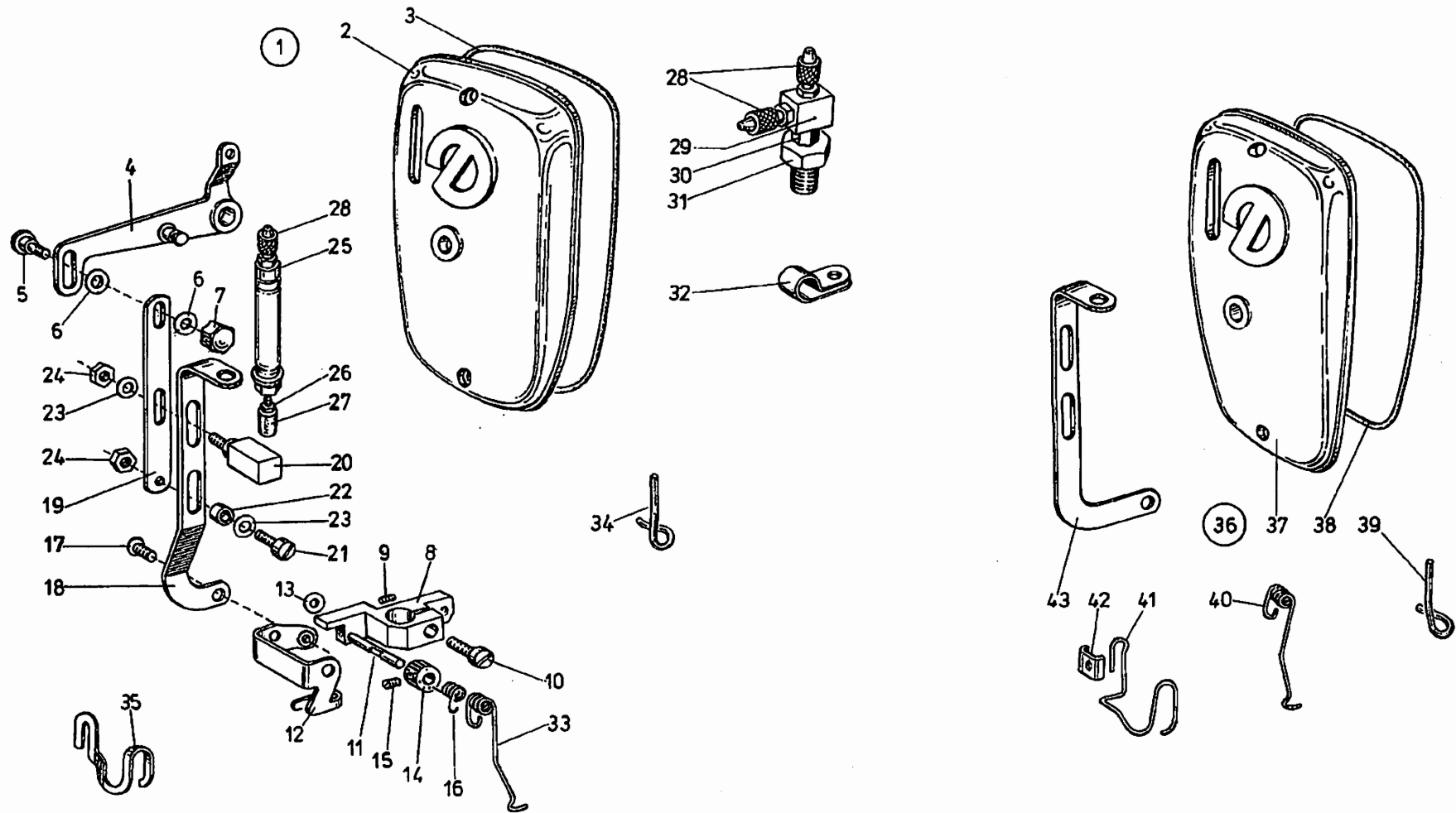




Pos. Det.	Teile Nr. Part No.	Benennung	Denomination	Pos. Det.	Teile Nr. Part No.	Benennung	Denomination	Pos. Det.	Teile Nr. Part No.	Benennung	Denomination
<b>Z 119-9</b>											
1	Z119201	Absaugpumpe kpl. (best. aus Pos. 2, 11, 20, 21, 28, 29, 30, 31, 32, 33)	Suction pump cpl. (cons. of pos. 2, 11, 20, 21, 28, 29, 30, 31, 32, 33)								
2	Z119101	Pumpe kpl. (best. aus Pos. 3, 4, 5, 6, 7, 8, 9, 10)	Pump cpl. (cons. of pos. 3, 4, 5, 6, 7, 8, 9, 10)								
3	Z119102	Pumpe	Pump								
4	MG41/4890	Rohrschelle	Pipe clamp								
5	7421699	Buchse	Bush								
6	7426268	Blech-Schraube	Sheet metal screw								
7	NB311/12	Scheibe	Washer								
8	7441820	Ventil	Valve								
9	7441816	Schl.-Verschr.	Hose coupling screw								
10	2119700	Holzschraube	Wood screw								
11	Z126122	Ventil kpl. (best. aus Pos. 12, 13, 14, 15, 16, 17, 18, 19)	Valve cpl. (cons. of pos. 12, 13, 14, 15, 16, 17, 18, 19)								
12	7449317	Ventil	Valve								
13	Z126141	Bef.-Blech	Fastening plate								
14	NBO/1720	Bügel	Bow								
15	MG8/7d	6kt.-Mutter	Hexagonal nut								
16	Z126145	Lagerbock	Pillow block								
17	MG46690	Zyl.-Schraube	Cyl. head screw								
18	Z126148	Habel	Lever								
19	10019141	Schraube	Screw								
20	74423514	Verschraubung	Screwed connection								
21	MG43/401	Trittstange kpl. (best. aus Pos. 22, 23, 24, 25, 26, 27)	Connecting rod cpl. (cons. of pos. 22, 23, 24, 25, 26, 27)								
22	MG43/402	Stange	Rod								
23	MG43/403	Klemme	Clamp								
24	MG43/404	6kt.-Schraube	Hexagonal screw								
25	5562267	Gelenk	Joint								
26	MG43/2610	Scheibe	Washer								
27	MG43/409	6kt.-Mutter	Hexagonal nut								
28	93370181	Abdeckblech	Covering plate								
29	556607	Zyl.-Schraube	Cyl. head screw								
30	7441816	Schl.-Verschr.	Hose coupling screw								
31	93311424	Befest.-Schelle	Fastening clip								
32	2119700	Holzschraube	Wood screw								
33	Z11681	Reduzierstück	Reducer								

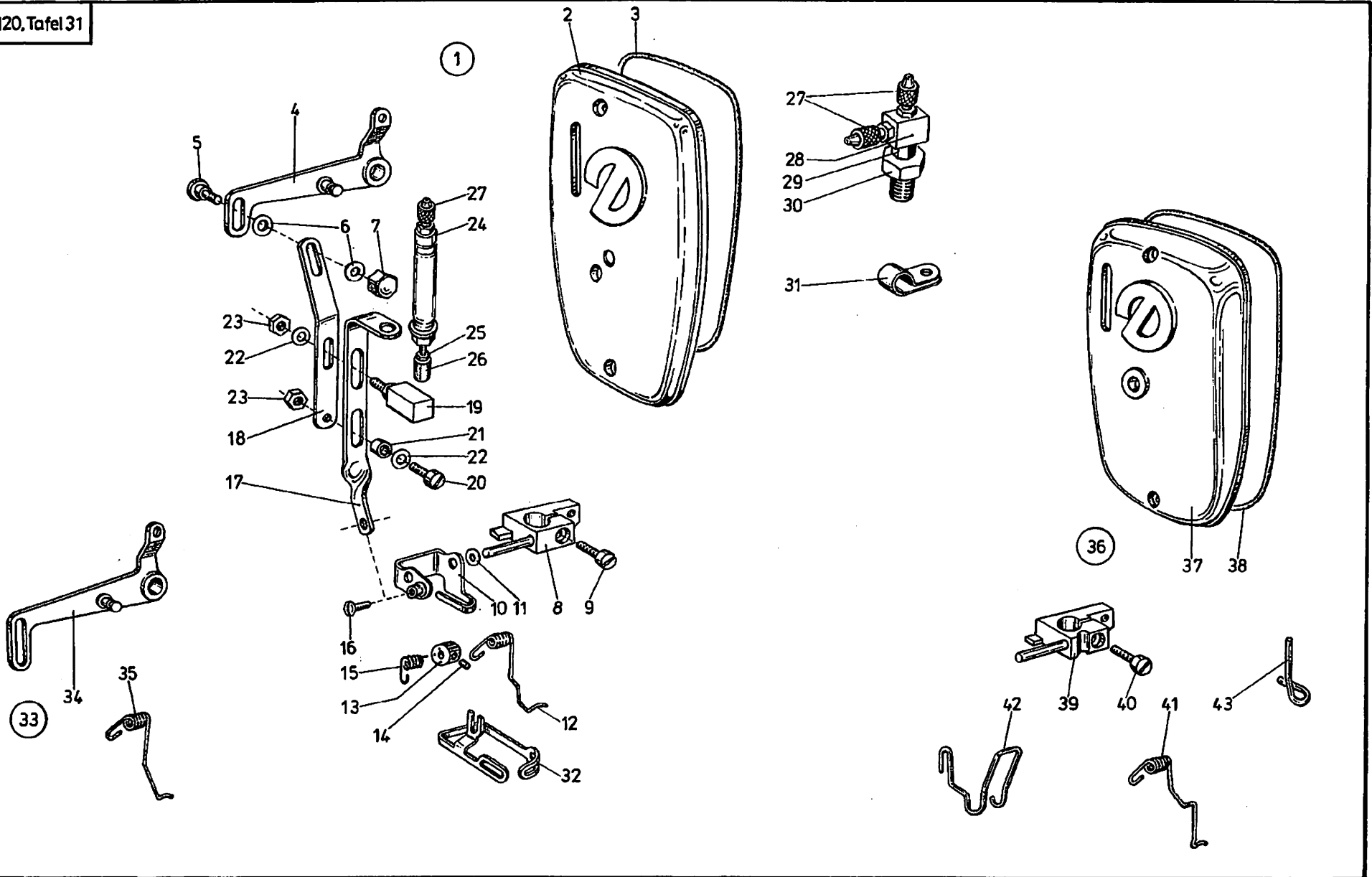


Pos. Det.	Teile Nr. Part No.	Benennung	Denomination	Pos. Det.	Teile Nr. Part No.	Benennung	Denomination	Pos. Det.	Teile Nr. Part No.	Benennung	Denomination
		<b>Z 120-1; -2; -5; -8; -9</b>									
		<b>Z 120-1</b>									
1	Z 120161	Fadenwischer kpl. (best. aus Pos. 2 bis 21)	Thread wiper arm assembly cpl. (cons. of pos. 2 up to 21)	27	Z 120209	Fingerschutz	Finger guard	44	213370	Zyl.-Schraube	Cyl. head screw
2	Z 120163	Kopfdeckel (mit Pos. 3)	Face plate (with pos. 3)	28	931157	Klemmstück	Clamp	45	Z 120198	Fadenwischer	Thread wiper
3	216471	Rundschnurring	Round cord ring	29	212297	Rundschnurring	Round cord ring				
4	Z 120106	Hebel	Lever			<b>Z 120-5</b>					
5	Z 120165	Zugstange	Traction rod	30	Z 120101	Fadenwischer kpl. (best. aus Pos. 4, 6, 7, 8, 14 bis 18 und 31 bis 37)	Thread wiper arm assembly cpl. (cons. of pos. 4, 6, 7, 8, 14 up to 18 and 31 up to 37)				
6	Z 120112	Ansatzschraube	Shoulder screw	31	Z 120103	Kopfdeckel (mit Pos. 3)	Face plate (with pos. 3)				
7	024275	Scheibe	Washer	32	Z 120111	Zugstange	Traction rod				
8	7422203	Hutmutter	Dome nut	33	Z 120117	Kloben (mit Pos. 34)	Block (with pos. 34)				
9	Z 120166	Kloben (mit Pos. 10, 11, 12)	Block cpl. (with pos. 10, 11, 12)	34	213370	Zylinderschraube	Cyl. head screw				
10	21688	Gew.-Stift	Threaded stud	35	Z 120124	Wischerhebel	Wiper arm				
11	213370	Zyl.-Schraube	Cyl. head screw	36	Z 120131	Fadenwischer	Thread wiper				
12	Z 120169	Bolzen	Bolt	37	Z 120133	Fingerschutz	Finger guard				
13	Z 120171	Wischerhebel	Wiper arm			<b>Z 120-6</b>					
14	902514	Scheibe	Washer	38	Z 120151	Fadenwischer kpl. (best. aus Pos. 4, 6, 7, 8, 14 bis 18, 31, 32, 33, 34, 35, 37, 39)	Thread wiper arm assembly cpl. (cons. of pos. 4, 6, 7, 8, 14 up to 18, 31, 32, 33, 34, 35, 37, 39)				
15	Z 120135	Stellring (mit Pos. 16)	Set collar (with pos. 16)	39	Z 120153	Fadenwischer	Thread wiper				
16	531464	Gew.-Stift	Threaded stud			<b>Z 120-9</b>					
17	Z 120139	Drehfeder	Torsion spring	40	Z 120191	Fadenwischer kpl. (best. aus Pos. 4, 6, 7, 8, 14, 15, 16, 17, 18, 23, 25, 29, 35)	Thread wiper arm assembly cpl. (cons. of pos. 4, 6, 7, 8, 14, 15, 16, 17, 18, 23, 25, 29, 35)				
18	911339	Schraube	Fillister head screw	41	Z 120193	Zugstange	Traction rod				
19	Z 120174	Fadenwischer	Thread wiper	42	Z 120194	Fingerschutz	Finger guard				
20	Z 120176	Fadenöse	Thread eye	43	Z 120195	Kloben (mit Pos. 44)	Block (with pos. 44)				
21	Z 120178	Fingerschutz	Finger guard								
		<b>Z 120-2</b>									
22	Z 120201	Fadenwischer kpl. (best. aus Pos. 4, 6 bis 18; 23 bis 29)	Thread wiper arm assembly cpl. (cons. of pos. 4, 6 up to 18; 23 up to 29)								
23	Z 120203	Kopfdeckel (mit Pos. 29)	Face plate (with pos. 29)								
24	Z 120206	Zugstange	Traction rod								
25	Z 120207	Fadenöse	Thread eye								
26	Z 120208	Fadenwischer	Thread wiper								

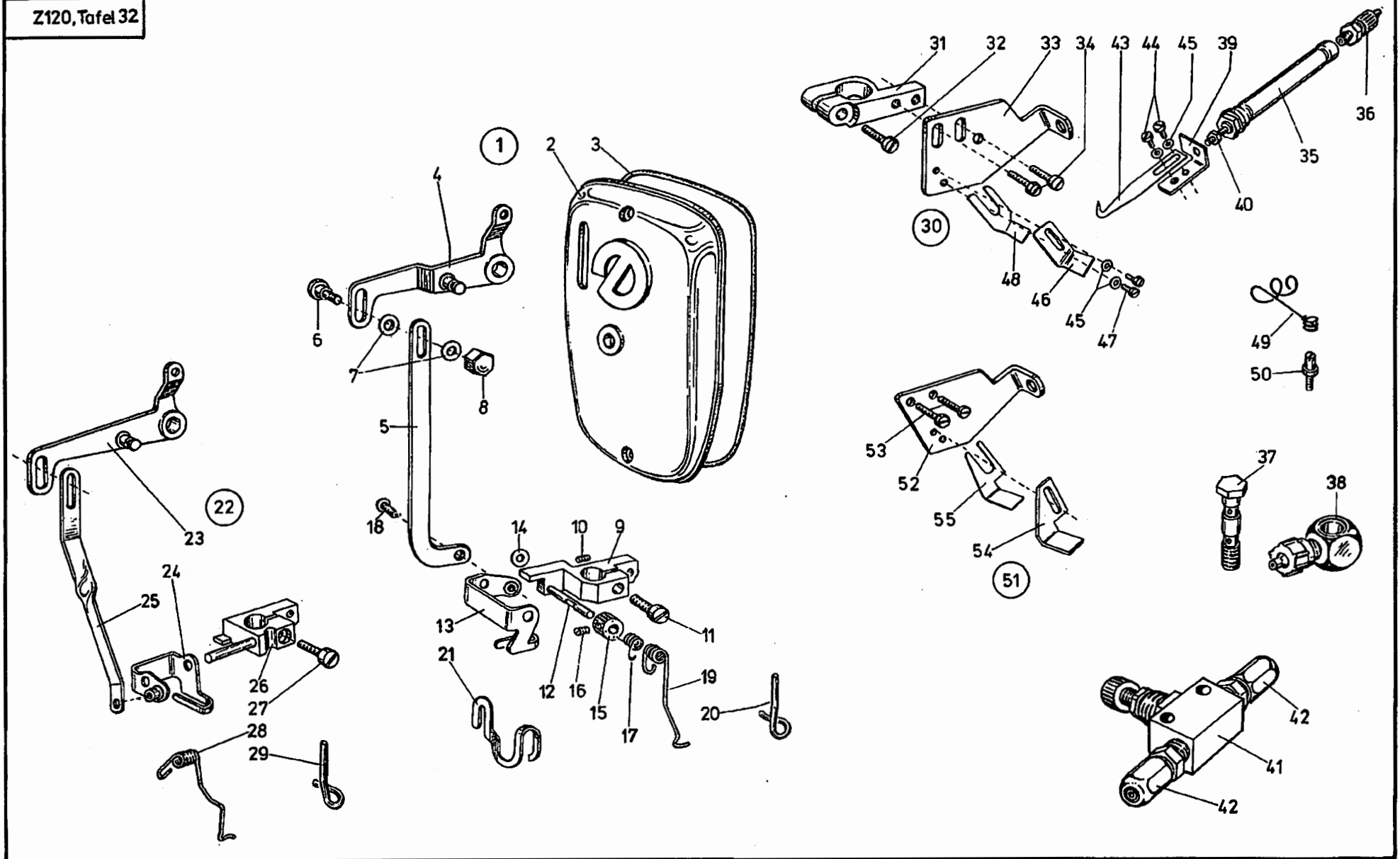


Pos. Det.	Teile Nr. Part No.	Benennung	Denomination	Pos. Det.	Teile Nr. Part No.	Benennung	Denomination	Pos. Det.	Teile Nr. Part No.	Benennung	Denomination
<b>Z 120-11; -12</b>				<b>Z 120-12</b>							
<b>Z 120-11</b>				<b>Z 120-12</b>							
1	Z 120341	Pneumat. Fadenwischer kpl. (best. aus Pos. 2 bis 35)	Pneumatic thread wiper cpl. (cons. of pos. 2 up to 35)	36	Z 120401	Pneumat. Fadenwischer kpl. (best. aus Pos. 4 bis 11, 13, 14, 15, 16, 18 bis 32 und 37 bis 43)	Pneumatic thread wiper cpl. (cons. of pos. 4 up to 11, 13, 14, 15, 16, 18 up to 32 and 37 up to 43)				
2	Z 120163	Kopfdeckel (mit Pos. 30)	Face plate (with pos. 3)	37	Z 120203	Kopfdeckel (mit Pos. 38)	Face plate (with pos. 38)				
3	216471	Rundschnurring	Round cord ring	38	212297	Rundschnurring	Round cord ring				
4	Z 120106	Hebel	Lever	39	Z 120207	Fadenöse	Thread eye				
6	Z 120112	Ansatzschraube	Shoulder screw	40	Z 120208	Fadenwischer	Thread wiper				
6	024275	Scheibe	Washer	41	Z 120209	Fingerschutz	Finger guard				
7	7422203	Hutmutter	Dome nut	42	931157	Klemmstück	Clamp				
8	Z 120166	Kloben (mit Pos. 9, 10, 11)	Block (with pos. 9, 10, 11)	43	Z 120427	Wischerzugstange	Wiper traction rod				
9	21688	Gew.-Stift	Threaded stud								
10	213370	Zyl.-Schraube	Cyl. head screw								
11	Z 120169	Bolzen	Bolt								
12	Z 120171	Wischerhebel	Wiper arm								
13	902514	Schelbe	Washer								
14	Z 120135	Stellring (mit Pos. 15)	Set collar (with pos. 15)								
15	531464	Gew.-Stift	Threaded stud								
16	Z 120139	Drehfeder	Torsion spring								
17	911339	Schraube	Phillister head screw								
18	Z 120347	Wischerzugstange	Wiper traction rod								
19	Z 120348	Zugstange	Traction rod								
20	Z 120349	Anschlagstift	Stop pin								
21	216120	Zyl.-Schraube	Cyl. head screw								
22	2132038	Buchse	Distance bush								
23	5691895	Scheibe	Washer								
24	202704	Mutter	Hexagonal nut								
25	Z 120366	Zylinder	Cylinder								
26	5511824	6kt.-Mutter	Hexagonal nut								
27	Z 120368	Druckstück	Thrust piece								
28	7422244	Schl.-Verschr.	Hose coupling screw								
29	7449183	T-Stück	T-piece								
30	Z 120362	Reduzierstück	Reducer								
31	Z 11650	Doppelnippel	Double nipple								
32	7442208	Schelle	Fastening clip								
33	Z 120174	Fadenwischer	Thread wiper								
34	Z 120176	Fadenöse	Thread eye								
35	Z 120178	Fingerschutz	Finger guard								

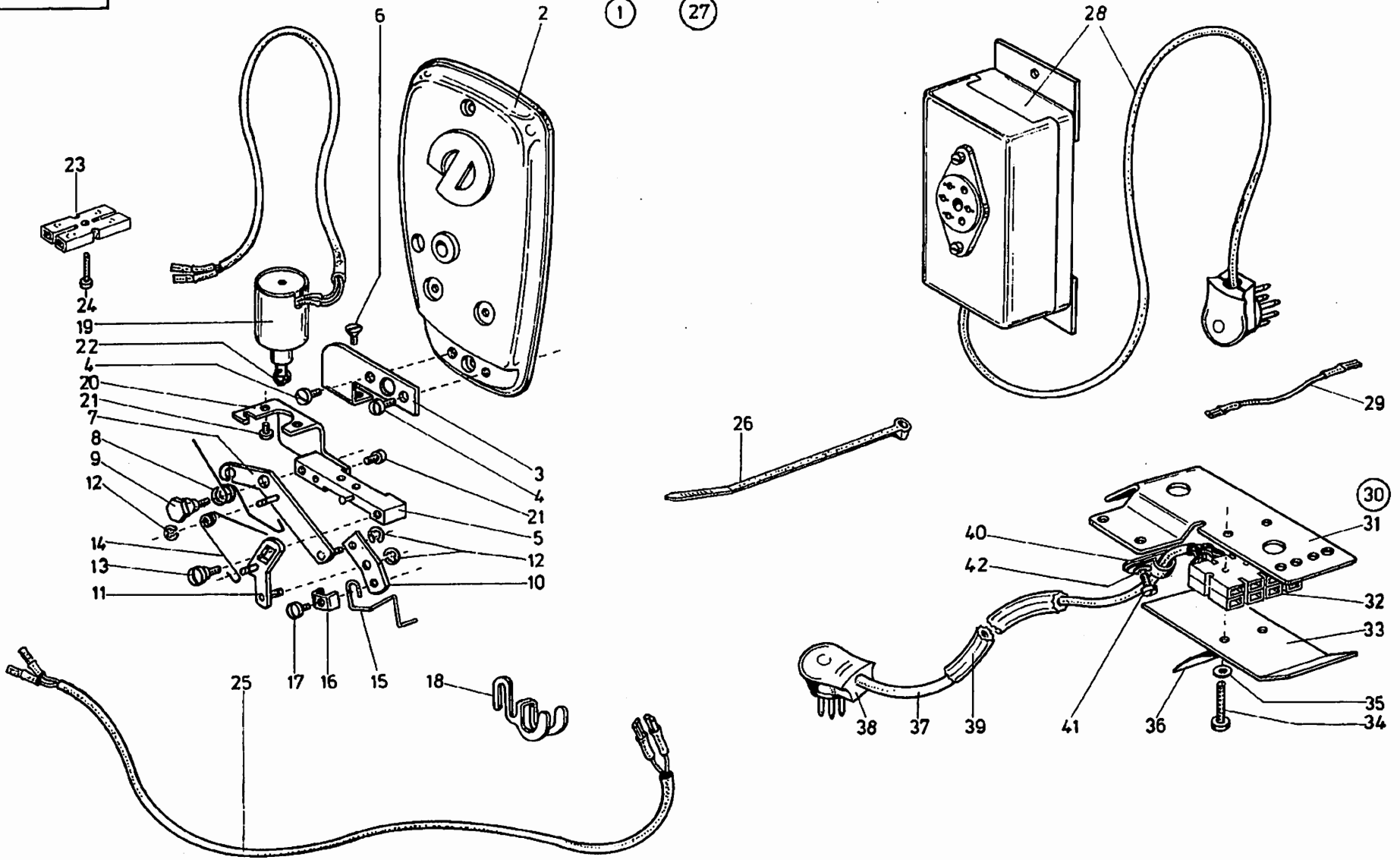




Pos. Det.	Teile Nr. Part No.	Benennung	Denomination	Pos. Det.	Teile Nr. Part No.	Benennung	Denomination	Pos. Det.	Teile Nr. Part No.	Benennung	Denomination
		<b>Z 120-15;-19</b>									
		<b>Z 120-15</b>									
1	Z120601	Pneumat. Fadenwischer kpl. (best. aus Pos. 2 bis 31)	Pneumatic thread wiper arm assembly cpl. (cons. of pos. 2 up to 31)	33	Z120627	Pneumat. Fadenwischer kpl. (best. aus Pos. 2, 4 bis 11, 13 bis 31, 33, 34) für Kl. 265-115135	Pneumatic thread wiper arm assembly cpl. (cons. of pos. 2, 4 up to 11, 13 up to 31, 33, 34) for Cl. 265-115135				
2	Z120103	Kopfdeckel (mit Pos. 3)	Face plate (with pos. 3)	34	Z120158	Hebel	Lever				
3	216471	Gummischnur	Round cord ring	35	Z120153	Fadenwischer	Thread wiper				
4	Z120106	Hebel	Lever			<b>Z 120-19</b>					
5	Z120112	Ansatzschraube	Shoulder screw	36	Z120491	Pneumat. Fadenwischer kpl. (best. aus Pos. 4 bis 7, 10, 11, 13 bis 16, 37 bis 43)	Pneumatic thread wiper arm assembly cpl. (cons. of pos. 4 up to 7, 10, 11, 13 up to 16, 37 up to 43)				
6	024275	Scheibe	Washer								
7	7422203	Hutmutter	Dome nut	37	Z120203	Kopfdeckel (mit Pos. 38)	Face plate (with pos. 38)				
8	Z120117	kloben (mit Pos. 9)	Block (with pos. 9)	38	212297	Gummischnur	Round cord ring				
9	213370	Zyl.-Schraube	Cyl. head screw	39	Z120195	Kloben (mit Pos. 40)	Block (with pos. 40)				
10	Z120124	Wischerhebel	Wiper arm	40	213370	Zyl.-Schraube	Cyl. head screw				
11	902514	Scheibe	Washer	41	Z120198	Fadenwischer	Thread wiper				
12	Z120131	Fadenwischer	Thread wiper	42	Z120194	Fingerschutz	Finger guard				
13	Z120135	Stellring (mit Pos. 14)	Set collar (with pos. 14)	43	Z120207	Fadenöse	Thread eye				
14	531464	Gew.-Stift	Threaded stud								
15	Z120139	Drehfeder	Torsion spring								
16	911339	Schraube	Fillister head screw								
17	Z120507	Wischerzugstange	Wiper traction rod								
18	Z120508	Zugstange	Traction rod								
19	Z120349	Anschlagstift	Stop pin								
20	216120	Zyl.-Schraube	Cyl. head screw								
21	2132038	Buchse	Distance bush								
22	5691895	Scheibe	Washer								
23	202704	6kt.-Mutter	Hexagonal nut								
24	Z120356	Zylinder	Cylinder								
25	5311824	6kt.-Mutter	Hexagonal nut								
26	Z120358	Druckstück	Thrust piece								
27	7422244	Schl.-Verschr.	Hose coupling screw								
28	7449183	T-Stück	T-piece								
29	Z120362	Reduzierstück	Reducer								
30	Z11650	Doppelnippel	Double nipple								
31	7442208	Schelle	Fastening clip								
32	Z120133	Fingerschutz	Finger guard								

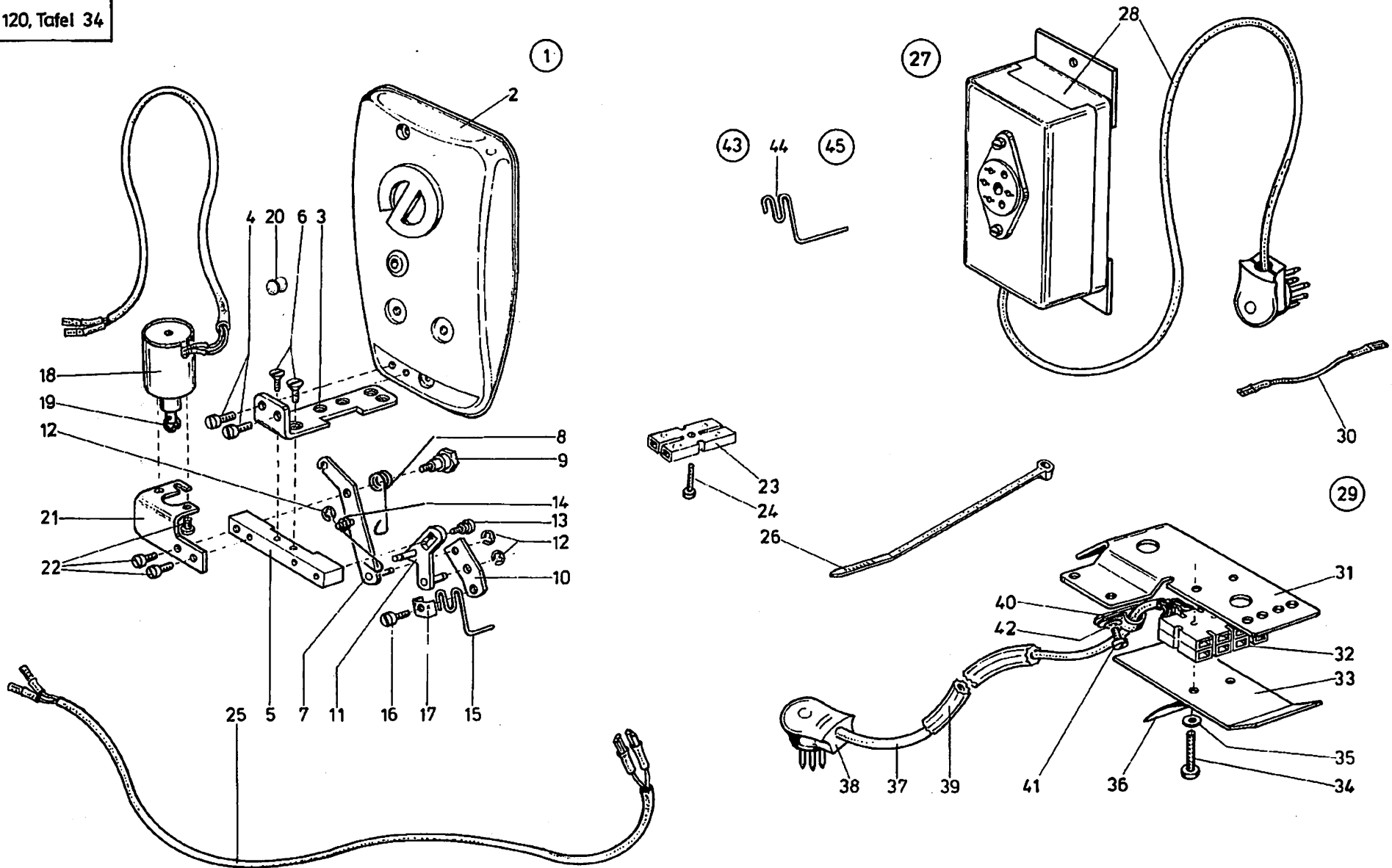


Pos. Det.	Teile Nr. Part No.	Benennung	Denomination	Pos. Det.	Teile Nr. Part No.	Benennung	Denomination	Pos. Det.	Teile Nr. Part No.	Benennung	Denomination
<b>Z 120-33; -39; -43; -49</b>											
<b>Z 120-33</b>											
1	Z120221	Fadenwischer kpl. (best. aus Pos. 2 bis 21)	Thread wiper arm assembly cpl. (cons. of pos. 2 up to 21)	28	Z120243	Fadenwischer	Thread wiper				
2	Z120203	Kopfdeckel (mit Pos. 3)	Face plate (with pos. 3)	29	Z120207	Fadenöse	Thread eye				
3	Z12297	Gummischnur	Round cord ring	<b>Z 120-43</b>							
4	Z120276	Hebel	Lever	30	Z120701	Pneumat. Fadenwischer kpl. (best. aus Pos. 31 bis 50)	Pneumatic thread wiper arm assembly cpl. (cons. of pos. 31 up to 50)				
5	Z120226	Zugstange	Traction rod	31	Z120702	Klemmstück (mit Pos. 32)	Clamping device (with pos. 32)				
6	Z120112	Ansatzschraube	Shoulder screw	32	21646	Zyl.-Schraube	Cyl. head screw				
7	024275	Scheibe	Washer	33	Z120706	Halteplatte	Holding plate				
8	7422203	Hutmutter	Dome nut	34	739265	Zyl.-Schraube	Cyl. head screw				
9	Z120166	Kloben (mit Pos. 10, 11, 12)	Block cpl. (with pos. 10, 11, 12)	35	Z120709	Zylinder	Cylinder				
10	21688	Gew.-Stift	Threaded stud	36	7221139	Schl.-Verschr.	Hose coupling screw				
11	Z13370	Zyl.-Schraube	Cyl. head screw	37	Z120712	Höhlenschraube	Banjo bolt				
12	Z120169	Bolzen	Bolt	38	74427746	Ringstück	Ring collar				
13	Z120171	Wischerhebel	Wiper arm	39	Z120715	Haltewinkel	Fastening square				
14	902514	Schalbe	Washer	40	93383982	Mutter	Nut				
15	Z120135	Stellring (mit Pos. 16)	Set collar (with pos. 16)	41	7441820	Ventil	Throttle reflux valve				
16	531464	Gew.-Stift	Threaded stud	42	74423566	Schl.-Verschr.	Hose coupling screw				
17	Z120139	Drehfeder	Torsion spring	43	Z120718	Fadenzieher	Thread puller				
18	911339	Schraube	Fillister head screw	44	70263	Zyl.-Schraube	Cyl. head screw				
19	Z120238	Fadenwischer	Thread wiper	45	65064	Scheibe	Washer				
20	Z120176	Fadenöse	Thread eye	46	Z120723	Klemmwinkel	Clamping square				
21	Z120178	Fingerschutz	Finger guard	47	5561686	Zyl.-Schraube	Cyl. head screw				
<b>Z 120-39</b>											
22	Z120241	Fadenwischer kpl. (best. aus Pos. 2, 3, 6, 7, 8, 14, 15, 16, 17, 18 und 23 bis 29)	Thread wiper arm assembly cpl. (cons. of pos. 2, 3, 6, 7, 8, 14, 15, 16, 17, 18 and 23 up to 29)	48	Z120726	Klemmblech	Clamping plate				
23	Z120106	Hebel	Lever	49	7991612	Kabelhalter	Cable holder				
24	Z120124	Wischerhebel	Wiper arm	50	App.528	Schraube	Screw				
25	Z120193	Zugstange	Traction rod	<b>Z 120-49</b>							
26	Z120195	Kloben (mit Pos. 27)	Block (with pos. 27)	51	Z120801	Pneumatischer Fadenwischer kpl. (best. aus Pos. 31, 32, 35 bis 45, 47, 49, 50, 52 bis 55)	Pneumatic thread wiper arm assembly cpl. (cons. of pos. 31, 32, 35 up to 45, 47, 49, 50, 52 up to 55)				
27	Z13370	Zyl.-Schraube	Cyl. head screw	52	Z120806	Halteplatte	Holding plate				
				53	223676	Zyl.-Schraube	Cyl. head screw				
				54	Z120823	Klemmwinkel	Clamping square				
				55	Z120826	Klemmblech	Clamping plate				

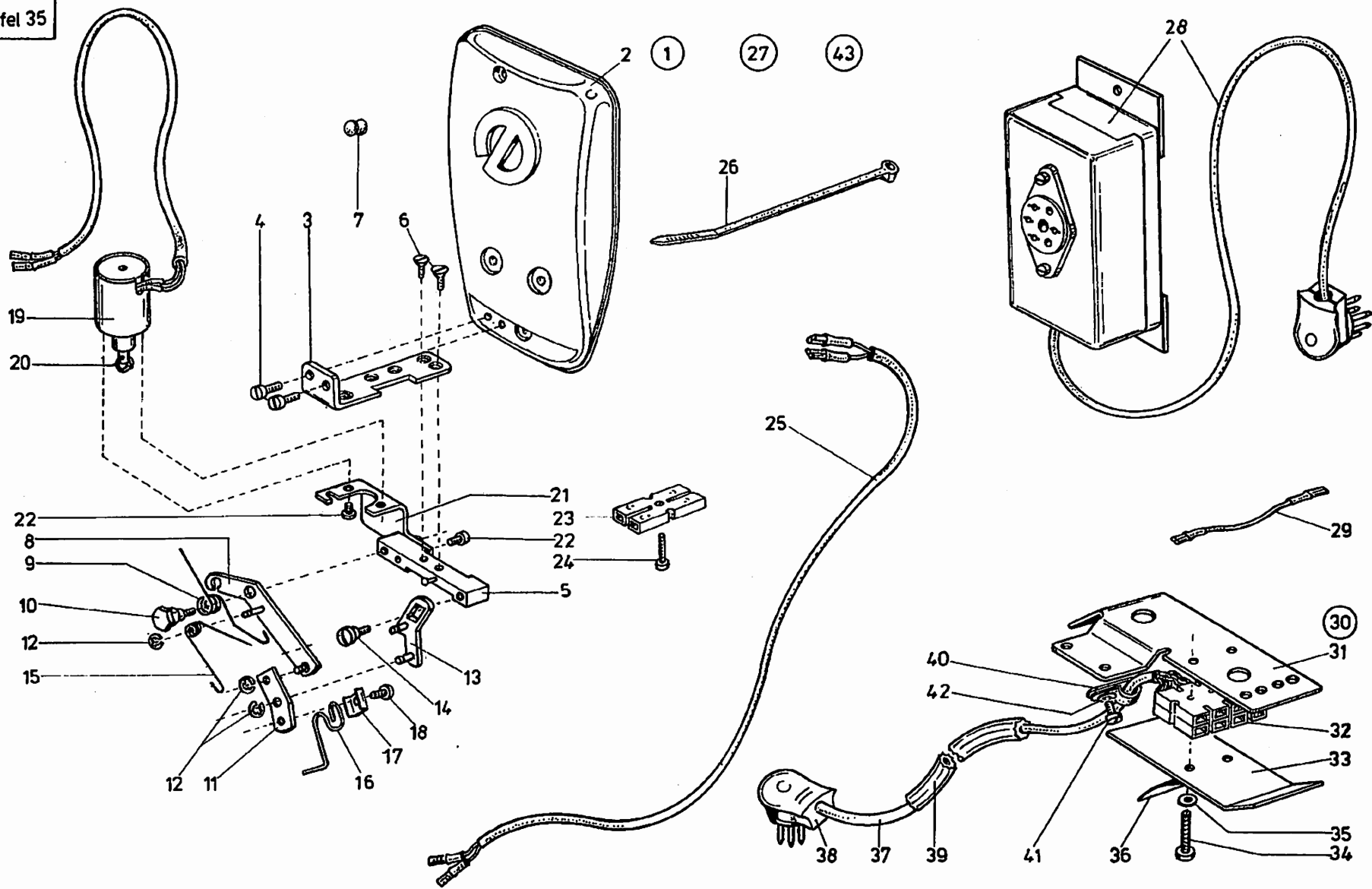


Pos. Det.	Teile Nr. Part No.	Benennung	Denomination	Pos. Det.	Teile Nr. Part No.	Benennung	Denomination	Pos. Det.	Teile Nr. Part No.	Benennung	Denomination
<b>Z120-211, -1211</b>											
<b>Z120-211</b>											
1	Z120901	Magnetischer Faden- wischer kpl. (best. aus Pos. 2 bis 26)	Magnetic thread wiper cpl. (cons. of pos. 2 up to 26)	31	24414172	Halteplatte	Bed plate				
2	Z120903	Kopfdeckel	Face plate	32	24414174	Leistungsverteil.	Cable distributor				
3	Z120904	Haltablech	Retaining plate	33	24414175	Deckplatte	Cover plate				
4	21698	Zyl.-Schraube	Cyl. head screw	34	658631	Zyl.-Schraube	Cyl. head screw				
5	Z120908a	Leiste kpl.	Reglet cpl.	35	1006233	Scheibe	Washer				
6	7395347	Senkschraube	Countersunk screw	36	24414177	Schild	Marking label				
7	Z120909	Hebel	Lever	37	24414183	Leitung kpl. (mit Pos. 38, 39)	Cable cpl. (with pos. 38, 39)				
8	Z120914	Drehfeder	Torsion spring	38	798352501	Stecker (mit Leitung)	Contact plug (with cable)				
9	Z120915	Ansetzschraube	Shoulder screw	39	24414666	Schutzschlauch	Insulating plastic tube				
10	Z120917	Gelenkhebel	Articulated lever	40	94210318	Schelle	Clip				
11	Z1201015	Lasche	Shackle	41	739255	Zyl.-Schraube	Cyl. head screw				
12	10019228	Sicher.-Scheibe	Safety washer	42	5691895	Scheibe	Washer				
13	556895	Ansatzschraube	Shoulder screw								
14	Z120925	Zugfeder	Tension spring								
15	Z120927	Wischerdraht	Wiper wire								
16	Z120929	Haltablech	Retaining plate								
17	216354	Zyl.-Schraube	Cyl. head screw								
18	20442	Fingerschutz	Finger guard								
19	Z120931	Hubmagnet	Lifting magnet								
20	Z120937	Bef.-Winkel	Angle bracket								
21	5661686	Zyl.-Schraube	Cyl. head screw								
22	Z120939	Ring	Ring								
23	7465428	Steckverbinder	Plug-in connector								
24	Z125118	Zyl.-Schraube	Cyl. head screw								
25	Z120944	Leitung	Cable								
26	Z151302	Kabelbinder	Cable band								
<b>Z120-1211</b>											
27	Z120951	Magnetischer Faden- wischer kpl. (best. aus Pos. 2 bis 26 und 28 bis 42)	Magnetic thread wiper cpl. (cons. of pos. 2 up to 26 and 28 up to 42)								
28	Z10010401	Steuerung	Control system								
29	24414687	Leitung	Cable								
30	Z120955	Halteplatte kpl. (best. aus Pos. 31 bis 42 und 29)	Bed plate cpl. (cons. of pos. 31 up to 42 and 29)								

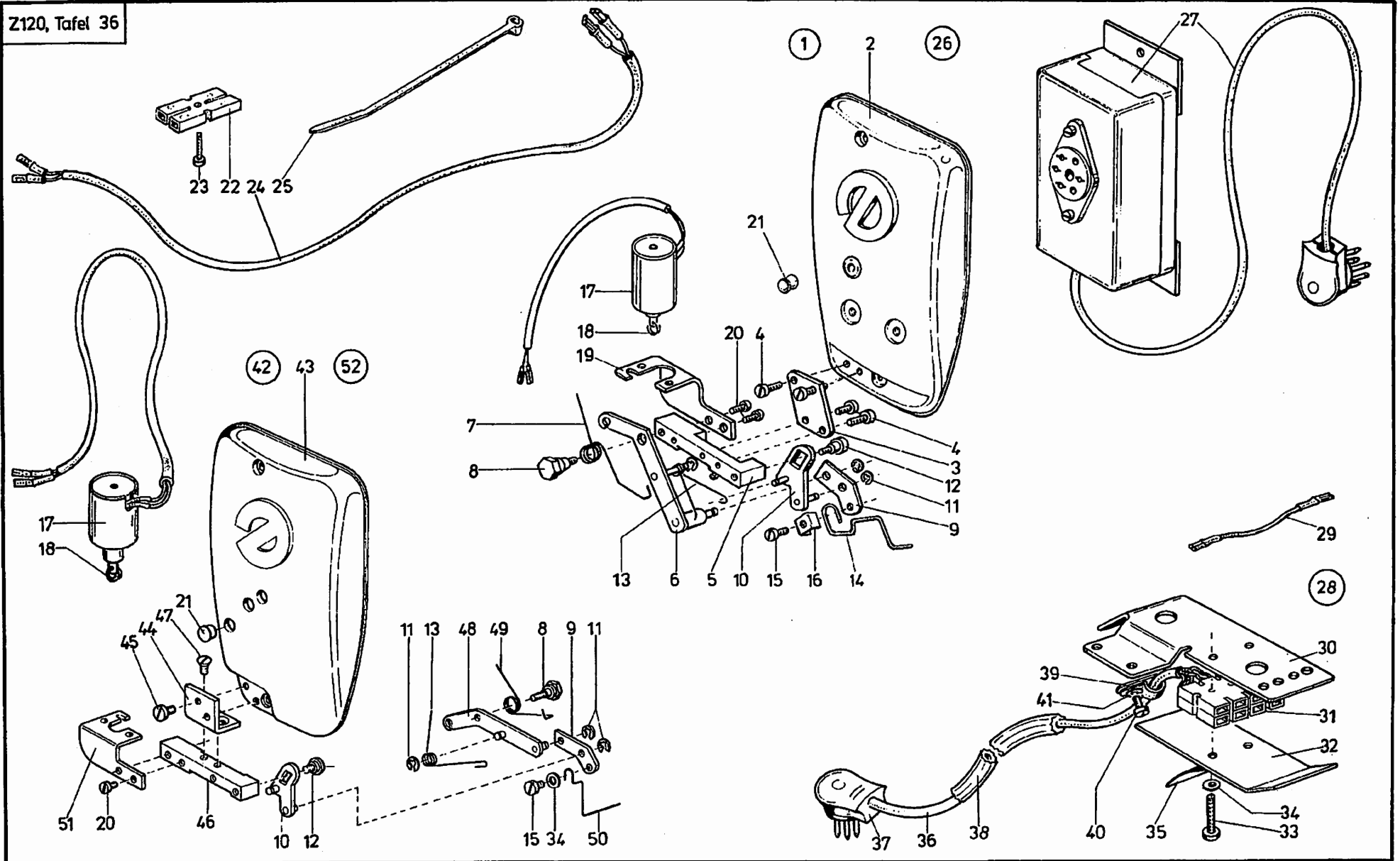




Pos. Det.	Teile Nr. Part No.	Benennung	Denomination	Pos. Det.	Teile Nr. Part No.	Benennung	Denomination	Pos. Det.	Teile Nr. Part No.	Benennung	Denomination
<b>Z 120-212, -1212, -244, -1244</b>											
<b>Z 120-212</b>											
1	Z 1201001	Magnet. Fadenwischer kpl. (best. aus Pos. 2 bis 26)	Magnetic thread wiper cpl. (cons. of pos. 2 up to 26)	31	24414172	Halteplatte	Bed plate				
2	Z 1201003	Kopfdeckel	Face plate	32	24414174	Leitungsverteil.	Cable distributor				
3	Z 1201004	Halteblech	Retaining plate	33	24414175	Deckplatte	Cover plate				
4	223676	Zyl.-Schraube	Cyl. head screw	34	558631	Zyl.-Schraube	Cyl. head screw				
6	Z 1201006a	Leiste kpl.	Reglet cpl.	35	1005233	Scheibe	Washer				
6	7395347	Senkschraube	Countersunk screw	36	24414177	Schild	Marking label				
7	Z 1201009	Hebel kpl.	Lever cpl.	37	24414183	Leitung kpl. (mit Pos. 38, 39)	Cable cpl. (with pos. 38, 39)				
8	Z 1201011	Drehfeder	Torsion spring	38	798352501	Stecker (mit Leitung)	Contact plug (with cable)				
9	Z 120915	Ansatzschraube	Shoulder screw	39	24414666	Schutzschlauch	Insulating plastic tube				
10	Z 120917	Gelenkhebel	Articulated lever	40	94210318	Schelle	Clip				
11	Z 1201015	Lasche	Shackle	41	739255	Zyl.-Schraube	Cyl. head screw				
12	10019228	Sicher.-Schelbe	Safety washer	42	5691895	Scheibe	Washer				
13	556895	Ansatzschraube	Shoulder screw	<b>Z 120-244</b>							
14	Z 120925	Drehfeder	Torsion spring	43	Z 1201101	Magnet. Fadenwischer kpl. (best. aus Pos. 2 bis 14, 16 bis 26 und 44)	Magnetic thread wiper cpl. (cons. of pos. 2 up to 14, 16 up to 26 and 44)				
16	Z 1201021	Wischerdraht	Wiper wire	44	Z 1201105	Wischerdraht	Wiper wire				
16	216354	Zyl.-Schraube	Cyl. head screw	<b>Z 120-1244</b>							
17	Z 120929	Haltablech	Plate	45	Z 1201141	Magnet. Fadenwischer kpl. (best. aus Pos. 2 bis 14, 16 bis 26, 28, 30 und 44)	Magnetic thread wiper cpl. (cons. of pos. 2 up to 14, 16 up to 26, 28, 30 and 44)				
18	Z 120931	Hubmagnet	Lifting magnet								
19	Z 120939	Ring	Ring								
20	21113	Stopfen	Plug								
21	Z 1201028	Bef.-Winkel	Angle bracket								
22	5561686	Zyl.-Schraube	Cyl. head screw								
23	7465428	Steckverbinder	Plug-type connector								
24	Z 125118	Zyl.-Schraube	Cyl. head screw								
25	Z 120944	Leitung	Cable								
26	Z 151302	Kabelbinder	Cable band								
<b>Z 120-1212</b>											
27	Z 1201071	Magnet. Fadenwischer kpl. (best. aus Pos. 2 bis 26 und 28 bis 42)	Magnetic thread wiper cpl. (cons. of pos. 2 up to 26 and 28 up to 42)								
28	Z 10010401	Steuerung	Control system								
29	Z 120955	Halteplatte kpl. (best. aus Pos. 30 bis 42)	Bed plate cpl. (cons. of pos. 30 up to 42)								
30	24414687	Leitung	Cable								



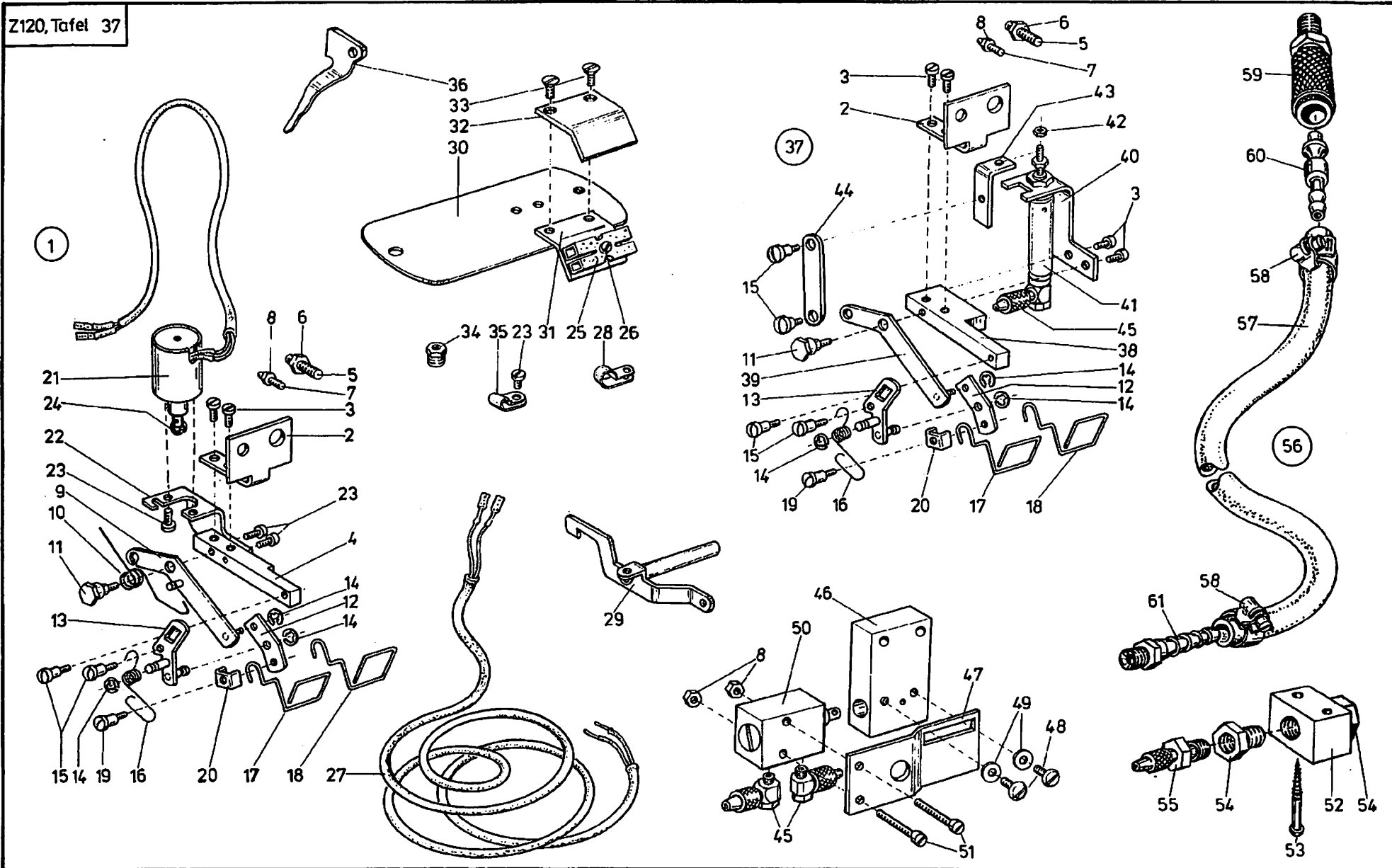
Pos. Det.	Teile Nr. Part No.	Benennung	Denomination	Pos. Det.	Teile Nr. Part No.	Benennung	Denomination	Pos. Det.	Teile Nr. Part No.	Benennung	Denomination
		<b>Z 120-212R, -1212R</b>									
		<b>Z 120-212R</b>									
1	Z 1201181	Magnet. Fadenwischer kpl. (best. aus Pos. 2 bis 26)	Magnetic thread wiper cpl. (cons. of pos. 2 up to 26)	32	24414174	Leistungsverteil.	Cable distributor				
2	Z 1201003	Kopfdeckel	Face plate	33	24414175	Deckplatte	Cover plate				
3	Z 1201004	Halblech	Retaining plate	34	558631	Zyl.-Schraube	Cyl. head screw				
4	223676	Zyl.-Schraube	Cyl. head screw	35	1005233	Scheibe	Washer				
5	Z 120906a	Leiste	Reglet	36	24414177	Schild	Marking label				
6	7395347	Senkschraube	Countersunk screw	37	24414183	Leitung (mit Pos. 38, 39)	Cable (with pos. 38, 39)				
7	21113	Stopfen	Plug	38	798352501	Stecker (mit Leitung)	Contact plug (with cable)				
8	Z 1201189	Hebel	Lever	39	24414666	Schutzschlauch	Insulating plastic tube				
9	Z 120914	Drehfeder	Torsion spring	40	94210318	Schelle	Clip				
10	Z 120915	Ansatzschraube	Shoulder screw	41	739255	Zyl.-Schraube	Cyl. head screw				
11	Z 120917	Gelenkhebel	Articulated lever	42	5691895	Schelbe	Washer				
12	10019228	Sicher.-Schelbe	Safety washer			<b>Z 120-1212R</b>					
13	Z 1201198	Lasche	Shackle	43	Z 1201242	Magnet. Fadenwischer kpl. (best. aus Pos. 2 bis 26, 28 und 29)	Magnetic thread wiper cpl. (cons. of pos. 2 up to 26, 28 and 29)				
14	556895	Ansatzschraube	Shoulder screw								
15	Z 120925	Zugfeder	Tension spring								
16	Z 1201207	Wischerdraht	Wiper wire								
17	Z 120929	Halblech	Plate								
18	216354	Zyl.-Schraube	Cyl. head screw								
19	Z 120931	Hubmagnet kpl.	Lifting magnet cpl.								
20	Z 120939	Ring	Ring								
21	Z 120937	Bef.-Winkel	Angle bracket								
22	5561888	Zyl.-Schraube	Cyl. head screw								
23	7465428	Steckverbinder	Plug-type connector								
24	Z 125118	Zyl.-Schraube	Cyl. head screw								
25	Z 120944	Leitung	Cable								
26	Z 151302	Kabelbinder	Cable band								
		<b>Z 120-1212R</b>									
27	Z 1201241	Magnet. Fadenwischer kpl. (best. aus Pos. 2 bis 42)	Magnetic thread wiper cpl. (cons. of pos. 2 up to 42)								
28	Z 10010401	Steuerung	Control system								
29	24414667	Leitung	Cable								
30	Z 120955	Halteplatte kpl. (best. aus Pos. 29 bis 42)	Bed plate cpl. (cons. of pos. 29 up to 42)								
31	24414172	Halteplatte	Bed plate								



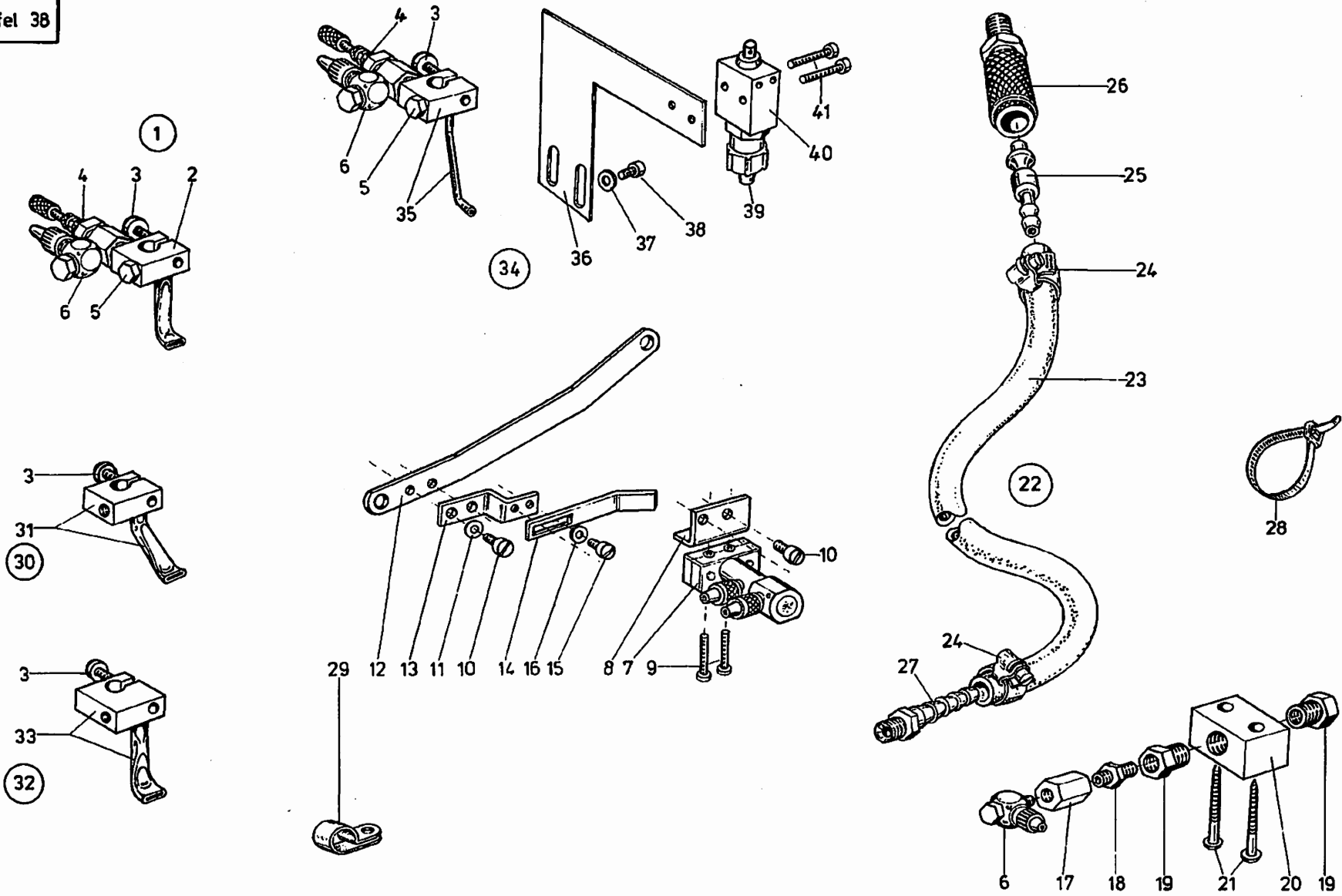


Pos. Det.	Teile Nr. Part No.	Benennung	Denomination	Pos. Det.	Teile Nr. Part No.	Benennung	Denomination	Pos. Det.	Teile Nr. Part No.	Benennung	Denomination
		<b>Z 120-219, -1219, -265, -1265</b>									
		<b>Z 120-219</b>									
1	Z1201301	Magnet. Fadenwischer kpl. (best. aus Pos. 2 bis 25)	Magnetic thread wiper cpl. (cons. of pos. 2 up to 25)	31	24414174	Leitungsverteil.	Cable distributor				
2	Z1201003	Kopfdeckel	Face plate	32	24414175	Deckplatte	Cover plate				
3	Z1201304	Halteblech	Retaining plate	33	558631	Zyl.-Schraube	Cyl. head screw				
4	21698	Zyl.-Schraube	Cyl. head screw	34	1005233	Scheibe	Washer				
5	Z1201306a	Leiste	Reglet	36	24414177	Schild	Marking label				
6	Z1201309	Hebel	Lever	36	24414183	Leitung kpl. (mit Pos. 38, 39)	Cable cpl. (with pos. 38, 39)				
7	Z120914	Drehfeder	Torsion spring	37	798352501	Stecker (mit Leitung)	Contact plug (with cable)				
8	Z120915	Ansatzschraube	Shoulder screw	38	24414666	Schutzschlauch	Insulating plastic tube				
9	Z120917	Gelenkhebel	Articulated lever	39	94210318	Schelle	Clip				
10	Z1201015	Lasche	Shackle	40	739255	Zyl.-Schraube	Cyl. head screw				
11	10019228	Sicher.-Scheibe	Safety washer	41	5691895	Scheibe	Washer				
12	556895	Ansatzschraube	Shoulder screw			<b>Z 120-265</b>					
13	Z120925	Drehfeder	Torsion spring	42	Z1201401	Magnet. Fadenwischer kpl. (best. aus Pos. 7 bis 13, 15, 17, 18, 20, 25, 34, 43 bis 51)	Magnetic thread wiper cpl. (cons. of pos. 7 up to 13, 15, 17, 18, 20 up to 25, 34, 43 up to 51)				
14	Z1201323	Wischerdraht	Wiper wire	43	Z1201403	Kopfdeckel	Face cover				
15	216354	Zyl.-Schraube	Cyl. head screw	44	Z1201404	Halteblech	Retaining plate				
16	Z120929	Halteblech	Plate	45	223676	Zyl.-Schraube	Cyl. head screw				
17	Z120931	Hubmagnet	Lifting magnet	46	Z1201406a	Leiste	Reglet				
18	Z120939	Ring	Ring	47	7395347	Senkschraube	Countersunk screw				
19	Z120937	Bef.-Winkel	Angle bracket	48	Z120909	Hebel	Lever				
20	5561686	Zyl.-Schraube	Cyl. head screw	49	Z1201011	Drehfeder	Torsion spring				
21	21113	Stopfen	Plug	50	Z1201421	Wischerdraht	Wiper wire				
22	7485428	Steckverbinder	Plug-type connector	51	Z1201028	Bef.-Winkel	Angle bracket				
23	Z125118	Zyl.-Schraube	Cyl. head screw			<b>Z 120-1265</b>					
24	Z120944	Leitung	Cable	52	Z1201471	Magnet. Fadenwischer kpl. (best. aus Pos. 7 bis 13, 15, 17, 18, 20 bis 25, 27 bis 41 und 43 bis 51)	Magnetic thread wiper cpl. (cons. of pos. 7 up to 13, 15, 17, 18, 20 up to 25, 27 up to 41 and 43 up to 51)				
25	Z151302	Kabelbinder	Cable band								
		<b>Z 120-1219</b>									
26	Z1201371	Magnet. Fadenwischer kpl. (best. aus Pos. 2 bis 25 und 27 bis 41)	Magnetic thread wiper cpl. (cons. of pos. 2 up to 25 and 27 up to 41)								
27	Z10010401	Steuerung kpl.	Control system								
28	Z120955	Halteplatte kpl. (best. aus Pos. 29 bis 41)	Bed plate cpl. (cons. of pos. 29 up to 41)								
29	24414667	Leitung	Cable								
30	24414172	Halteplatte	Bed plate								

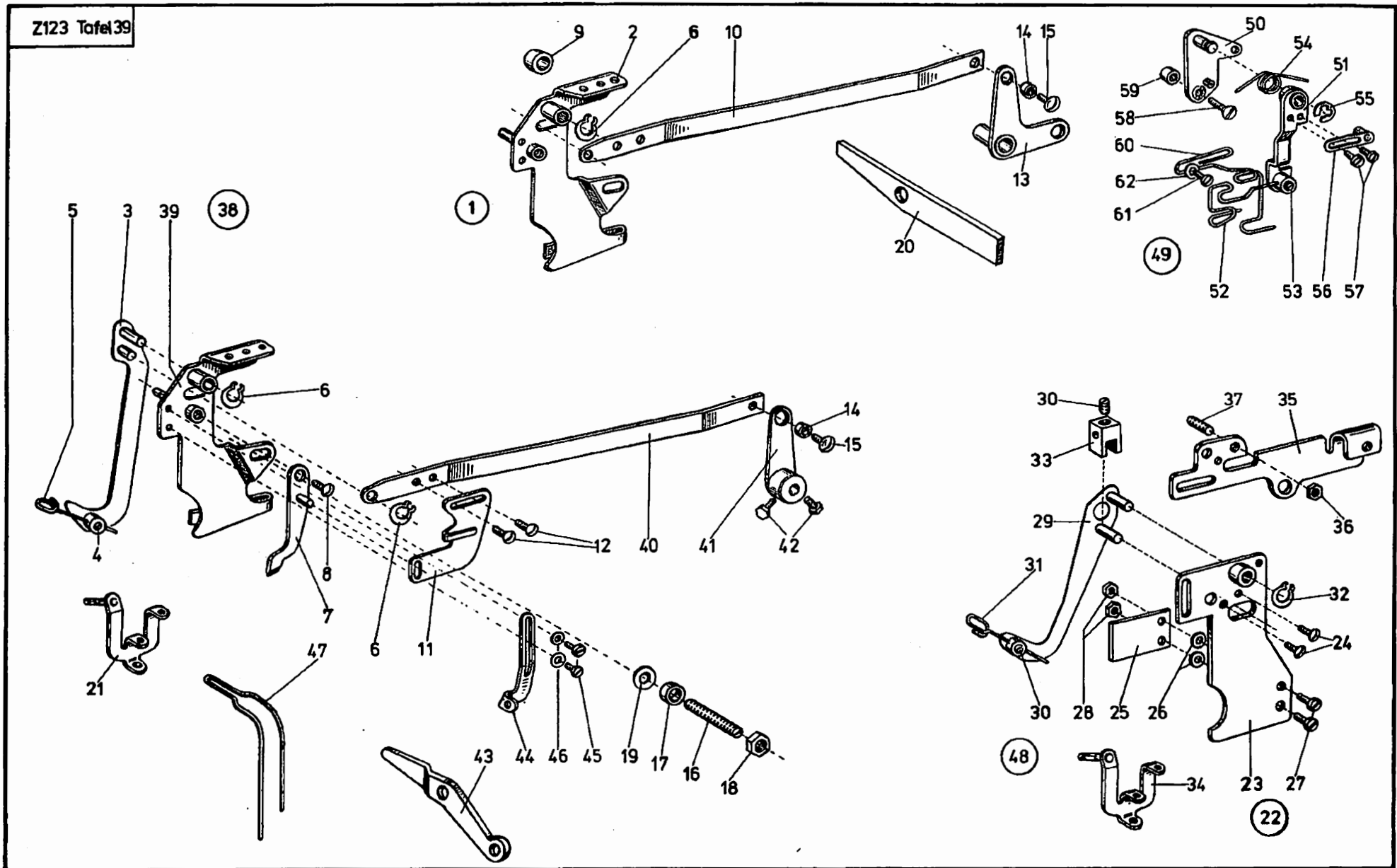




Pos. Det.	Teile Nr. Part No.	Benennung	Denomination	Pos. Det.	Teile Nr. Part No.	Benennung	Denomination	Pos. Det.	Teile Nr. Part No.	Benennung	Denomination
<b>Z 120-380, -1380</b>				<b>Z 120-1380</b>							
<b>Z 120-380</b>											
1	Z1201501	Magnet. Fadenwischer kpl. (best. aus Pos. 2 bis 36)	Magnetic thread wiper cpl. (cons. of pos. 2 up to 36)	37	Z1201601	Pneumat. Fadenwischer kpl. (best. aus Pos. 2, 3, 5 bis 8, 11 bis 20, 23, 29, 34, 35, 36, 38 bis 61)	Pneumatic thread wiper cpl. (cons. of pos. 2, 3, 5 up to 8, 11 up to 20, 23, 29, 34, 35, 36, 38 up to 61)				
2	Z1201504	Winkel	Angle	38	Z1201606	Leiste	Reglet				
3	Z1201504	Zyl.-Schraube	Cyl. head screw	39	Z1201612	Hebel	Lever				
4	Z1201506	Leiste	Reglet	40	Z1201631	Winkel	Angle				
5	5571971	Gew.-Stift	Threaded stud	41	Z120356	Zylinder	Cylinder				
6	249230	6kt.-Mutter	Hexagonal nut	42	5511824	6kt.-Mutter	Hexagonal nut				
7	202708	Gew.-Stift	Threaded stud	43	Z1201636	Winkel	Angle				
8	Z1201504	6kt.-Mutter	Hexagonal nut	44	Z1201637	Lasche	Shackle				
9	Z120909	Hebel	Lever	45	746768	Schl.-L-Versch.	Hose L-coupling screw				
10	Z120914	Drehfeder	Torsion spring	46	Z1201647	Führungsbock	Guide stand				
11	Z120915	Ansatzschraube	Shoulder screw	47	Z1201648	Platte	Plate				
12	Z120917	Gelenkhebel	Articulated lever	48	216229	Zyl.-Schraube	Cyl. head screw				
13	Z1201518	Lasche	Shackle	49	024275	Scheibe	Washer				
14	10019228	Sicher.-Scheibe	Safety washer	50	79715	2/3-Wege-Ventil	2/3 Directional control valve				
15	556895	Ansatzschraube	Shoulder screw	51	216378	Zyl.-Schraube	Cyl. head screw				
16	Z1201524	Drehfeder	Torsion spring	52	Z11655	Aufnahmestück	Retainer				
17	Z1201526	Wischerdraht	Wiper wire	53	560771	Holzschraube	Wood screw				
18	Z1201527	Wischerdraht	Wiper wire	54	Z11661	Reduzierstück	Reducer				
19	5567375	Ansatzschraube	Shoulder screw	55	7422238	Schl.-Verschr.	Hose coupling screw				
20	Z120929	Halblech	Plate	56	72171	Anschlußschlauch kpl. (best. aus Pos. 57 bis 61)	Coupling hose cpl. (cons. of pos. 57 up to 61)				
21	Z120931	Hubmagnet kpl.	Lifting magnet cpl.	57	Z11577	Anschl.-Schlauch	Coupling hose				
22	Z120937	Bef.-Winkel	Angle bracket	58	7422096	Schlauchklammer	Hose clip				
23	5561686	Zyl.-Schraube	Cyl. head screw	59	7441793a	Schl.-Kupplung	Hose coupling				
24	Z120939	Ring	Ring	60	7449513	Schlauchdüse	Hose nozzle				
25	7465428	Steckverbinder	Plug type connector	61	Z11538	Schlauchdüse	Hose nozzle				
26	9133206	Zyl.-Schraube	Cyl. head screw								
27	Z116793	Leitung	Cable								
28	7442208	Schelle	Clip								
29	Z1201551	Hebel	Lever								
30	Z1201552	Armdeckel	Arm cover								
31	Z1201553	Winkel (kurz)	Short angle								
32	Z1201554	Winkel (lang)	Long angle								
33	420324	Senkschraube	Countersunk screw								
34	Z1201556	Schraube	Screw								
35	94210318	Schelle	Clip								
36	Z1201559	Lüfterhebel	Lifter lever								

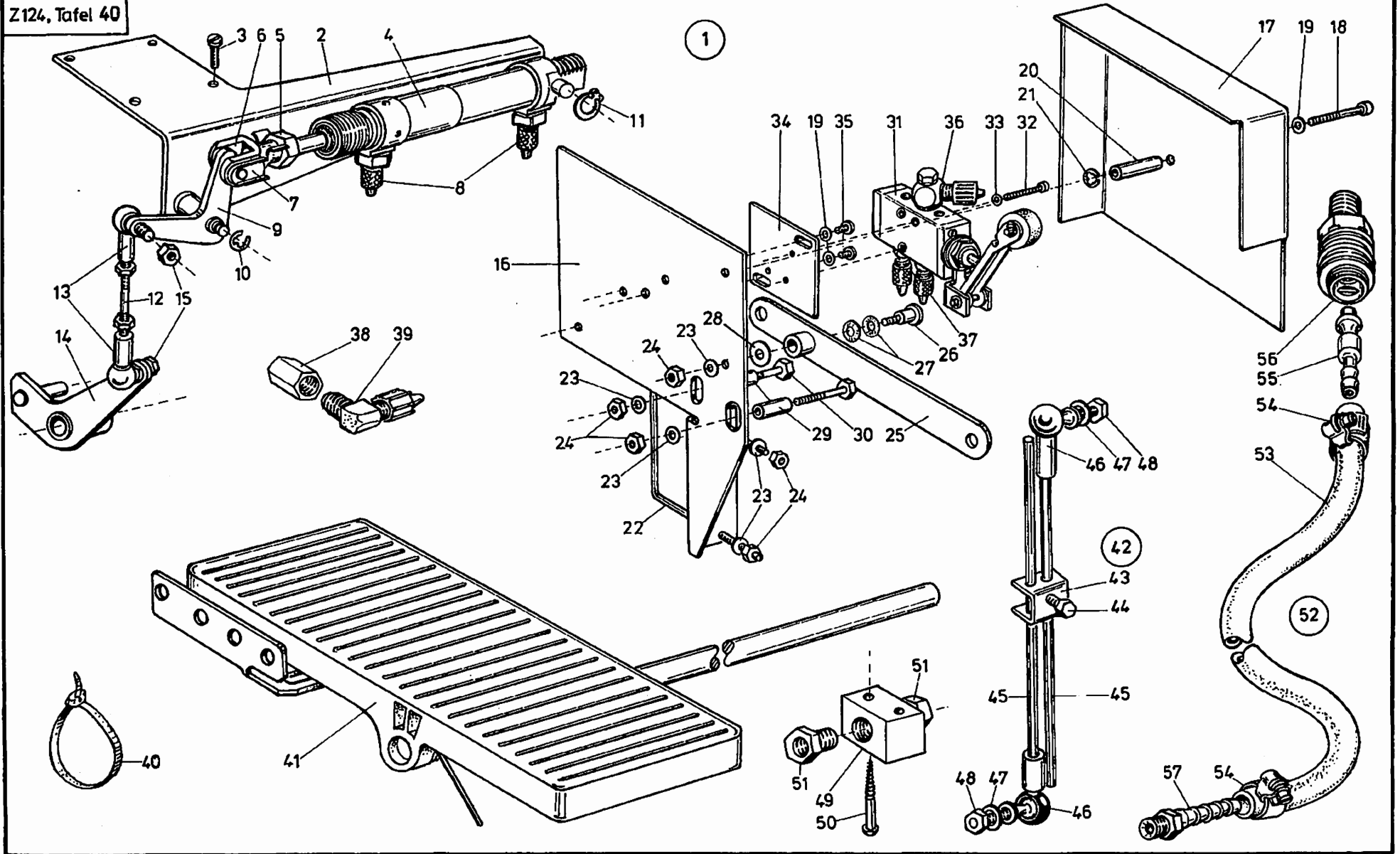


Pos. Det.	Teile Nr. Part No.	Benennung	Denomination	Pos. Det.	Teile Nr. Part No.	Benennung	Denomination	Pos. Det.	Teile Nr. Part No.	Benennung	Denomination
		<b>Z 120-5211, -5212, -5244, -5380</b>				<b>Z 120-5212</b>					
		<b>Z 120-5211</b>				<b>Z 120-5244</b>					
1	Z 1202101	Oberfadenblas-einrichtung kpl. (best. aus Pos. 2 bis 29)	Upper thread blowing device cpl. (cons. of pos. 2 up to 29)	30	Z 1202201	Oberfadenblas-einrichtung kpl. (best. aus Pos. 4 bis 29 und 31)	Upper thread blowing device cpl. (cons. of pos. 4 up to 29 and 31)				
2	Z 1202131	Blasrohr kpl. (mit Pos. 3)	Blow pipe cpl. (with pos. 3)	31	Z 1202203	Blasrohr kpl. (mit Pos. 3)	Blow pipe cpl. (with pos. 3)				
3	21628	Zyl.-Schraube	Cyl. head screw								
4	Z 11647	Drosselventil	Throttle valve	32	Z 1202251	Oberfadenblas-einrichtung kpl. (best. aus Pos. 4 bis 29 und 33)	Upper thread blowing device cpl. (cons. of pos. 4 up to 29 and 33)				
5	5701847	Blindstopfen	Blind plug								
6	718155	L-Verschraubung	L-coupling screw	33	Z 1202253	Blasrohr kpl. (mit Pos. 3)	Blow pipe cpl. (with pos. 3)				
7	79718	3/2-Wege-Ventil	3/2-Directional control valve								
8	Z 1202105	Haltewinkel	Supporting angle								
9	10019137	Zyl.-Schraube	Cyl. head screw								
10	270631	Zyl.-Schraube	Cyl. head screw								
11	74450243	Scheibe	Washer								
12	Z 1202110	Druckstange	Pressure bar	34	Z 1202301	Oberfadenblas-einrichtung kpl. (best. aus Pos. 4 bis 6, 17 bis 27, 35 bis 41)	Upper thread blowing device cpl. (cons. of pos. 4 up to 6, 17 up to 27, 35 up to 41)				
13	Z 1202111	Winkel	Angle								
14	Z 1202112	Leiste	Reglet								
15	21698	Zyl.-Schraube	Cyl. head screw	35	Z 1202302	Blasrohr kpl. (mit Pos. 3)	Blow pipe cpl. (with pos. 3)				
16	5891895	Scheibe	Washer								
17	93311777	Muffe	Bushing	36	Z 1202314	Winkel	Square				
18	7441819	Doppelnippel	Double nipple	37	024276	Scheibe	Washer				
19	Z 11661	Reduzierstück	Reducer	38	216775	Zyl.-Schraube	Cyl. head screw				
20	Z 11655	Aufnahmestück	Retainer	39	7221139	Schl.-Verschr.	Hose coupling screw				
21	560771	Holzschraube	Wood screw	40	7221138	3/2-Wege-Ventil	3/2 Directional control valve				
22	72171	Anschlußschlauch kpl. (best. aus Pos. 23 bis 27)	Coupling hose cpl. (cons. of pos. 23 up to 27)	41	211496	Zyl.-Schraube	Cyl. head screw				
23	Z 11577	Anschl.-Schlauch	Coupling hose								
24	7422096	Schlauchklemme	Hose clip								
25	7449513	Schlauchtülle	Hose nozzle								
26	7441793a	Schl.-Kupplung	Hose coupling screw								
27	Z 11538	Schlauchtülle	Hose nozzle								
28	Z 151302	Kabelbinder	Cable band								
29	Z 113290	Schelle	Clip								

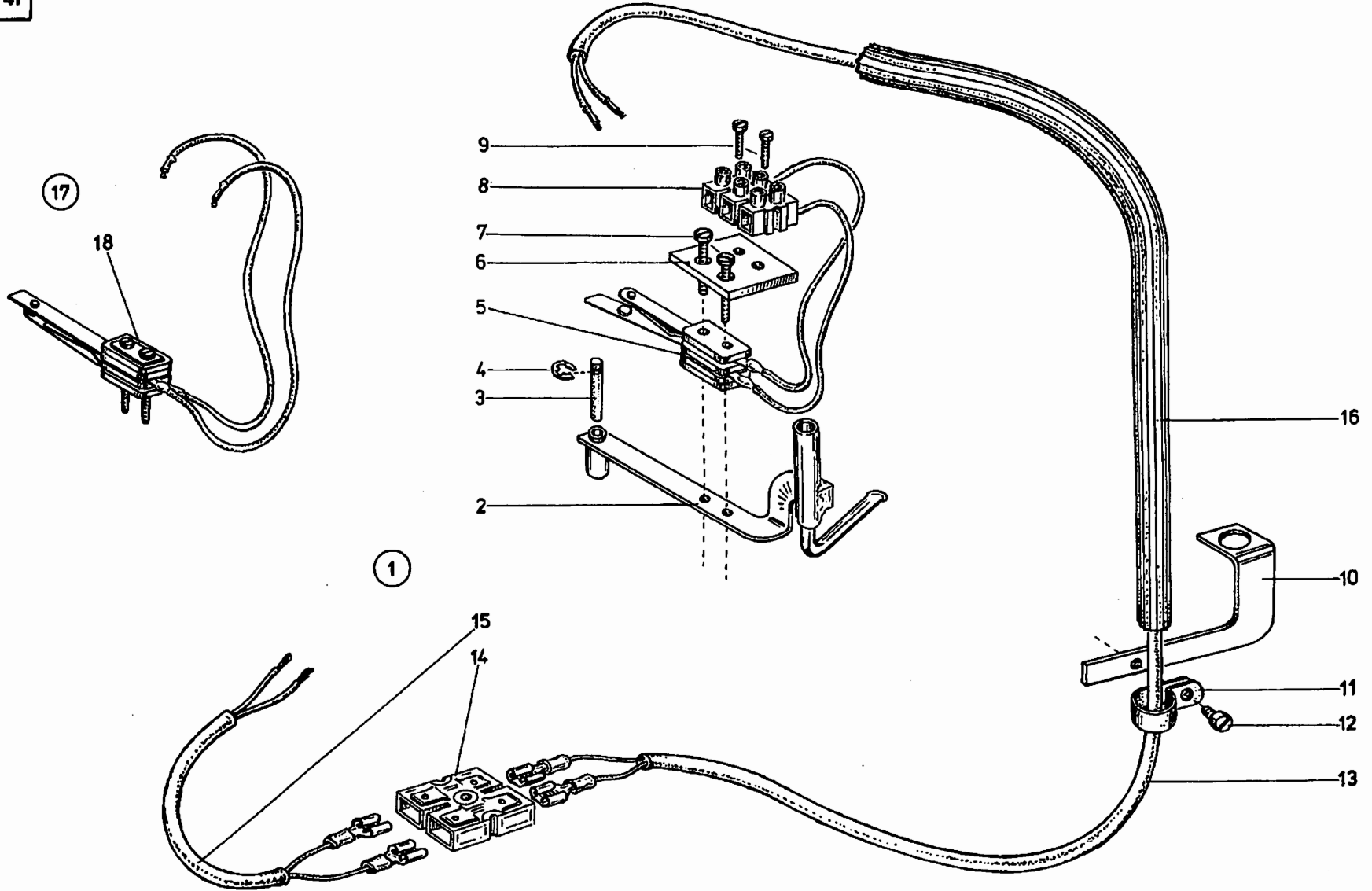


Pos. Det.	Teile Nr. Part No.	Benennung	Denomination	Pos. Det.	Teile Nr. Part No.	Benennung	Denomination	Pos. Det.	Teile Nr. Part No.	Benennung	Denomination
		<b>Z123-1;-2;-5;-6;-245</b>									
		<b>Z 123-1</b>									
1	Z123201	Fadenzieher kpl. (best. aus Pos. 2 bis 21)	Thread puller cpl. (cons. of pos. 2 up to 21)	33	2679521	Mitnehmarmkloben (mit Pos. 30)	Carrier block (with pos. 30)	57	93320031	Zyl.-Schraube	Cyl. head screw
2	Z123202	Grundplatte	Base plate	34	Z123146	Fadenführung an Arm	Thread guide on arm	58	3808893	Senkschraube	Countersunk screw
3	Z123106	Ziehhebel (mit Pos. 4)	Pulling lever (with pos. 4)	35	26512024	Aufnahmeplatte	Receiver plate	59	3808894	Distanzring	Distance ring
4	531464	Gew.-Stift	Threaded stud	36	211198	6kt.-Mutter	Hexagonal nut	60	3808896	Fadenführung an Arm	Thread guide on arm
5	Z123113	Fadenöse	Thread eye	37	202708	Gewindestift	Threaded stud	61	223700	Zyl.-Schraube	Cyl. head screw
6	2658555	Greifring	Grip ring					62	531460	Scheibe	Washer
7	Z123116	Auslöshebel	Releasing lever			<b>Z 123-5</b>					
8	911339	Zyl.-Schraube	Cyl. head screw	38	Z123101k	Fadenzieher kpl. (best. aus Pos. 3 bis 8, 11, 12, 14 bis 19, 21, 39 bis 43)	Thread puller cpl. (cons. of pos. 3 up to 8, 11, 12, 14 up to 19, 21, 39 up to 43)				
9	Z123205	Distanzbuchse	Distance bush	39	Z123101	Grundplatte	Base plate				
10	Z123206	Verbind.-Stange	Connecting rod	40	Z123121	Verbind.-Stange	Connecting rod				
11	Z123122	Lasche	Shackle	41	Z123125	Hebel (mit Pos. 42)	Lever (with pos. 42)				
12	911339	Zyl.-Schraube	Cyl. head screw	42	914330	6kt.-Schraube	Hexagonal screw				
13	Z123207	Hebel	Lever	43	Z123150	Schalthebel	Control lever				
14	Z123208	Abstandsbuchse	Distance bush			<b>Auf Wunsch lieferbar</b>	<b>Deliverable on request</b>				
15	10019127	Schraube	Screw	44	2654018	Fadenführung	Thread guide				
16	902236	Gew.-Stift	Threaded stud	45	27079	Zyl.-Schraube	Cyl. head screw				
17	Z123137	Distanzhülse	Distance bush	46	913629	Scheibe	Washer				
18	2522389	6kt.-Mutter	Hexagonal nut	47	2654008	Fingerschutz	Finger guard				
19	5511246	Scheibe	Washer			<b>Z 123-6</b>					
20	Z123210	Schalthebel	Control lever	48	2679501	Fadenzieher kpl. (best. aus Pos. 23 bis 34)	Thread puller cpl. (cons. of pos. 23 up to 34)				
21	Z123146	Fadenführung (an Arm)	Thread guide (on arm)			<b>Z 123-245</b>					
		<b>Z 123-2</b>									
22	Z123251	Fadenzieher kpl. (best. aus Pos. 23 bis 37)	Thread puller cpl. (cons. of pos. 23 up to 37)	49	3808871	Fadenzieher kpl. (best. aus Pos. 50 bis 62)	Thread puller cpl. (cons. of pos. 50 up to 62)				
23	2679502	Grundplatte	Base plate	50	3808873	Grundplatte	Base plate				
24	911339	Zyl.-Schraube	Cyl. head screw	51	3808878	Hebel	Lever				
25	2679507	Platte	Plate	52	3808883	Fadenzieher	Thread puller				
26	570975	Scheibe	Washer	53	531464	Gew.-Stift	Threaded stud				
27	237624	Zyl.-Schraube	Cyl. head screw	54	3808885	Drehfeder	Torsion spring				
28	5511824	6kt.-Mutter	Hexagonal nut	55	670138	Sicherungsring	Safety collar				
29	2679512	Ziehhebel	Pulling lever	56	3808887	Lasche	Shackle				
30	531464	Gewindestift	Threaded stud								
31	Z123113	Fadenöse	Thread eye								
32	2658555	Greifring	Grip ring								

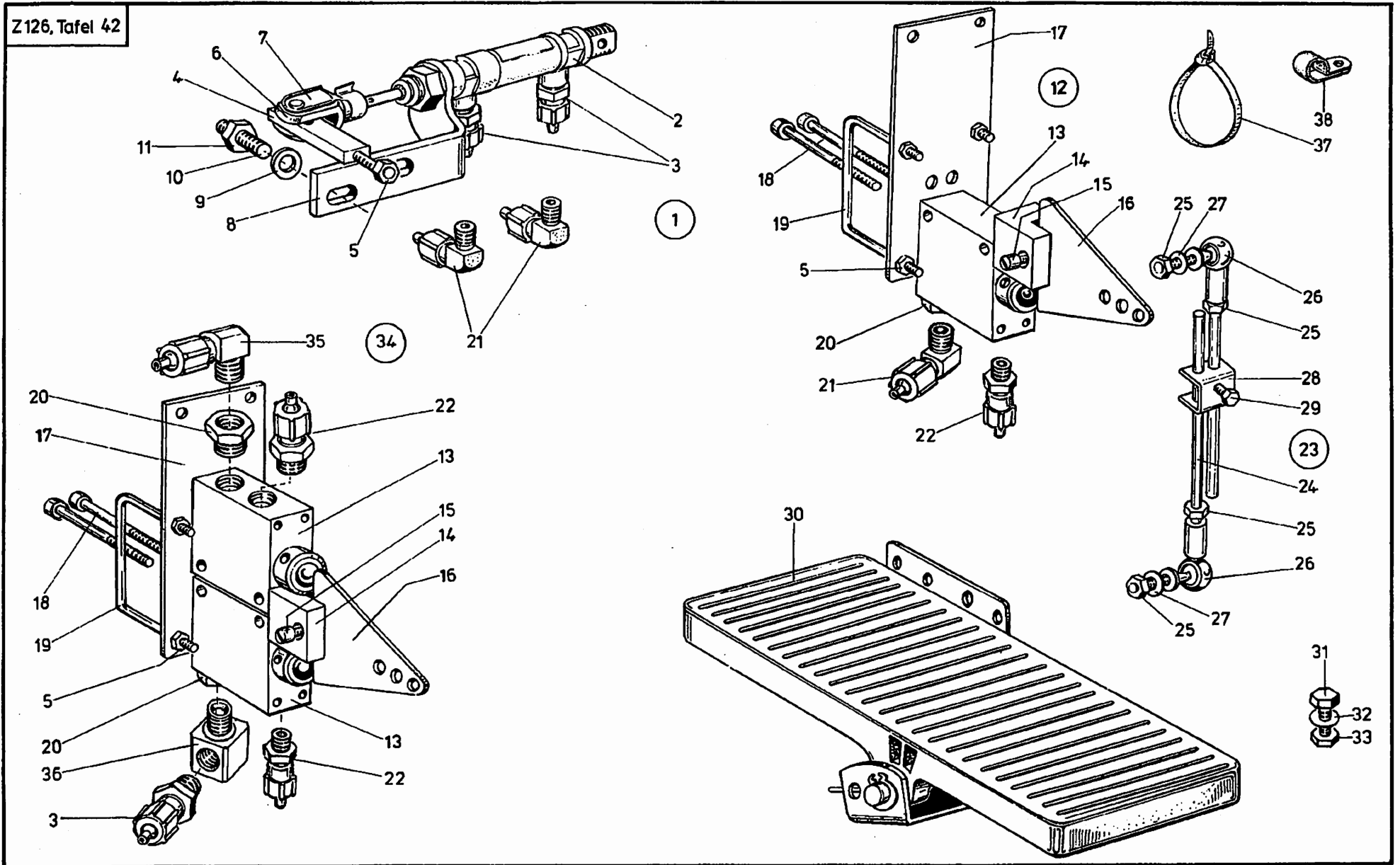




Pos. Det.	Teile Nr. Part No.	Benennung	Denomination	Pos. Det.	Teile Nr. Part No.	Benennung	Denomination	Pos. Det.	Teile Nr. Part No.	Benennung	Denomination
<b>Z124-212</b>											
1	Z124-101	Pneumatische Fußbetätigung zum Ein- und Ausschalten von Senkrechtschneider kpl. (best. aus Pos. 2 bis 57)	Pneumatic Foot Actuation for Engaging and Disengaging of Vertical cutter cpl. (cons. of pos. 2 up to 57)	38	7442528	Muffe	Bushing				
2	Z124103	Winkel	Square	39	74423556	L-Versch.	L-coupling screw				
3	21646	Zyl.-Schraube	Cyl. head screw	40	Z151302	Kabelbinder	Cable band				
4	7971616	Zylinder	Cylinder	41	Z100932	Fußtritt	Pedal				
5	72042a	6kt.-Mutter	Hexagonal nut	42	MG43/461	Gestänge kpl. (best. aus Pos. 43 bis 48)	Rods cpl. (cons. of pos. 43 up to 48)				
6	Z124111	Gabelkopf	Fork head	43	MG43/403	Klemme	Clamp				
7	74422393	E S Bolzen	E S bolt	44	MG43/404	6kt.-Schraube	Hexagonal screw				
8	7422238	Schl.-Verschr.	Hose coupling screw	45	Z1110801	Stange	Rod				
9	Z124116	Winkel	Angle	46	5562267	Kugalgelenk	Bell-and-socket joint				
10	Z11100a	Sicher.-Ring	Circlep	47	MG43/2510	Scheibe	Washer				
11	Z11245	Graifring	Grip ring	48	MG43/409	6kt.-Mutter	Hexagonal nut				
12	Z124124	Gewindestange	Threaded rod	49	Z11655	Aufnahmestück	Receiver				
13	380286	Winkelgelenk	Angle joint	50	560771	Holzschraube	Wood screw				
14	Z124127	Schalthebel	Control lever	51	Z11661	Reduzierstück	Reducer				
15	MG8/7d	6kt.-Mutter	Hexagonal nut	52	72171	Anschlußschlauch kpl. (best. aus Pos. 53 bis 57)	Coupling hose cpl. (cons. of pos. 53 up to 57)				
16	Z100851	Bef.-Platte	Mounting plate	53	Z11577	Anschl.-Schlauch	Coupling hose				
17	Z100852	Deckel	Cover	54	7422096	Schlauchklemme	Hose clip				
18	Z124127	Zyl.-Schraube	Cyl. head screw	55	7449513	Schlauchtülle	Hose nozzle				
19	5691895	Scheibe	Washer	56	7441793a	Schl.-Kupplung	Hose coupling				
20	Z100855	Hülse	Sleeve	57	Z11538	Schlauchtülle	Hose nozzle				
21	255129	Sicher.-Scheibe	Safety washer								
22	NB0/1720	Haltebügel	Bow								
23	74450243	Scheibe	Washer								
24	74450244	6kt.-Mutter	Hexagonal nut								
25	Z100865	Hebel	Lever								
26	933586	Ansatzschraube	Shoulder screw								
27	933587	Tellerfeder	Cup spring								
28	5702136	Scheibe	Washer								
29	Z1511047	Abstandshülse	Distance sleeve								
30	93910071	6kt.-Schraube	Hexagonal screw								
31	79717	5/2-Wege-Ventil	5/2 Directional control valve								
32	5693278	Zyl.-Schraube	Cyl. head screw								
33	1005233	Scheibe	Washer								
34	Z100885	Bef.-Blech	Fastening plate								
35	216601	Zyl.-Schraube	Cyl. head screw								
36	718155	L-Versch.	L-coupling screw								
37	7422244	Schl.-Verschr.	Hose coupling screw								



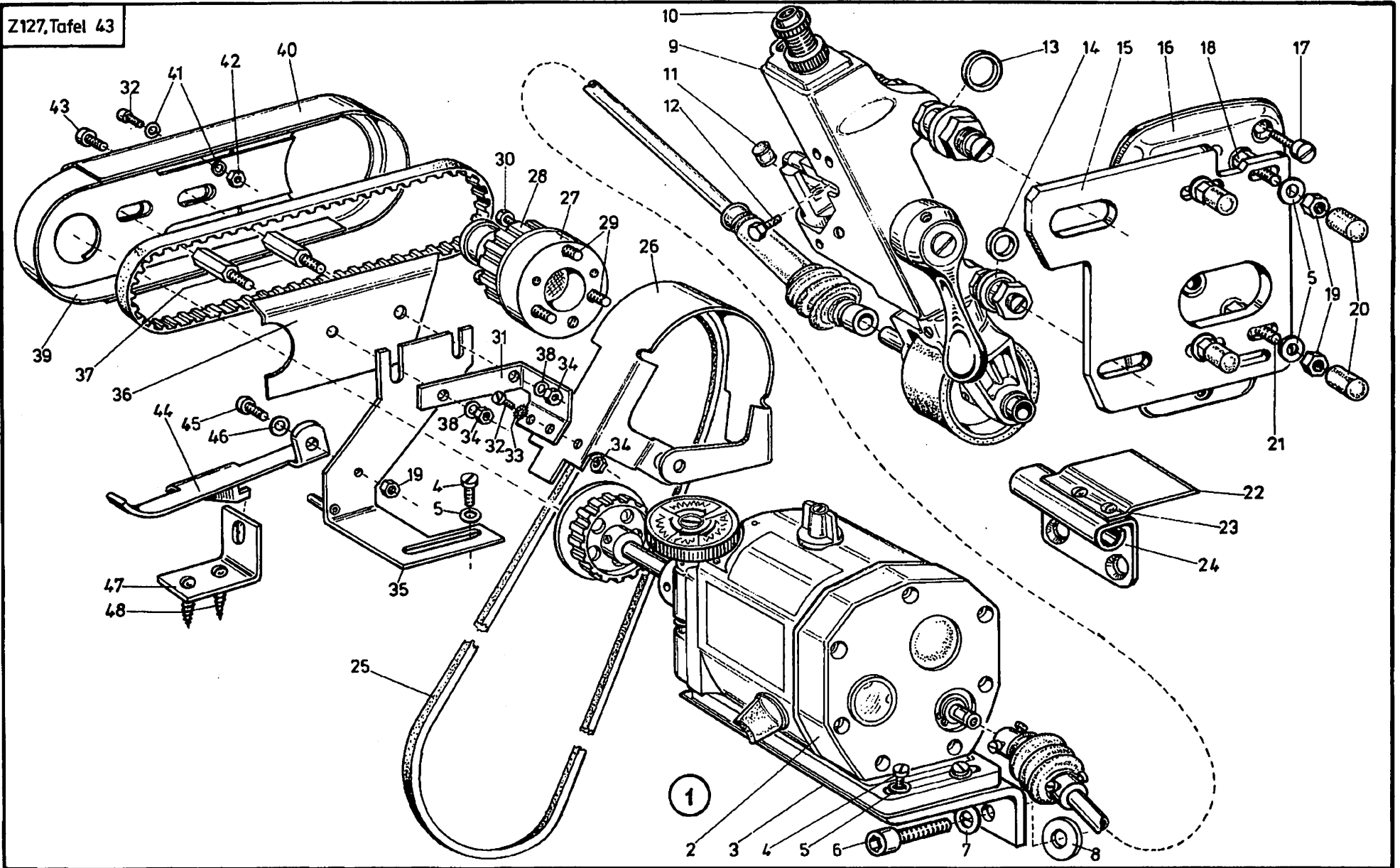
Pos. Det.	Teile Nr. Part No.	Benennung	Denomination	Pos. Det.	Teile Nr. Part No.	Benennung	Denomination	Pos. Det.	Teile Nr. Part No.	Benennung	Denomination
<b><u>Z 125-5 L, Z 125-5 R</u></b>											
<b>Z 125-5 L</b>											
1	Z125101	Nadelpositionier- einrichtung links kpl. (best. aus Pos. 1 bis 16)	Needle positioning device left hand cpl. (cons. of pos. 1 up to 16)								
2	Z125103	Winkel kpl.	Knee cpl.								
3	Z125108	Stift	Pin								
4	255129	Sicher.-Scheibe	Safety washer								
5	Z125111	Federsatz (links)	Contact assembly LH								
6	Z125114	Bef.-Platte	Mounting plate								
7	Z125115	Zyl.-Schraube	Cyl. head screw								
8	Z125117	Lüsterklemme	Luster terminal								
9	Z125118	Zyl.-Schraube	Cyl. head								
10	Z125120	Winkel	Angle								
11	7441839	Schelle	Clip								
12	10019128	Zyl.-Schraube	Cyl. head screw								
13	Z125124	Leitung	Cable								
14	23810535	Steckverbinder	Plug type connector								
15	Z125131	Leitung	Cable								
16	Z125135	Schlauch	Hose								
<b>Z 125-5 R</b>											
17	Z125102	Nadelpositionier- einrichtung rechts kpl. (best. aus Pos. 1 bis 4, 6 bis 16 und 18)	Needle positioning device right hand cpl. (cons. of pos. 1 up to 4, 6 up to 16 and 18)								
18	Z125116k	Federsatz (rechts)	Contact assembly RH								



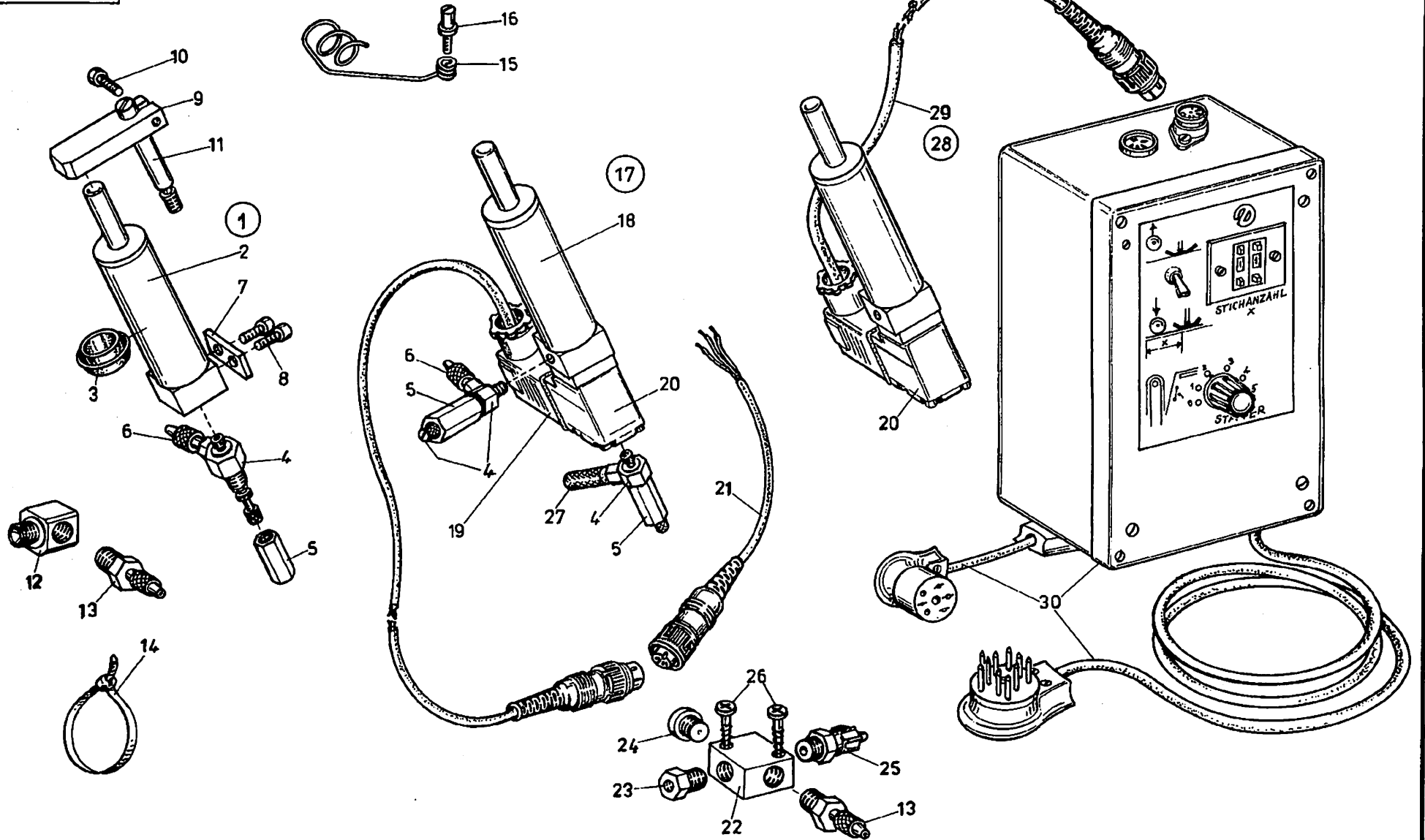
Pos. Det.	Teile Nr. Part No.	Benennung	Denomination	Pos. Det.	Teile Nr. Part No.	Benennung	Denomination	Pos. Det.	Teile Nr. Part No.	Benennung	Denomination
	<b>Z 126-1, -2</b>										
	<b>Z 126-1</b>										
1	Z126181	Pneumat. Nadel-schaltung für rechte oder linke Nadel kpl. (best. aus Pos. 2 bis 33 und 37, 38)	Pneumatic needle feed motion for right hand or left hand needle cpl. (cons. of pos. 2 up to 33 and 37, 38)	32	72043	Scheibe	Washer				
2	7971520	Zylinder	Cylinder	33	72042a	6kt.-Mutter	Hexagonal nut				
3	74423566	Schl.-Verschr.	Hose coupling screw			<b>Z 126-2</b>					
4	Z126107	Bolzen	Bolt	34	Z126241	Pneum. Nadel-schaltung für rechte und linke Nadel kpl. (best. aus Pos. 2 bis 11, 13 bis 22, 23, 30 bis 33)	Pneumatic needle feed motion for right hand and left hand needle cpl. (cons. of pos. 2 up to 11, 13 up to 22, 23, 30 up to 33)				
5	MG8/7d	6kt.-Mutter	Hexagonal nut	35	74423556	Winkelverschr.	Square coupling screw				
6	74422392	Gabelkopf	Fork head	36	7442526	Verteiler	Distributor				
7	74422393	E S Bolzen	E S Bolt	37	Z151302	Kabelband	Cable band				
8	Z126101	Haltewinkel	Supporting angle	38	Z113290	Schelle	Clip				
9	5571015	Scheibe	Washer								
10	5571971	Gewindestift	Threaded stud								
11	249230	6kt.-Mutter	Hexagonal nut								
12	Z126122k	Ventil kpl. (best. aus Pos. 13 bis 22 und 23)	Valve cpl. (cons. of pos. 13 up to 22 and 23)								
13	7449317	3/2-Wege-Ventil	3/2 Directional control valve								
14	Z126145	Lagerbock	Pillow block								
15	10019141	Schraube	Screw								
16	Z126148	Hebel	Lever								
17	Z126141	Bef.-Blech	Mounting plate								
18	MG45/90	Zyl.-Schraube	Cyl. head screw								
19	NBO/1720	Bügel	Bow								
20	Z11661	Reduzierstück	Reducer								
21	718156	Winkelverschr.	Square coupling screw								
22	P12516	Schnellverschr.	Quick coupling screw								
23	Z126151	Trittstange kpl. (best. aus Pos. 24 bis 30)	Rods cpl. (cons. of pos. 24 up to 30)								
24	Z126152	Stange	Rod								
25	MG43/409	6kt.-Mutter	Hexagonal nut								
26	5562267	Gelenk	Ball bearing link								
27	MG43/2510	Scheibe	Washer								
28	MG43/403	Klemme	Clamp								
29	MG43/404	6kt.-Schraube	Hexagonal screw								
30	MG43/2611	Fußtritt kpl.	Pedal cpl.								
31	MG43/36	6kt.-Schraube	Hexagonal screw								



Z127, Tafel 43

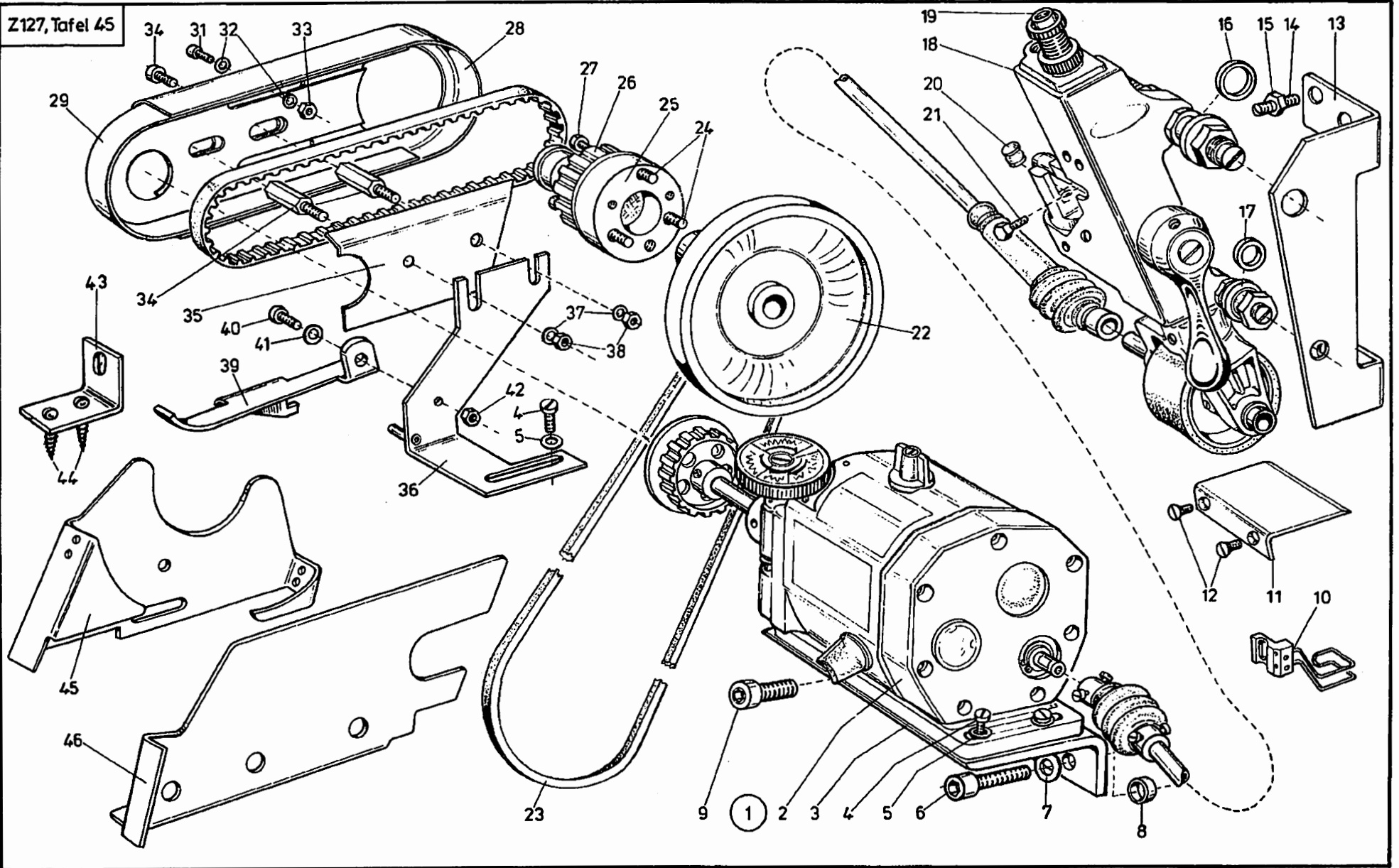


Pos. Det.	Teile Nr. Part No.	Benennung	Denomination	Pos. Det.	Teile Nr. Part No.	Benennung	Denomination	Pos. Det.	Teile Nr. Part No.	Benennung	Denomination
<b>Z 127-243-1</b>				41	5691895	Scheibe	Washer				
1	Z127411	Puller kpl. (best. aus Pos. 2 bis 48) Siehe auch Tafel 44	Puller cpl. (cons. of pos. 2 up to 48) See also table 44	42	202704	6kt.-Mutter	Hexagonal nut				
2	Z127413	Puller	Puller	43	216123	Zyl.-Schraube	Cyl. head screw				
3	Z127416	Winkel	Square	44	74441124	Sperrklinke	Detent pawl				
4	211373	Zyl.-Schraube	Cyl. head screw	45	902602	Zyl.-Schraube	Cyl. head screw				
5	024275	Scheibe	Washer	46	570939b	Scheibe	Washer				
6	570522	Zyl.-Schraube	Cyl. head screw	47	Z127406	Winkel	Angle				
7	249342a	Scheibe	Washer	48	MG41/1364	Holzschraube	Wood screw				
8	570751a	Scheibe	Washer								
9	Z127417	Rollenhalter	Roll holder								
10	Z127419	Stange	Rod								
11	5663086	Kunststoffmuffe	Plastic sleeve								
12	226700	6kt.-Schraube	Hexagonal screw								
13	5681088	Scheibe	Washer								
14	5701429	Scheibe	Washer								
15	Z127427	Platte	Mounting plate								
16	Z127325	Kopfdeckel	Face cover								
17	213370	Zyl.-Schraube	Cyl. head screw								
18	Z127424	Bolzen	Bolt								
19	MG8/7d	Mutter	Nut								
20	Z1181155	Druckstück	Thrust piece								
21	Z127425	Bolzen	Bolt								
22	Z127368	Winkel	Angle								
23	10019130	Linsenschraube	Fillister head screw								
24	Z127367	Scharnier	Hinge								
25	720409b	Keilriemen	V-Belt								
26	Z127361	Schutzkappe	Protective cap								
27	Z127363	Flansch	Flange								
28	Z127307k	Riemenscheibe	Strap disc								
29	5671532	Zyl.-Schraube	Cyl. head screw								
30	MG41/4571	Zyl.-Schraube	Cyl. head screw								
31	Z127346	Winkel	Angle								
32	739255	Zyl.-Schraube	Cyl. head screw								
33	911267	Zahnscheibe	Tooth lock washer								
34	237202	6kt.-Mutter	Hexagonal nut								
35	Z127344	Winkel	Angle								
36	Z127363	Schutzblech	Guard plate								
37	Z127354	Bolzen	Bolt								
38	74450243	Scheibe	Washer								
39	Z127310	Riemenschutz	Belt guard								
40	Z127313	Riemenschutz	Belt guard								



Pos. Det.	Teile Nr. Part No.	Benennung	Denomination	Pos. Det.	Teile Nr. Part No.	Benennung	Denomination	Pos. Det.	Teile Nr. Part No.	Benennung	Denomination
		<b>Z 127-243-2; -243-3; -243-4</b>				<b>Z 127-243-4</b>					
		<b>Z 127-243-2</b>		28	Z 127771	Puller kpl. (best. aus Pos. 3 bis 11, 13 bis 16, 18, 20, 22, 23, 24, 26, 27, 29, 30 und Tafel 43)	Puller cpl. (cons. of pos. 3 up to 11, 13 up to 16, 18, 20, 22, 23, 24, 26, 27, 29, 30 und table 43)				
1	Z 127471	Puller kpl. (best. aus Pos. 2 bis 16 und Tafel 43)	Puller cpl. (cons. of pos. 2 up to 16 and table 43)	29	Z 127686	Leitung	Cable				
2	Z 127443	Zylinder	Cylinder	30	Z 127661	Steuerung	Control system				
3	7461547	Lippenring	Lip ring								
4	Z 11647	Drosselventil	Throttle valve								
5	Z 11648	Abdeckmutter	Special nut								
6	7422244	Schl.-Verschr.	Hose coupling screw								
7	Z 127454	Lasche	Shackle								
8	7441609	Zyl.-Schraube	Cyl. head screw								
9	Z 127474	Kloben kpl. (mit Pos. 10)	Block cpl. (with pos. 10)								
10	93311296	Zyl.-Schraube	Cyl. head screw								
11	Z 127476	Gew.-Bolzen	Threaded bolt								
12	7442526	Verteilerstück	Distributor								
13	7422238	Schl.-Verschr.	Hose coupling screw								
14	Z 161302	Kabelband	Cable band								
15	7991612	Kabelhalter	Cable holder								
16	App. 528	Schraube	Screw								
		<b>Z 127-243-3</b>									
17	Z 127591	Puller kpl. (best. aus Pos. 3 bis 11, 13 bis 16, 18 bis 27 und Tafel 43)	Puller cpl. (cons. of pos. 3 up to 11, 13 up to 16, 18 up to 27 and table 43)								
18	Z 127543	Zylinder	Cylinder								
19	Z 127571	Leitung	Cable								
20	797319	Magnetventil	Solenoid valve								
21	Z 127581	Leitung	Cable								
22	7449491	Verteilerstück	Distributor								
23	Z 120362	Reduzierstück	Reducer								
24	P 12159	Blindstopfen	Blind plug								
25	74423566	Schl.-Verschr.	Hose coupling screw								
26	MG 41/4524	Holzschraube	Wood screw								
27	Z 11649	Schalldämpfer	Silencer								

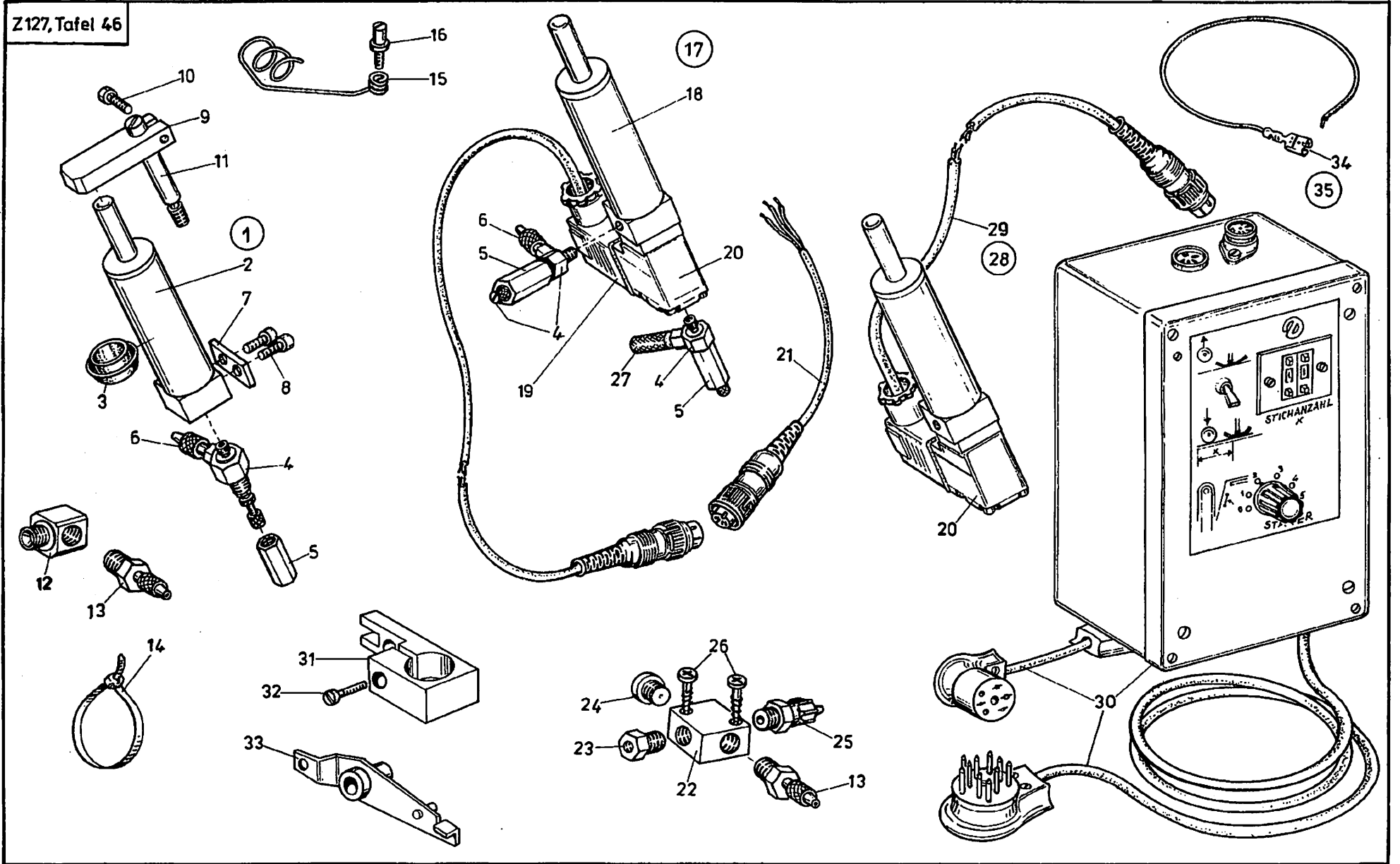
Z127, Tafel 45



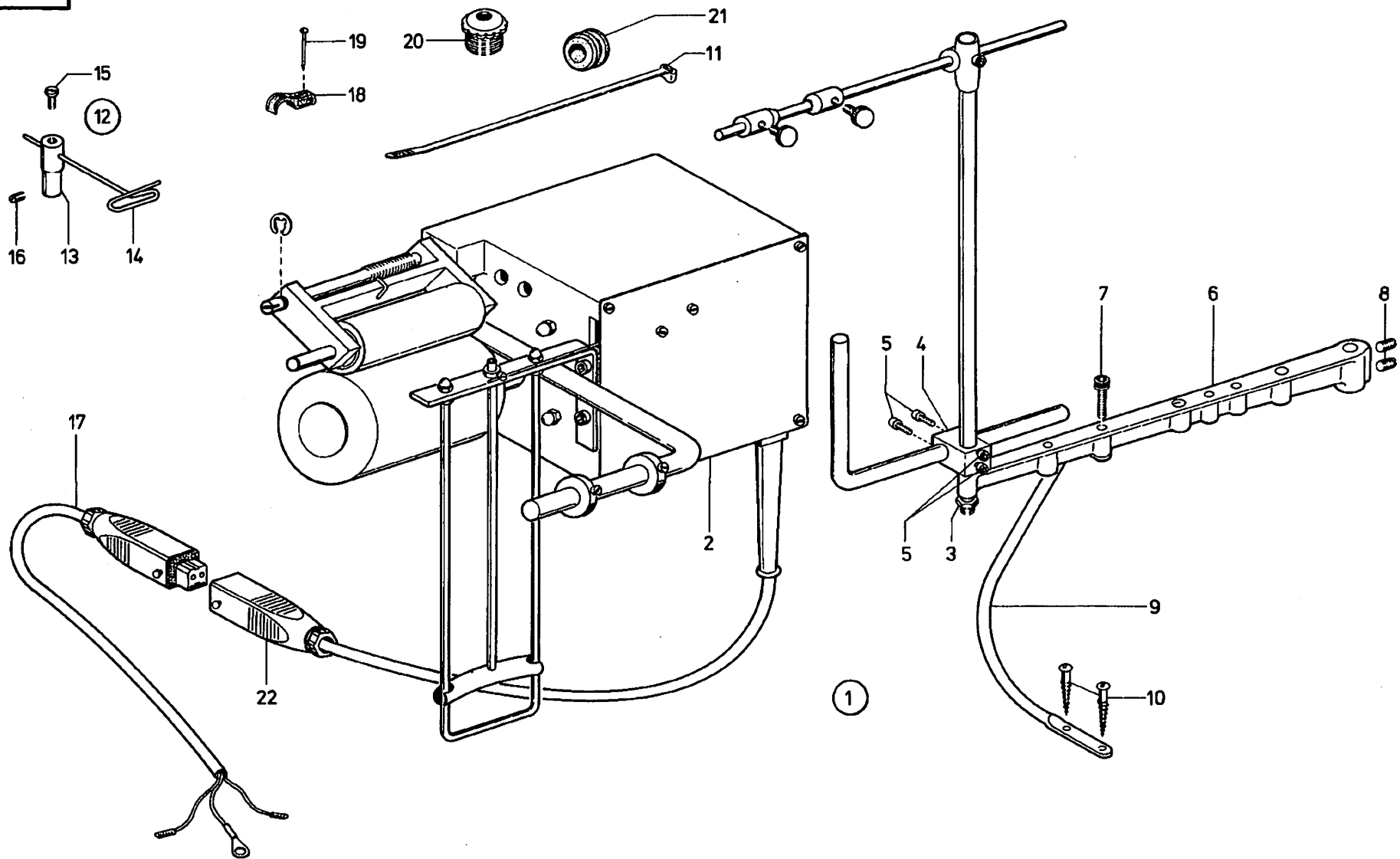


Pos. Det.	Teile Nr. Part No.	Benennung	Denomination	Pos. Det.	Teile Nr. Part No.	Benennung	Denomination	Pos. Det.	Teile Nr. Part No.	Benennung	Denomination
<b>Z 127-380-1</b>				40	902602	Zyl.-Schraube	Cyl. head screw				
1	Z127881	Puller kpl. (best. aus Pos. 2 bis 46)	Puller cpl. (cons. of pos. 2 up to 46)	41	570939b	Scheibe	Washer				
		Siehe auch Tafel 46	See also table 46	42	MG 8/7d	6kt.-Mutter	Hexagonal nut				
2	Z127413	Puller	Puller	43	Z127406	Winkel	Angle				
3	Z127415	Winkel	Angle	44	MG 41/1364	Holzschraube	Wood screw				
4	Z11373	Zyl.-Schraube	Cyl. head screw	45	Z127856	Schutzkappe	Protective cover				
5	024275	Scheibe	Washer	46	Z127855	Schutzblech	Guard plate				
6	570522	Zyl.-Schraube	Cyl. head screw								
7	249342a	Scheibe	Washer								
8	Z127822	Hülse	Sleeve								
9	911376	Zyl.-Schraube	Cyl. head screw								
10	Z127871	Fingerschutz	Finger guard								
11	Z127850	Winkel	Angle								
12	7395024	Senkschraube	Countersunk screw								
13	Z127891	Winkel	Angle								
14	5571971	Gewindestift	Threaded stud								
15	249230	6kt.-Mutter	Hexagonal nut								
16	5581088	Scheibe	Washer								
17	5701429	Scheibe	Washer								
18	Z127417	Rollenhalter	Roll holder								
19	Z127419	Stanga	Rod								
20	5563086	Kunststoffmuffe	Plastic sleeve								
21	225700	6kt.-Schraube	Hexagonal screw								
22	Z127841	Handrad	Hand wheel								
23	720409e	Kellriemen	V-belt								
24	5571532	Zyl.-Schraube	Cyl. head screw								
25	Z127363	Flansch	Flange								
26	Z127307k	Riemenscheibe	strap disc								
27	MG 41/4571	Zyl.-Schraube	Cyl. head screw								
28	Z127313	Riemenschutz	Strap disc								
29	Z127310	Riemenschutz	Strap disc								
30	739255	Zyl.-Schraube	Cyl. head screw								
31	5691895	Scheibe	Washer								
32	202704	6kt.-Mutter	Hexagonal nut								
33	Z127310	Zyl.-Schraube	Cyl. head screw								
34	Z127354	Bolzen	Bolt								
35	Z127353	Schutzblech	Guard plate								
36	Z127828	Winkel	Angle								
37	74450243	Scheibe	Washer								
38	237202	6kt.-Mutter	Hexagonal nut								
39	74441124	Sperrklinke	Detent pawl								

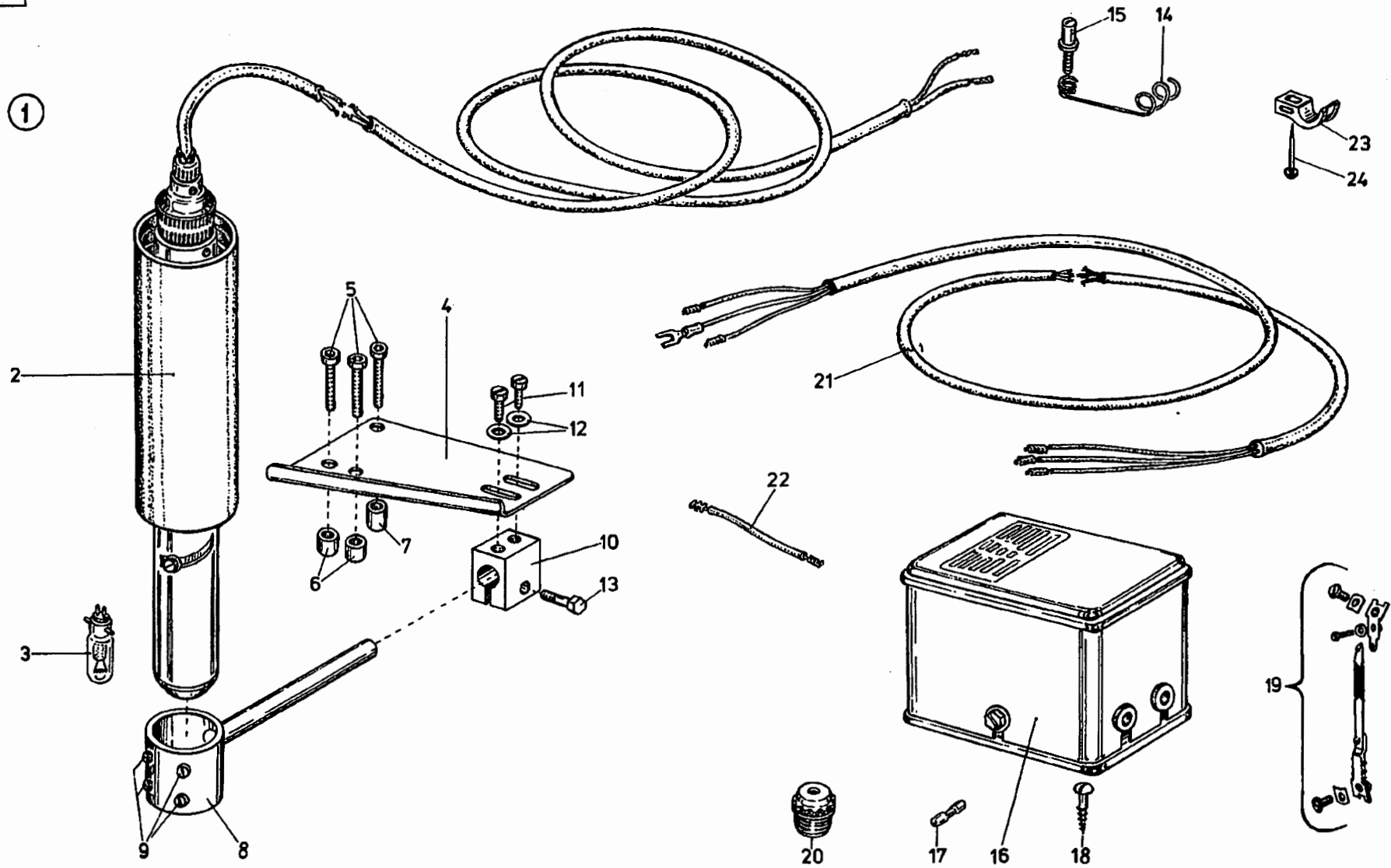




Pos. Det.	Teile Nr. Part No.	Benennung	Denomination	Pos. Det.	Teile Nr. Part No.	Benennung	Denomination	Pos. Det.	Teile Nr. Part No.	Benennung	Denomination
		<b>Z 127-380-2, -380-3, -380-4, -380-5</b>				<b>Z 127-380-4</b>					
		<b>Z 127-380-2</b>				<b>Z 127-380-5</b>					
1	Z127931	Puller kpl. (best. aus Pos. 2 bis 11, 13, 14, 31 bis 33 und Tafel 45)	Puller cpl. (cons. of pos. 2 up to 11, 13, 14, 31 up to 33 and table 45)	28	Z1271101	Puller kpl. (best. aus Pos. 11, 13, 18, 20, 22, 24 bis 27, 30 bis 34 und Tafel 45)	Puller cpl. (cons. of pos. 11, 13, 18, 20, 22, 24 up to 27, 30 up to 34 and table 45)				
2	Z127443	Zylinder	Cylinder	30	Z127661	Steuerung	Control system				
3	7481647	Lippenring	Lip ring	31	Z127919	Kloben	Block				
4	Z11647	Drosselventil	Throttle valve	32	Z13370	Zyl.-Schraube	Cyl. head screw				
5	Z11648	Abdeckmutter	Special nut	33	Z127922	Hebel	Lever				
6	7422244	Schl.-Verschr.	Hose coupling screw	34	Z1271136	Leitung	Cable				
7	Z127464	Lasche	Shackle								
8	7441609	Zyl.-Schraube	Cyl. head screw								
9	Z127474	Kloben (mit Pos. 10)	Block (with pos. 10)	35	Z1271181	Puller kpl. (best. aus Pos. 2 bis 13, 25, 31 bis 33 und Tafel 45)	Puller cpl. (cons. of pos. 2 up to 13, 25, 31 up to 33 and table 45)				
10	93311296	Zyl.-Schraube	Cyl. head screw								
11	Z127476	Gew.-Bolzen	Threaded bolt								
12	7442526	Verteilerstück	Distributor								
13	7422238	Schl.-Verschr.	Hose coupling screw								
14	Z151302	Kabelband	Cable band								
15	7991612	Kabelhalter	Cable holder								
16	App. 528	Schraube	Screw								
		<b>Z 127-380-3</b>									
17	Z1271041	Puller kpl. (best. aus Pos. 11, 13, 14, 19 bis 21, 27, 31 bis 33 und Tafel 45)	Puller cpl. (cons. of pos. 11, 13, 14, 19 up to 21, 27, 31 up to 33 and table 45)								
18	Z127543	Zylinder	Cylinder								
19	Z127571	Leitung	Cable								
20	797319	Magnetventil	Solenoid valve								
21	Z127581	Leitung	Cable								
22	7449491	Verteilerstück	Distributor								
23											
24	P12169	Blindstopfen	Blind plug								
25	74423666	Schl.-Verschr.	Hose coupling screw								
26	MG41/4524	Holzschraube	Wood screw								
27	Z11649	Schalldämpfer	Silencer								

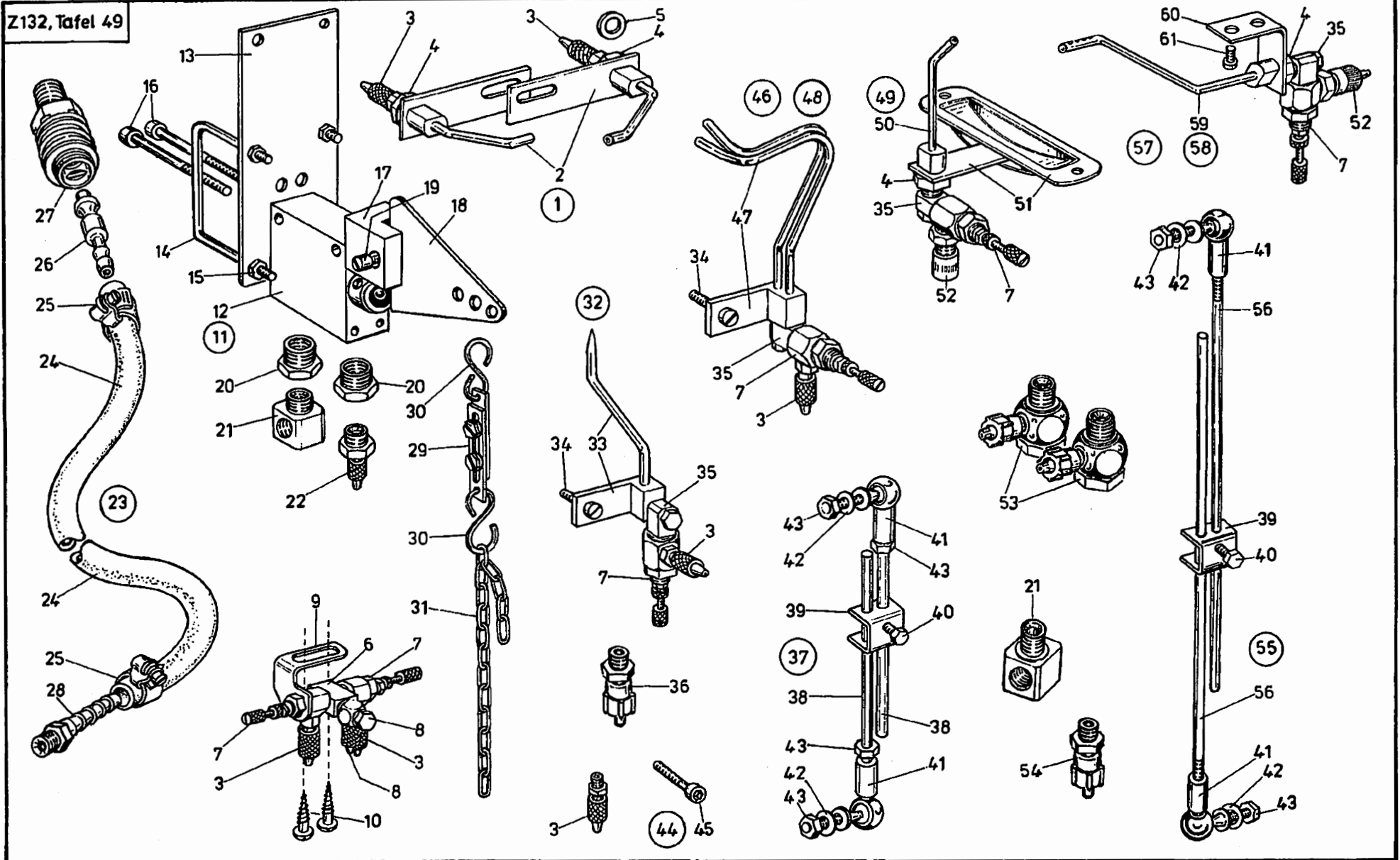


Pos. Det.	Teile Nr. Part No.	Benennung	Denomination	Pos. Det.	Teile Nr. Part No.	Benennung	Denomination	Pos. Det.	Teile Nr. Part No.	Benennung	Denomination
<b>Z 129-1</b>											
1	Z 1291	Puller kpl. (best. aus Pos. 2 bis 22)	Puller cpl. (cons. of pos. 2 up to 22)								
2	Z 1295	Puller (mit Pos. 22)	Puller (with pos. 22)								
3	72042a	Gkt.-Mutter	Hexagonal nut								
4	Z 12911	Kloben	Block								
5	2194240	Zyl.-Schraube	Cyl. head screw								
6	9424555	Bandrol.-Halter	Tape reel holder								
7	74420766	Zyl.-Schraube	Cyl. head screw								
8	911688	Gewindestift	Threaded stud								
9	9424753	Stütze	Stay								
10	7101450	Holzschraube	Wood screw								
11	Z 151302	Kabelband	Cable band								
12	9331249k	Bandführung kpl. (best. aus Pos. 13 bis 16)	Tape guide cpl. (cons. of pos. 13 up to 16)								
13	9331249	Führungshalter	Guidance holder								
14	9331250	Bandführung	Tape guide								
15	5511252	Zyl.-Schraube	Cyl. head screw								
16	70220	Gewindestift	Threaded stud								
17	Z 12935	Leitung	Cable								
18	7442168	Nagelschelle	Nail clip								
19	7442094	Stahlnagel	Steel nail								
20	2401129	Würgenippel	Twist nipple								
21	798221025	Tülle	Nozzle								
22	798482404	Stecker	Contact plug								

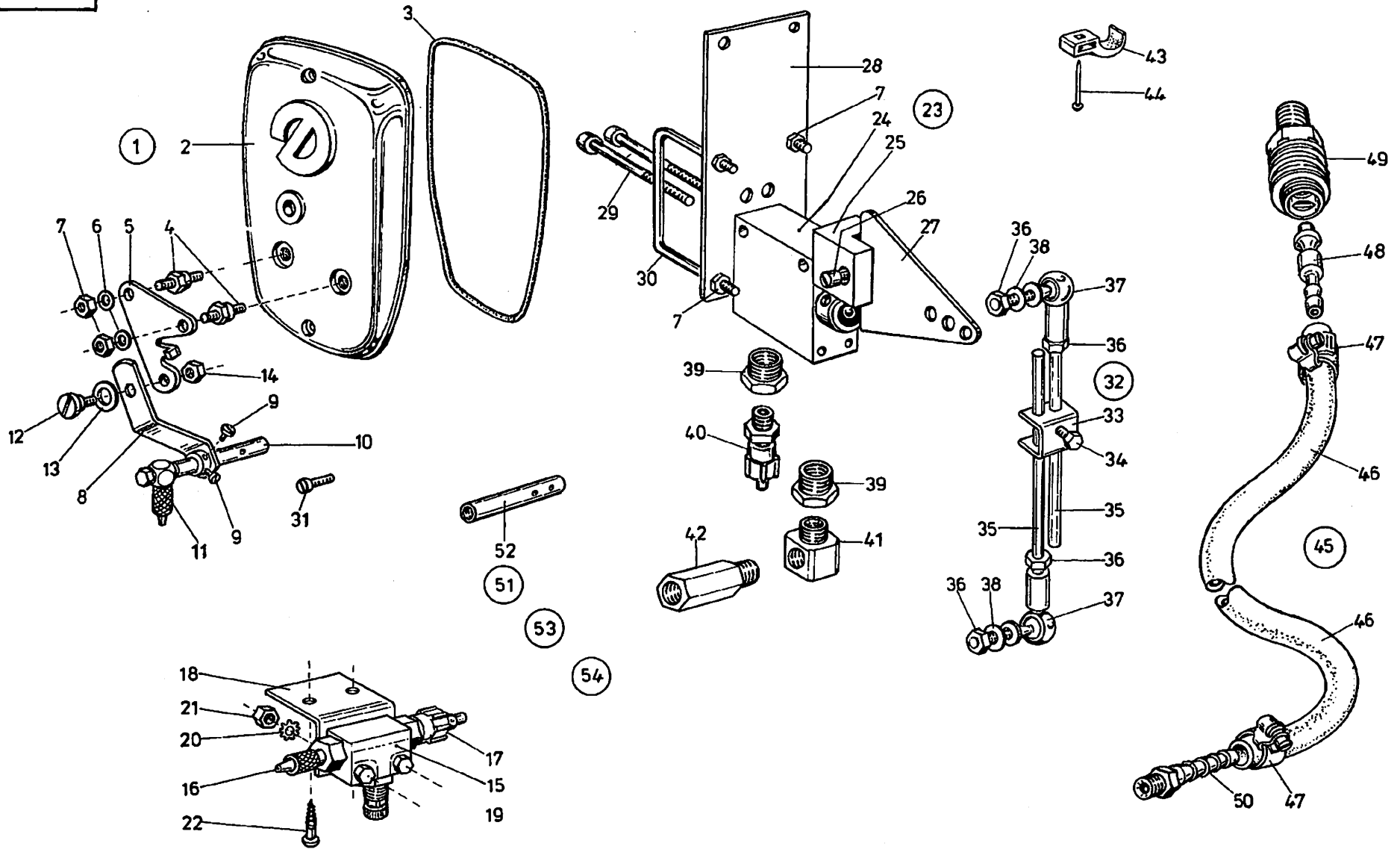


Pos. Det.	Teile Nr. Part No.	Benennung	Denomination	Pos. Det.	Teile Nr. Part No.	Benennung	Denomination	Pos. Det.	Teile Nr. Part No.	Benennung	Denomination
<b>Z 130-570</b>											
1	Z1301	Markierungsleuchte kpl. (best. aus Pos. 2 bis 24)	Marking light cpl. (consisting of pos. 2 up to 24)								
2	7461402	Lichtsender	Light sender								
3	7461404	Lampe	Lamp								
4	Z1306	Halteblech	Retaining plate								
5	7422036	Zyl.-Schraube	Cyl. head screw								
6	Z1308	Abstandshülse	Distance sleeve								
7	Z1309	Abstandshülse	Distance sleeve								
8	Z13013	Rohr kpl. (mit Pos. 9)	Tube cpl. (with pos. 9)								
9	42084	Gewindestift	Threaded stud								
10	Z13019	Klemmkloben kpl. (best. aus Pos. 10, 11, 12, 13)	Clamping block cpl. (cons. of pos. 10, 11, 12, 13)								
11	216123	Zyl.-Schraube	Cyl. head screw								
12	024275	Scheibe	Washer								
13	556587	Schraube	Screw								
14	7991812	Kabelhalter	Cable holder								
15	App. 528	Schraube	Screw								
16	Z13031	Einph.-Trafo	Single-phase trafo								
17	Z13032	Feinsicherung	Fine-wire fuse								
18	2119700	Holzschraube	Wood screw								
19	7422598	Hilfsschalter	Auxiliary switch								
20	2401129	Würgenippel	Twist nipple								
21	Z13041	Leitung	Cable								
22	Z13045	Leitung	Cable								
23	7442168	Iso-Nagelschelle	Iso nail clip								
24	7442094	Fix-Stahlnadeln	Fix steel needles								

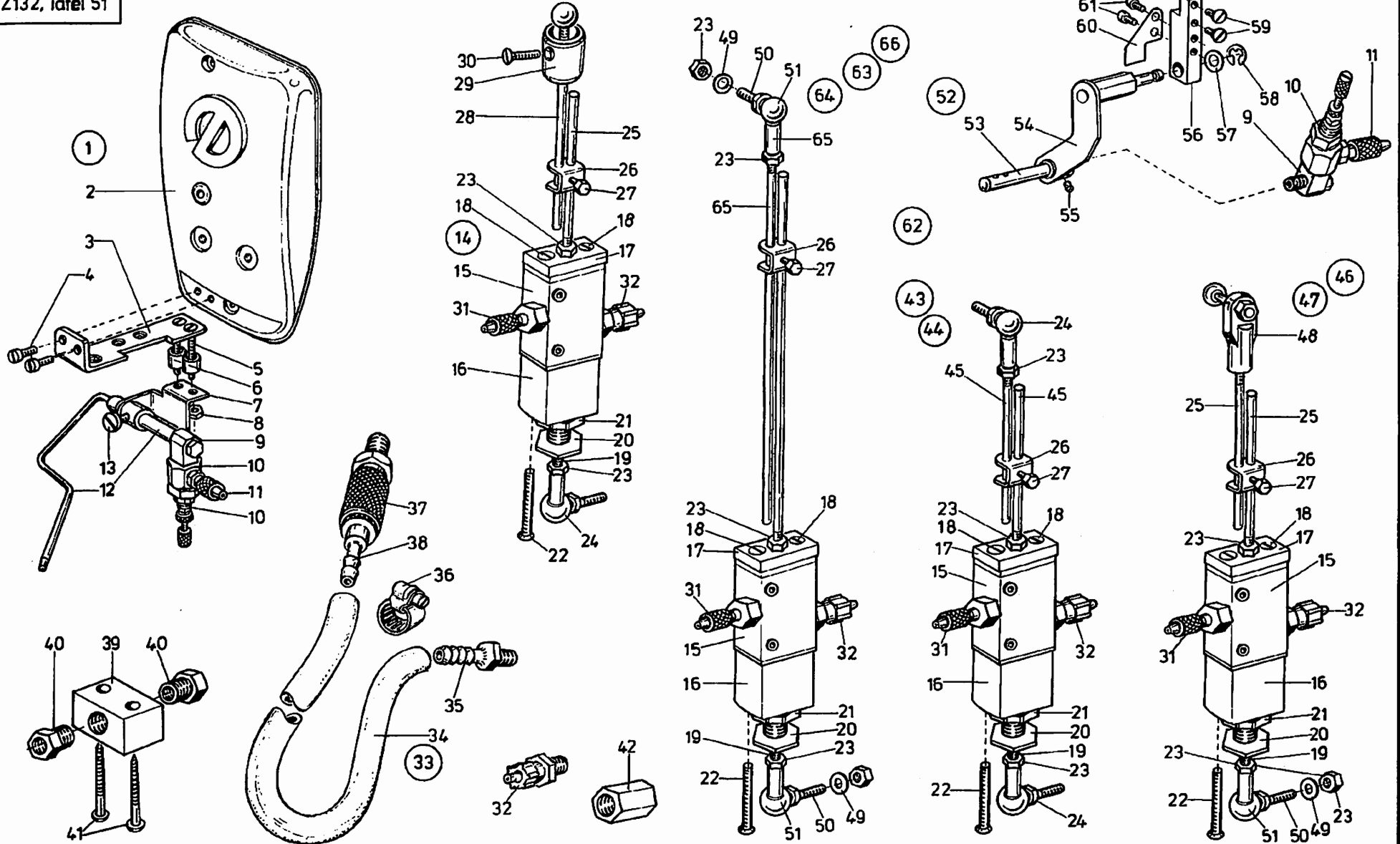




Pos. Det.	Teile Nr. Part No.	Benennung	Denomination	Pos. Det.	Teile Nr. Part No.	Benennung	Denomination	Pos. Det.	Teile Nr. Part No.	Benennung	Denomination
<b>Z 132-249, -933-1, -933-2, -211, -265</b>				<b>Z 132-933-1</b>				<b>Z 132-211</b>			
<b>Z 132-249</b>				32	Z132491k	Nadelkühlung mit Steuerung kpl. (best. aus Pos. 3, 7, 11 bis 21, 23 bis 28, 32 bis 43)	Needle cooling with control system cpl. (cons. of pos. 3, 7, 11 up to 21, 23 up to 28, 32 up to 43)	49	Z132591	Nadelkühlung kpl. (best. aus Pos. 4, 7, 11, 35, 50 bis 56)	Needle cooling cpl. (cons. of pos. 4, 7, 11, 35, 50 up to 56)
1	Z132191	Blaseinrichtung zur Nadelkühlung kpl. (best. aus Pos. 2 bis 31)	Blowing device to needle cooling cpl. (cons. of pos. 2 up to 31)	33	Z132491	Blasrohr	Blow pipe	50	Z132611	Blasrohr	Blow pipe
2	Z132102	Blasrohr	Blow pipe	34	21688	Zyl.-Schraube	Cyl. head screw	51	Z132607	Getriebedeckel	Gearing cover
3	7422244	Schnellverschr.	Quick coupling screw	35	23810073	Schwenkbares L-Stück	Swinging L-coupling piece	52	7221139	Schl.-Verschr.	Hose coupling screw
4	72042a	6kt.-Mutter	Hexagonal nut	36	74423566	Schl.-Verschr.	Hose coupling screw	53	7441974	L-Verschr.	L-coupling screw
5	72043	Scheibe	Washer	37	Z126151	Trittstange kpl. (best. aus Pos. 38 bis 43)	Rods cpl. (cons. of pos. 38 up to 43)	54	P12516	Schl.-Verschr.	Hose coupling screw
6	7449183	T-Stück	T-piece	38	Z126152	Stange	Rod	55	MG43/401	Trittstange kpl. (best. aus Pos. 39 bis 43 und 56)	Rods cpl. (cons. of pos. 39 up to 43 and 56)
7	Z11647	Regulierventil	Adjusting valve	39	MG43/403	Klemme	Clamp	56	MG43/402	Stange	Rod
8	746768	Schwenkb. L-Verschr.	Swinging L-coupling screw	40	MG43/404	6kt.-Schraube	Hexagonal screw	<b>Z 132-211</b>			
9	5701871	Bef.-Winkel	Angle bracket	41	5562267	Kugelgelenk	Ball-and-socket joint	57	Z132621	Nadelkühlung kpl. (best. aus Pos. 4, 7, 11, 20, 21, 35, 36, 37, 51 und 52)	Needle cooling cpl. (cons. of pos. 4, 7, 11, 20, 21, 35, 36, 37, 51 and 52)
10	7101450	Holzschraube	Wood screw	42	MG43/2510	Schelbe	Washer	<b>Z 132-265</b>			
11	Z126122	Ventil kpl. (best. aus Pos. 12 bis 19)	Valve cpl. (cons. of pos. 12 up to 19)	43	MG43/409	6kt.-Mutter	Hexagonal nut	58	Z132641	Nadelkühlung kpl. (best. aus Pos. 4, 7, 11, 20, 21, 23, 35, 36, 37, 52, 59, 60, 61)	Needle cooling cpl. (cons. of pos. 4, 7, 11, 20, 21, 23, 35, 36, 37, 52, 59, 60, 61)
12	7449317	Ventil	Valve	<b>Z 132-933-2</b>				59	Z132656	Blasrohr	Blow pipe
13	Z126141	Bef.-Blech	Mounting plate	44	Z132510	Nadelkühlung ohne Steuerung (best. aus Pos. 3, 7, 33, 35, 45)	Needle cooling without control system (cons. of pos. 3, 7, 33, 35, 45)	60	Z132653	Winkel	Angle
14	NBO/1720	Bügel	Bow	45	7422036	Zyl.-Schraube	Cyl. head screw	61	223700	Schraube	Screw
15	MG8/7d	6kt.-Mutter	Hexagonal nut	<b>Z 132-933-2</b>				<b>Z 132-211</b>			
16	MG45/90	Zyl.-Schraube	Cyl. head screw	46	Z132531	Nadelkühlung kpl. (best. aus Pos. 3, 7, 11 bis 28, 34 bis 43, 47)	Needle cooling cpl. (cons. of pos. 3, 7, 11 up to 28, 34 up to 43, 47)	<b>Z 132-265</b>			
17	Z126145	Lagarbock	Pillow block	47	Z132532	Blasrohr	Blow pipe	<b>Z 132-265</b>			
18	Z126148	Hebel	Lever	<b>Z 132-933-2</b>				<b>Z 132-265</b>			
19	10019141	Schraube	Screw	48	Z132548	Nadelkühlung ohne Steuerung (best. aus Pos. 3, 7, 34, 35, 47)	Needle cooling without control system (cons. of pos. 3, 7, 34, 35, 47)	<b>Z 132-265</b>			
20	Z11661	Reduzierstück	Reducer	<b>Z 132-933-2</b>				<b>Z 132-265</b>			
21	P12153	Winkelstück	Bend elbow	<b>Z 132-933-2</b>				<b>Z 132-265</b>			
22	7422238	Schnellverschr.	Quick coupling screw	<b>Z 132-933-2</b>				<b>Z 132-265</b>			
23	72171	Anschlußschlauch kpl. (best. aus Pos. 24 bis 28)	Coupling hose cpl. (cons. of pos. 24 up to 28)	<b>Z 132-933-2</b>				<b>Z 132-265</b>			
24	Z11577	Anschl.-Schlauch	Coupling hose	<b>Z 132-933-2</b>				<b>Z 132-265</b>			
25	7422096	Schl.-Klemme	Hose clip	<b>Z 132-933-2</b>				<b>Z 132-265</b>			
26	7449513	Schlauchdüse	Hose nozzle	<b>Z 132-933-2</b>				<b>Z 132-265</b>			
27	7441793a	Schl.-Kupplung	Hose coupling	<b>Z 132-933-2</b>				<b>Z 132-265</b>			
28	Z11538	Schlauchdüse	Hose nozzle	<b>Z 132-933-2</b>				<b>Z 132-265</b>			
29	2401282	Zuglasche kpl.	Traction shackle cpl.	<b>Z 132-933-2</b>				<b>Z 132-265</b>			
30	052361	S-Haken	S-Hook	<b>Z 132-933-2</b>				<b>Z 132-265</b>			
31	052380	Kette	Chain	<b>Z 132-933-2</b>				<b>Z 132-265</b>			



Pos. Det.	Teile Nr. Part No.	Benennung	Denomination	Pos. Det.	Teile Nr. Part No.	Benennung	Denomination	Pos. Det.	Teile Nr. Part No.	Benennung	Denomination
<b><u>Z 132-933-11, -933-12, -933-41, -933-42</u></b>											
1	Z132691	Nadelkühlung mit Steuerung kpl. (best. aus Pos. 2 bis 51)	Needle cooling with control system cpl. (consisting of pos 2 up to 51)	33	MG43/403	Klemme	Clamp				
2	2123011	Kopfdeckel kpl. (mit Pos. 3)	Face plate cpl. (with pos. 3)	34	MG43/404	6kt.-Schraube	Hexagonal screw				
3	212297	Rundschnurring	Round cord ring	35	Z126152	Stange	Rod				
4	2113016	Bolzen	Bolt	36	MG43/409	6kt.-Mutter	Hexagonal nut				
5	Z132694	Lichtschr.-Halt.	Light barrier holder	37	5562267	Gelenk	Ball-and-socket joint				
6	024275	Scheibe	Washer	38	MG43/2510	Scheibe	Washer				
7	MG8/7d	6kt.-Mutter	Hexagonal nut	39	Z11661	Reduzierstück	Reducer				
8	Z132697	Hebel	Lever	40	74423666	Schl.-Verschr.	Hose coupling screw				
9	216508	Zyl.-Schraube	Cyl. head screw	41	P12153	Winkelstück	Supporting angle piece				
10	Z132701	Düse	Nozzle	42	74425556	Rückschlagventil	Reflux valve				
11	746768	Schl.-Verschr.	Hose coupling screw	43	79813	Iso-Nagelschelle	Iso nail clip				
12	55614239	Ansatzschraube	Shoulder screw	44	79814	Stahlnagel	Steel nail				
13	2113027	Federscheibe	Leaf spring	45	72171	Anschlußschlauch kpl. (best. aus Pos. 46 bis 50)	Coupling screw cpl. (cons. of pos. 46 up to 50)				
14	2522389	6kt.-Mutter	Hexagonal nut	46	Z11577	Anschl.-Schlauch	Coupling screw				
15	7441820	Ventil	Valve	47	7422086	Schlauchklemme	Hose clip				
16	7422238	Schl.-Verschr.	Hose coupling screw	48	7449513	Schlauchtülle	Hose nozzle				
17	7441816	Schl.-Verschr.	Hose coupling screw	49	7441793a	Schl.-Kupplung	Hose coupling				
18	7449384	Winkel	Angle	50	Z11538	Schlauchtülle	Hose nozzle				
19	7426086	6kt.-Schraube	Hexagonal screw	<b>Z 132-933-12</b>							
20	911267	Zahnscheibe	Tooth lock washer	51	Z132741	Nadelkühlung mit Steuerung 1/4" NE kpl. (best. aus Pos 2 bis 9) 11 bis 50 und 52)	Needle cooling with control system 1/4" needle distance cpl. (cons. of pos. 2 up to 9, 11 up to 50 and 52)				
21	202704	6kt.-Mutter	Hexagonal nut	52	Z132742	Düse 1/4" NE	Nozzle 1/4" needle dist.				
22	713302	Holzschraube	Wood screw	<b>Z 132-933-41</b>							
23	Z126122k	Ventil kpl. (best. aus Pos. 2 bis 30 und 32)	Valve cpl. (cons. of pos. 2 up to 30 and 32)	53	Z132803	Nadelkühlung kpl. (best. aus Pos. 8 bis 50)	Needle cooling cpl. (cons. of pos. 8 up to 50)				
24	7449317	3/2-Wege-Ventil	3/2-Directional control valve	<b>Z 132-933-42</b>							
25	Z126145	Lagerbock	Pillow block	54	Z132853	Nadelkühlung kpl. (best. aus Pos. 8, 9, 11 bis 50 und 52)	Needle cooling cpl. (cons. of pos. 8, 9, 11 up to 50 and 52)				
26	10019141	Schraube	Screw								
27	Z126148	Hebel	Lever								
28	Z126141	Bef.-Blech	Mounting plate								
29	MG45/90	Zyl.-Schraube	Cyl. head screw								
30	NBO/1720	Bügel	Bow								
31	223700	Anschlagschraube	Stop screw								
32	Z126151	Trittstange kpl. (best. aus Pos. 33 bis 38)	Rods cpl. (cons. of pos. 33 up to 38)								





Pos. Det.	Teile Nr. Part No.	Benennung	Denomination
		<b>Z 132-243-10 E, -243-10 Q, -243-10 G und Z 132-244-10 E, -244-10 Q, -244-10 K, -244-10 G</b>	
		<b>Z 132-243-10 E</b>	
1	Z1321001	Nadelkühlung mit Schaltgestänge kpl. (best. aus Pos. 2 bis 42)	Needle Cooling with control rods cpl. (cons. of pos. 2 up to 42)
2	Z1201003	Kopfdeckel	Face plate
3	Z1201004	Halteblech	Retaining plate
4	223676	Zyl.-Schraube	Cyl. head screw
5	7461152	Senkschraube	Countersunk screw
6	74640118a	Abstandshülse	Distance sleeve
7	Z1321049	Winkel	Angle
8	202704	6kt.-Mutter	Hexagonal nut
9	23810073	L-Verschr.	L-coupling screw
10	Z11647	Drosselventil	Throttle valve
11	7422244	Schl.-Verschr.	Hose coupling screw
12	Z1321058	Rohr	Tube
13	10019128	Zyl.-Schraube	Cyl. head screw
14	Z100153	Gestänge mit Zugventil, kpl., für EFKA, (best. aus Pos. 15 bis 30)	Rods cpl. with pull-valve cpl. for EFKA, (cons. of pos. 15 up to 30)
15	7978	3/2-Wege-Nockenventil	3/2-Direct. control valve
16	Z100156	Lagerstück	Liner
17	Z100159	Platte	Plate
18	216120	Zyl.-Schraube	Cyl. head screw
19	Z100157	Bolzen	Bolt
20	Z100162	Stellhülse	Sleeve
21	TG42/73	6kt.-Mutter	Hexagonal nut
22	74423884	Senkschraube	Countersunk screw
23	MG 43/408	6kt.-Mutter	Hexagonal nut
24	5562267	Kugelgelenk	Ball-and-socket joint
25	9441413	Gewindebolzen	Threaded bolt
26	MG 43/403	Klemmstück	Clamping piece
27	MG 43/404	6kt.-Schraube	Hexagonal screw
28	MG 44/342	Stange	Rod
29	MG 43/425	Hülse	Sleeve
30	570939a	Senkschraube	Countersunk screw
31	7422238	Schl.-Verschr.	Hose coupling screw
32	74423566	Schl.-Verschr.	Hose coupling screw

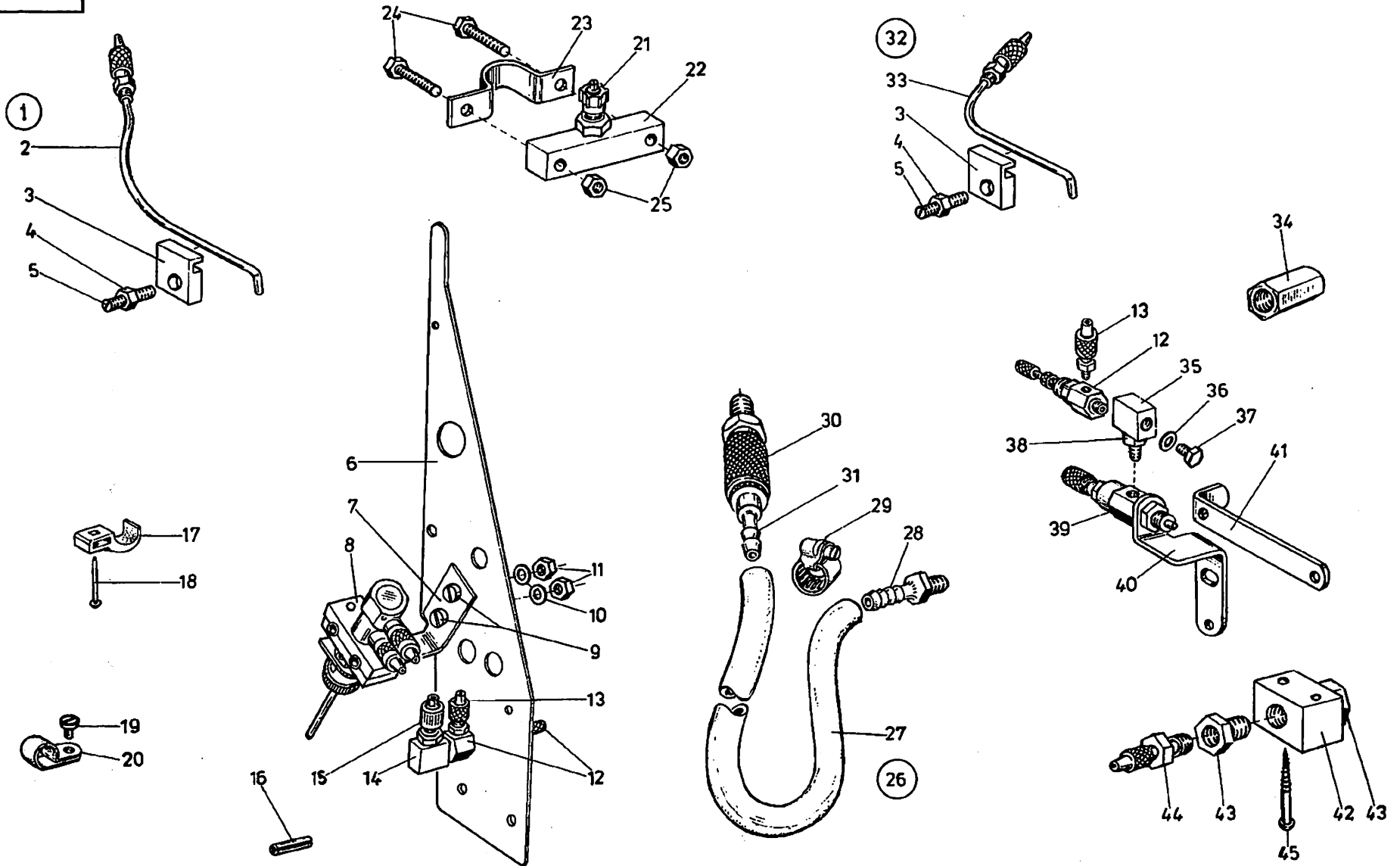
Pos. Det.	Teile Nr. Part No.	Benennung	Denomination
33	72171	Anschlußschlauch kpl. (best. aus Pos. 34 bis 38)	Coupling hose cpl. (cons. of pos. 34 up to 38)
34	Z11577	Anschl.-Schlauch	Coupling hose
35	Z11538	Schleuchtülle	Hose nozzle
36	7422096	Schlauchklemme	Hose clip
37	7441793a	Schl.-Kupplung	Hose coupling
38	7449513	Schlauchtülle	Hose nozzle
39	Z11655	Aufnahmestück	Receiver
40	Z11661	Reduzierstück	Reducer
41	560771	Holzschraube	Wood screw
42	7442528	Muffe	Bushing
		<b>Z 132-243-10 Q</b>	
43	Z1321002	Nadelkühlung mit Schaltgestänge kpl. (best. aus Pos. 2 bis 13, 31 bis 42 und 44)	Needle cooling with controls rods cpl. (cons. of pos. 2 up to 13, 31 up to 42 and 44)
44	Z100303	Gestänge mit Zugventil (best. aus Pos. 15 bis 24, 26, 27 und 45)	Rods with pull-valve (cons. of pos. 15 up to 24, 26, 27 and 45)
45	Z126152	Stange	Rod
		<b>Z 132-243-10 G</b>	
46	Z1321008	Nadelkühlung mit Schaltgestänge kpl. (best. aus Pos. 2 bis 13, 31 bis 42 und 47)	Needle cooling with control rods cpl. (cons. of pos. 2 up to 13, 31 up to 42 and 47)
47	Z100253	Gestänge mit Zugventil kpl. (best. aus Pos. 15 bis 23, 25 bis 27, 48 bis 51)	Rods with pull valve cpl. (cons. of pos. 15 to 23, 25 up to 27, 48 up to 51)
48	Z100259	Lasche	Shackle
49	557263	Scheibe	Washer
50	5701220	Kugelbolzen	Spherical gudgeon
51	211616	Kugelpfanne	Cup
		<b>Z 132-244-10 E</b>	
52	Z1321101	Nadelkühlung mit Schaltgestänge kpl. (best. aus Pos. 9 bis 11, 14, 31 bis 42, 53 bis 61)	Needle cooling with control rods cpl. (cons. of pos. 9 up to 11, 14, 31 up to 42, 53 up to 61)

Pos. Det.	Teile Nr. Part No.	Benennung	Denomination
53	Z1321114	Düse für 2,5 mm NA*	Nozzle for 2,5 mm needle distance *
53	Z1321116	Düse für 6 mm NA*	Nozzle for 6 mm needle distance *
53	Z1321117	Düse für 8 mm NA*	Nozzle for 8 mm needle distance *
54	Z1321009	Blattfeder	Leaf spring
55	10019123	Gewindestift	Threaded stud
56	Z1321004	Kloben	Block
57	933587	Tellerfeder	Cup spring
58	211100a	Sicher.-Scheibe	Safety washer
59	7395024	Senkschraube	Countersunk screw
60	Z1321006	Blattfeder	Leaf spring
61	739297	Zyl.-Schraube	Cyl. head screw
		<b>Z 132-244-10 Q</b>	
62	Z1321102	Nadelkühlung mit Schaltgestänge kpl. (best. aus Pos. 9 bis 11, 31 bis 42, 44, 53 bis 61)	Needle cooling with control rods cpl. (cons. of pos. 9 up to 11, 31 up to 42, 44, 53 up to 61)
		<b>Z 132-244-10 K</b>	
63	Z1321103	Nadelkühlung mit Schaltgestänge kpl. (best. aus Pos. 9 bis 11, 31 bis 42, 5 bis 61, 64)	Needle cooling with control rods cpl. (cons. of pos. 9 up to 11, 31 up to 42, 53 up to 61, 64)
64	Z100273	Gestänge mit Zugventil kpl. (best. aus Pos. 15 bis 23, 26, 27, 49, 50, 51, 65)	Rods cpl. with pull-valve (cons. of pos. 15 up to 23, 26, 27, 49, 50, 51, 65)
65	718254	Stange	Rod
		<b>Z 132-244-1</b>	
66	Z1321108	Nadelkühlung mit Schaltgestänge kpl. (best. aus Pos. 9 bis 11, 31 bis 42, 47, 53 bis 61)	Needle cooling with control rods cpl. (cons. of pos. 9 up to 11, 31 up to 42, 47, 53 up to 61)

\* je nach Wunsch

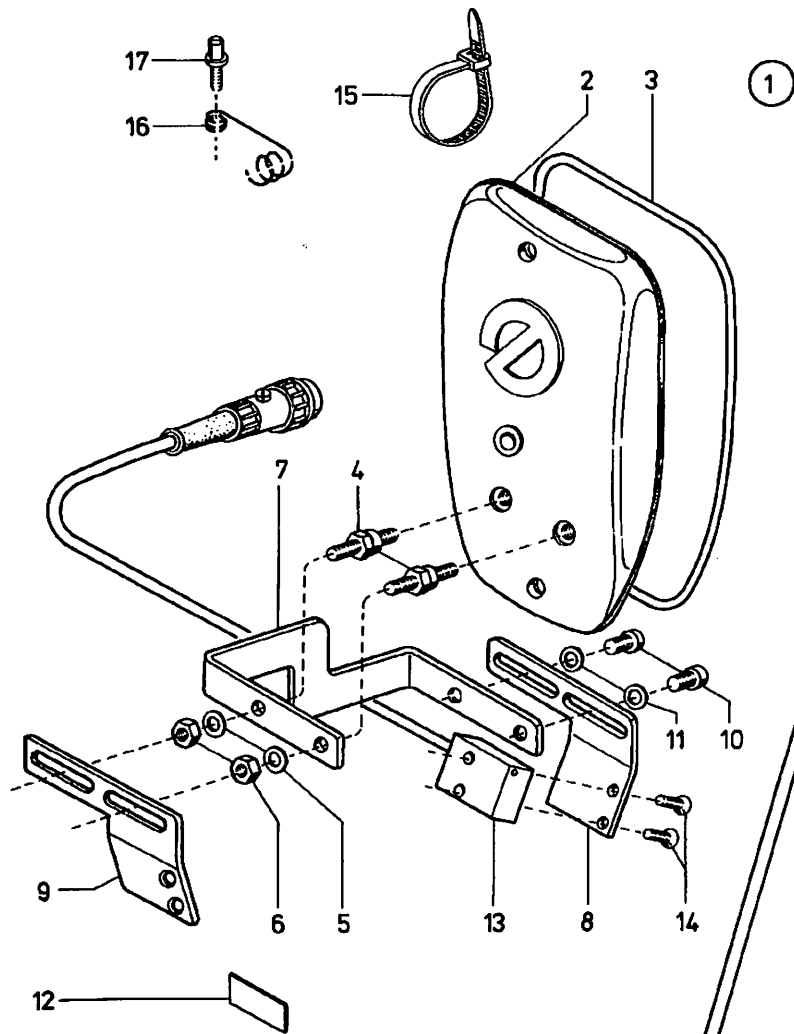
\* as desired



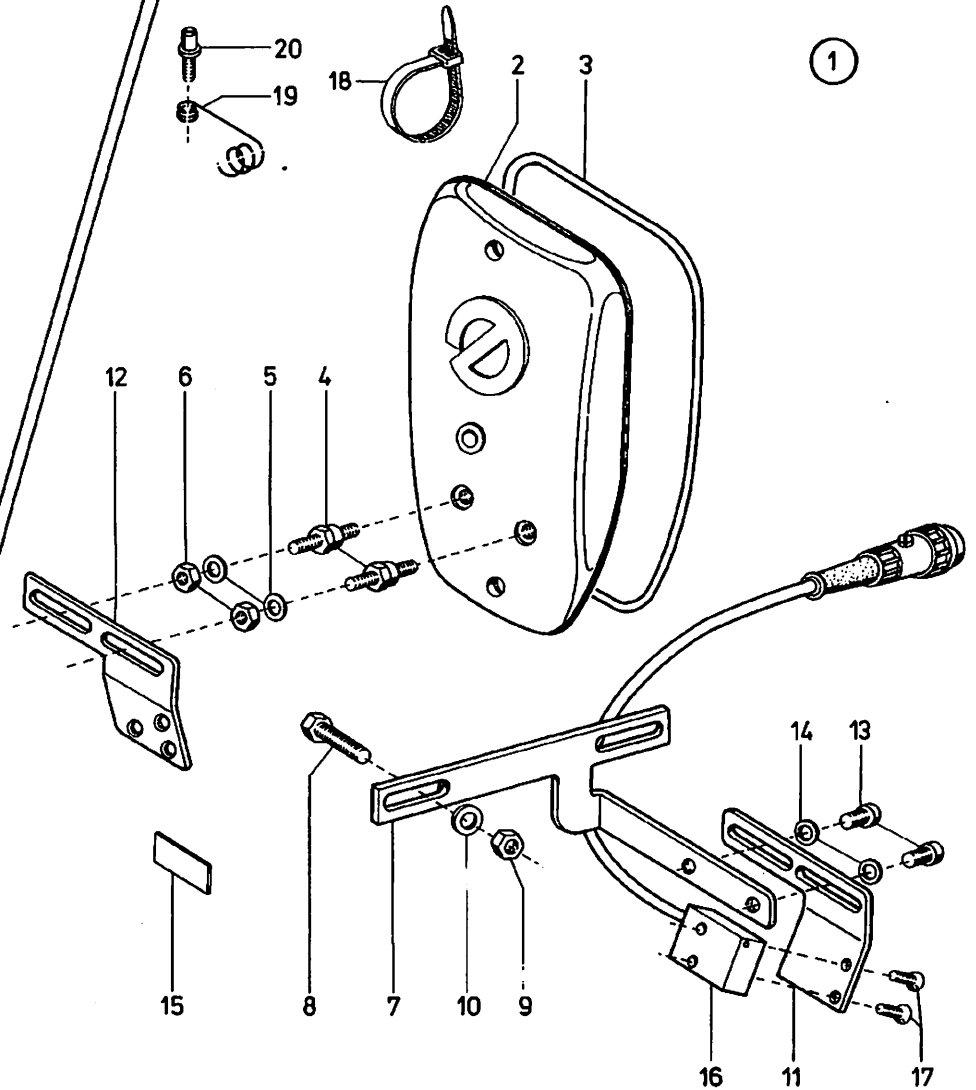


Pos. Det.	Teile Nr. Part No.	Benennung	Denomination	Pos. Det.	Teile Nr. Part No.	Benennung	Denomination	Pos. Det.	Teile Nr. Part No.	Benennung	Denomination
<b>Z 132-556, -570</b>				<b>Z 132-570</b>							
1	Z1321201	Nadelkühlung kpl. (best. aus Pos. 2 bis 31)	Needle cooling cpl. (cons. of pos. 2 up to 31)	32	Z132901	Nadalkühlung von oben kpl. (best. aus Pos. 3, 4, 5, 12, 13, 26 bis 31, 33 bis 45)	Needle cooling over- hand cpl. (cons. of pos. 3, 4, 5, 12, 13, 26 up to 31, 33 up to 45)				
2	Z1321224	Blasrohr	Blow pipe	33	Z132902	Blasrohr	Blow pipe				
3	Z132906	Klemmstück	Clamp	34	7442628	Muffe	Bushing				
4	216660	6kt.-Mutter	Hexagonal nut	35	7449183	T-Stück	T-piece				
5	21668	Gewindestift	Threaded stud	36	5701848	Dichtring	Gasket ring				
6	Z1321203	Deckblech	Cover plate	37	5701847	Blindstopfen	Blind plug				
7	Z1321205	Winkel	Angle	38	Z11650	Doppelnippel	Double nipple				
8	797108	Handhebelventil	Hand lever valve	39	5701844	Sitzventil	Seat valve				
9	739255	Zyl.-Schraube	Cyl. head screw	40	5701852	Winkel	Angle				
10	5691895	Scheibe	Washer	41	5701851	Lasche	Shackle				
11	202704	6kt.-Mutter	Hexagonal nut	42	Z11655	Aufnahmestück	Reclver				
12	Z11847	Druckregelventil	Pressure regulator	43	Z11661	Reduzierstück	Reducer				
13	7422244	Schlauchverschraubung	Hose coupling screw	44	7422238	Schl.-Verschr.	Hose coupling screw				
14	93374261	Muffe	Bushing	45	560771	Holzschraube	Wood screw				
15	7221139	Schl.-Verschr.	Hose coupling screw								
16	Z1321209	Spannhülse	Clamping sleeve								
17	7442168	Nagelschelle	Nail clip								
18	7442094	Stahlnadel	Steel needle								
19	94210318	Zyl.-Schraube	Cyl. head screw								
20	2231296	Schelle	Clip								
21	74423566	Schl.-Verschr.	Hose coupling screw								
22	5567292	Bef.-Stück	Fastening piece								
23	7441798	Schelle	Clip								
24	5581304	6kt.-Schraube	Hexagonal screw								
25	MG 43/408	6kt.-Mutter	Hexagonal nut								
26	72171	Anschlußschlauch kpl. (best. aus Pos. 27 bis 31)	Coupling hose cpl. (cons. of pos. 27 up to 31)								
27	Z11677	Anschl.-Schlauch	Coupling hose								
28	Z11638	Schlauchtülle	Hose nozzle								
29	7422096	Schlauchklemme	Hose clip								
30	7441793a	Schl.-Kupplung	Hose coupling								
31	7449513	Schlauchtülle	Hose nozzle								

Z133 Tafel 53



Kl. Z133 Tafel 54



Z 133

## Tafel 53

Pos. Det.	Teile Nr. Part No.	Benennung	Denomination
<b>Z 133-1-211</b>			
1	Z133191	Anbausatz kpl. (best. aus Pos. 2 bis 17)	Add-on unit cpl. (cons. of pos. 2 up to 17)
2	2113011	Kopfdeckel (mit Pos. 3)	Face plate (with pos. 3)
3	216471	Rundschnurring	Round cord ring
4	2113093	Ansatzbolzen	Shoulder bolt
5	024275	Scheibe	Washer
6	MG8/7d	6kt.-Mutter	Hexagonal nut
7	21155408	Winkel	Square
8	Z133199	Winkel	Angle
9	Z133200	Winkel	Angle
10	265565	Zyl.-Schraube	Cyl. head screw
11	024275	Scheibe	Washer
12	24415012	Reflexfolie	Reflex foil
13	Z133103	Lichtschranke	Light barrier
14	902707	Senkschraube	Countersunk screw
15	7441978	Kabelblinder	Cable band
16	7991612	Kabelhalter	Cable holder
17	App. 528	Schraube	Screw

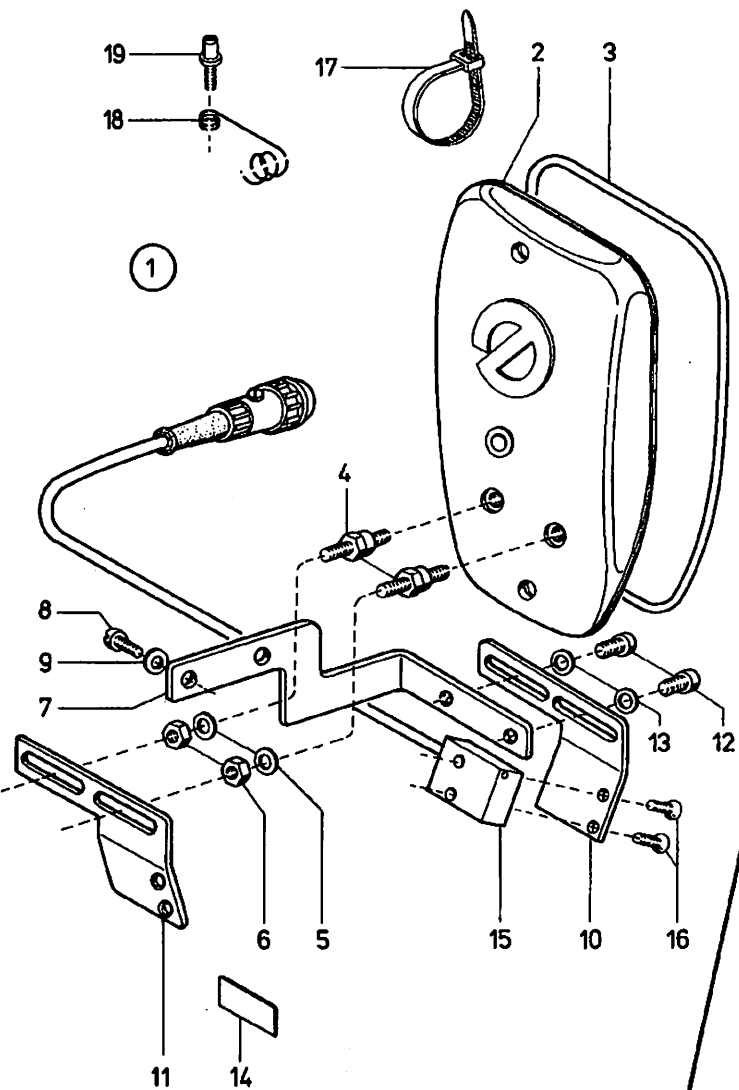
Z133

## Tafel 54

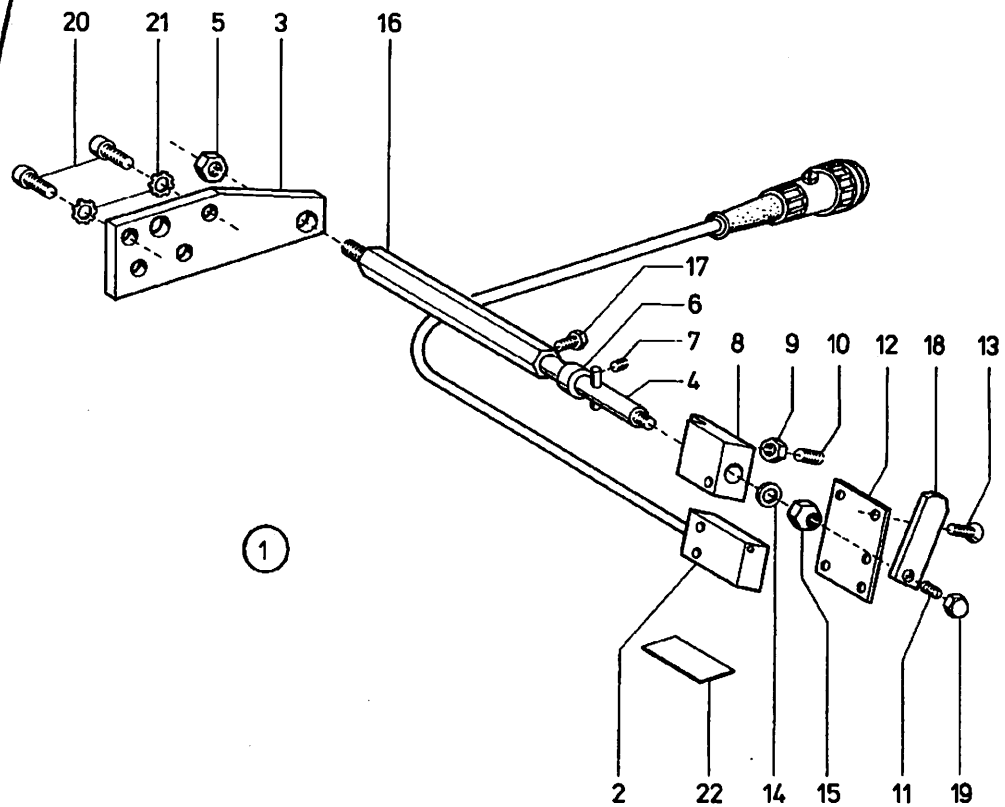
Pos. Det.	Teile Nr. Part No.	Benennung	Denomination
<b>Z 133-1-212</b>			
1	Z133231	Anbausatz kpl. (best. aus Pos. 2 bis 20)	Add-on unit cpl. (cons. of pos. 2 up to 20)
2	2123011	Kopfdeckel (mit Pos. 3)	Face plate (with pos. 3)
3	216471	Rundschnurring	Round cord ring
4	2113093	Ansatzbolzen	Shoulder bolt
5	024275	Scheibe	Washer
6	MG8/7d	6kt.-Mutter	Hexagonal nut
7	Z133238	Winkel	Square elbow
8	911679a	6kt.-Schraube	Hexagonal screw
9	MG8/7d	6kt.-Mutter	Hexagonal nut
10	024275	Scheibe	Washer
11	Z133242	Winkel	Angle
12	21256838a	Winkel	Angle
13	265565	Zyl.-Schraube	Cyl. head screw
14	024275	Scheibe	Washer
15	24415012	Reflexfolie	Reflex foil
16	Z133103	Lichtschranke	Light barrier
17	902707	Senkschraube	Countersunk screw
18	7441978	Kabelblinder	Cable band
19	7991612	Kabelhalter	Cable holder
20	App. 528	Schraube	Screw

Pos. Det.	Teile Nr. Part No.	Benennung	Denomination
-----------	--------------------	-----------	--------------

Z133 Tafel 55



Kl. Z133 Tafel 56



Z 133

## Tafel 55

Pos. Det.	Teile Nr. Part No.	Benennung	Denomination
<b>Z 133-1-219</b>			
1	Z133271	Anbausatz kpl. (best. aus Pos. 2 bis 19)	Add-on unit cpl. (cons. of pos. 2 up to 19)
2	2123011	Kopfdeckel (mit Pos. 3)	Face plate (with pos. 3)
3	216471	Rundschnurring	Round cord ring
4	2113093	Ansatzbolzen	Shoulder bolt
5	024275	Scheibe	Washer
6	MG8/7d	6kt.-Mutter	Hexagonal nut
7	21956308	Winkel	Angle
8	5562068	Zyl.-Schraube	Cyl. head screw
9	557263	Scheibe	Washer
10	Z133242	Winkel	Angle
11	21256838a	Winkel	Angle
12	265565	Zyl.-Schraube	Cyl. head screw
13	024275	Scheibe	Washer
14	24415012	Reflexfolie	Reflex foil
15	Z133103	Lichtschranke	Light barrier
16	902707	Senkschraube	Countersunk screw
17	7441978	Kabelinder	Cable band
18	7991612	Kabelhalter	Cable holder
19	App. 528	Schraube	Screw

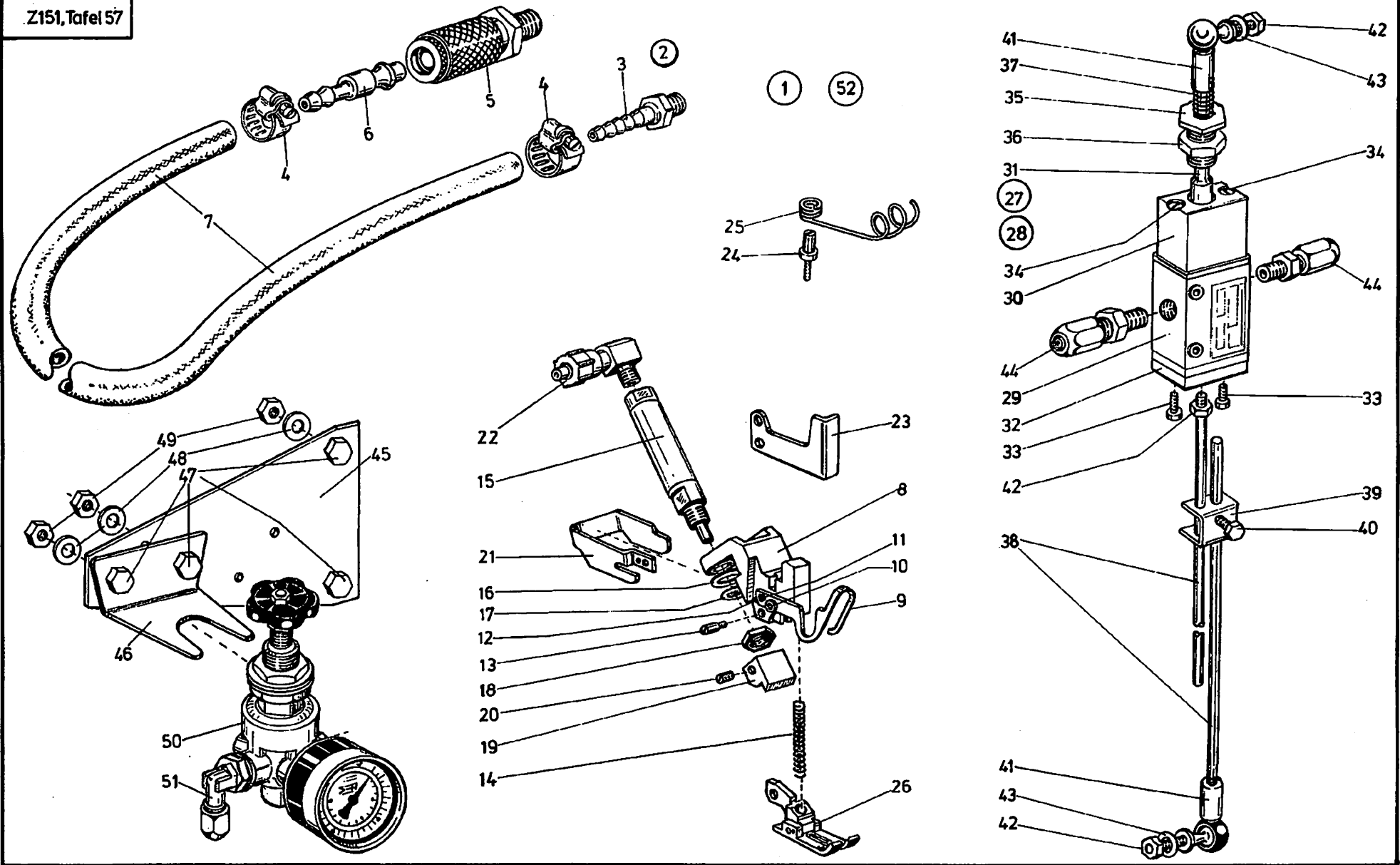
Z 133

## Tafel 56

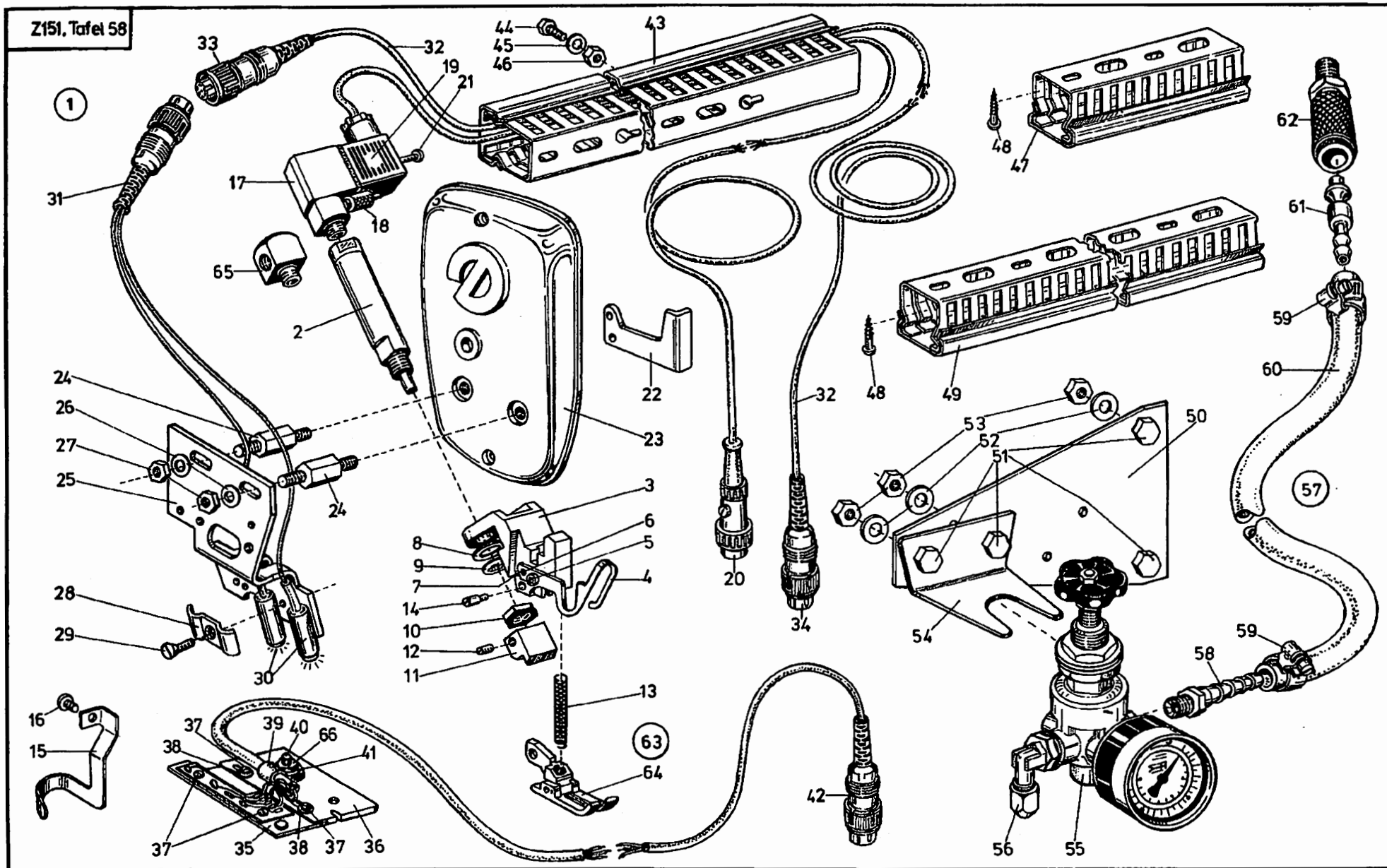
Pos. Det.	Teile Nr. Part No.	Benennung	Denomination
<b>Z 133-6-219</b>			
1	Z133101	Lichtschranke kpl. (best. aus Pos. 2 bis 22)	Light barrier cpl. (cons. of pos. 2 up to 22)
2	Z133103	Lichtschranke	Light barrier
3	93917416	Lasche	Shackle
4	93917417a	Stange	Rod
5	72042a	6kt.-Mutter	Hexagonal nut
6	93917435a	Stellring kpl. (mit Pos. 7)	Set collar cpl. (with pos. 7)
7	531464	Gewindestift	Threaded stud
8	93917421	Kloben	Block
9	5511824	6kt.-Mutter	Hexagonal nut
10	702117	Gewindestift	Threaded stud
11	2235047	Gewindestift	Threaded stud
12	93917425	Lasche	Shackle
13	902707	Senkschraube	Countersunk screw
14	55890	Schalbe	Washer
15	93917428	Kegelmutter	Conical nut
16	93917412	Bolzen	Bolt
17	5561313a	6kt.-Schraube	Hexagonal screw
18	93917429	Hebel	Lever
19	7395012	Hutmutter	Dome nut
20	246984	Zyl.-Schraube	Cyl. head screw
21	211609	Zahnscheibe	Tooth lock washer
22	7461699a	Reflexfolie	Reflex foil

Pos. Det.	Teile Nr. Part No.	Benennung	Denomination
-----------	--------------------	-----------	--------------





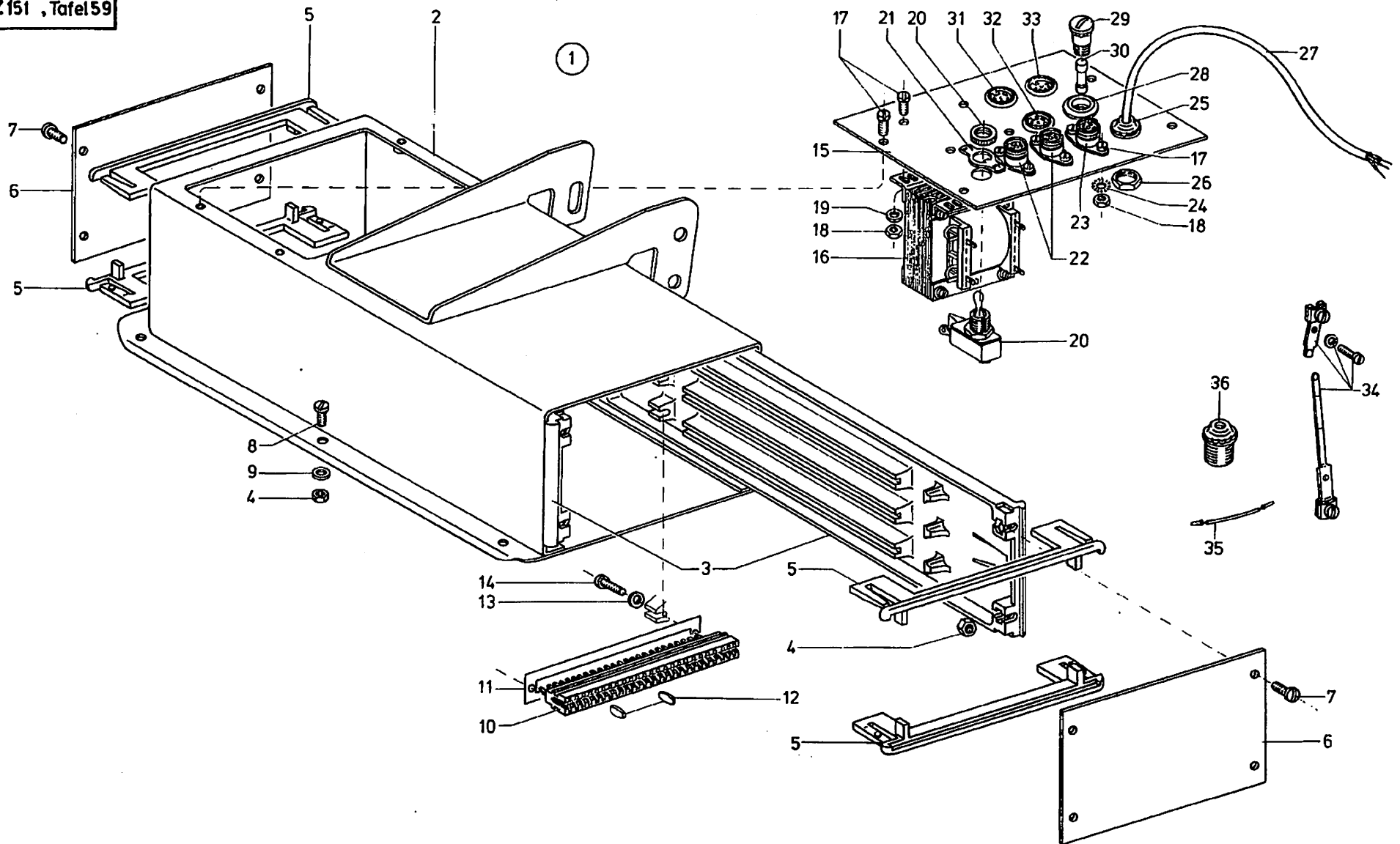
Pos. Det.	Teile Nr. Part No.	Benennung	Denomination	Pos. Det.	Teile Nr. Part No.	Benennung	Denomination	Pos. Det.	Teile Nr. Part No.	Benennung	Denomination
<b>Z 151-101, -102</b>											
<b>Z 151-101</b>											
1	Z151471	Abhacker kpl. (best. aus Pos. 2, 8 bis 25, 27, 45 bis 51)	Chop-off device cpl. (cons. of pos. 2, 8 up to 25, 27, 45 up to 51)	34	74423864	Senkschraube	Countersunk screw				
2	72171	Anschl.-Schlauch (mit Pos. 3 bis 7)	Coupling hose (with pos. 3 up to 7)	35	Z100162	Stellhülse	Adjusting sleeve				
3	Z11538	Schlauchdüse	Hose nozzle	36	TG42/73	Mutter	Nut				
4	7422096	Schlauchklemme	Hose clip	37	246320	Druckfeder	Pressure spring				
5	7441793a	Kupplungsdose	Coupling socket	38	718254	Stange	Rod				
6	7449513	Tülle	Nozzle	39	MG43/403	Klemme	Binder				
7	Z11577	Schlauch	Hose	40	MG43/404	6kt.-Schraube	Hexagonal screw				
8	9339475	Halteklöben kpl. (mit Pos. 9 bis 12)	Mounting block cpl. (with pos. 9 up to 12)	41	5562267	Gelenk	Link				
9	9339444	Fingerschutz	Finger guard	42	MG43/408	6kt.-Mutter	Hexagonal nut				
10	9339478	Zyl.-Schraube	Cyl. head screw	43	557263	Scheibe	Washer				
11	Z1117	Spannhülse	Clamping sleeve	44	74423566	Schl.-Verschr.	Screwed connection				
12	Z11667	Spannhülse	Clamping sleeve	45	5701836	Bef.-Platte	Mounting plate				
13	2401265	Schraube	screw	46	72153	Bef.-Winkel	Fastening square				
14	9339445	Druckfeder	Pressure spring	47	MG43/36	6kt.-Schraube	Hexagonal screw				
15	Z151111	Zylinder	Cylinder cpl.	48	72043	Scheibe	Washer				
16	5551085	Scheibe	Washer	49	72042a	6kt.-Mutter	Hexagonal nut				
17	Z151110	Zahnscheibe	Tooth lock washer	50	7427274	Reduzierventil	Reducing valve				
18	Z151109	Mutter	Nut	51	74423556	Winkelverschr.	Square coupling screw				
19	Z151492	Abhacker (mit Pos. 20)	Chop-off device (with pos. 20)	<b>Z 151-102</b>							
20	147203	Gewindestift	Threaded stud	52	Z151541	Abhacker kpl. (best. aus Pos. 2, 8 bis 20, 26, 27, 45 bis 51)	Chop-off device cpl. (cons. of pos 2, 8 up to 20, 26, 27, 45 up to 51)				
21	Z1511605	Fingerschutz	Finger guard	26	Z151544	Hebelfuß-Untert.	Lever foot-unterpart.				
22	74423656	Winkelverschr.	Square coupling screw								
23	9336643	Halteblech	Holding plate								
24	App. 528	Schraube	Screw								
25	7991812	Kabelhalter	Cable clamp								
27	Z100341	Pneum. Schalter kpl. (best. aus Pos. 28 und 37 bis 44)	Pneumatic switch cpl. (cons. of pos. 28 and 37 up to 44)								
28	Z100344	Ventil kpl. (mit Pos. 29 bis 36)	Valve cpl. (with pos. 29 to 36)								
29	7978	3/2-Wege-Ventil	3/2-Directional control valve								
30	Z100156	Lagerstück	Block piece								
31	Z100157	Bolzen	Bolt								
32	Z100159	Platte	Plate								
33	Z16120	Zyl.-Schraube	Cyl. head screw								



Pos. Det.	Teile Nr. Part No.	Benennung	Denomination	Pos. Det.	Teile Nr. Part No.	Benennung	Denomination	Pos. Det.	Teile Nr. Part No.	Benennung	Denomination
		<b>Z 151-111, -1122</b>									
		<b>Z 151-151</b>									
1	Z 151151	Abhacker kpl. (best. aus Pos. 2 bis 62 und 66) Hinzu Tafeln 59 und 60	Chop-off device cpl. (cons of pos. 2 up to 62 and 66) Table 59 and 60 additionally	33	Z 151830	Kupplung	Coupling				
2	Z 151111	Zylinder	Cylinder	34	Z 151357	Stecker	Plug-type connector				
3	9339475	Haltekloben (mit Pos. 4 bis 7)	Retaining block (with pos. 4 up to 7)	35	Z 151160	Halteplatte (mit Pos. 36 bis 42)	Mounting plate (with pos. 36 up to 42)				
4	9339444	Fingerschutz	Finger guard	36	Z 151161	Abdeckplatte	Cover plate				
5	9339478	Zyl.-Schraube	Cyl. head screw	37	93320031	Schraube	Screw				
6	Z 1117	Spannhülse	Clamping sleeve	38	913629	Scheibe	Washer				
7	Z 11567	Spannhülse	Clamping sleeve	39	94210318	Befest.-Schelle	Fastening clip				
8	5551085	Scheibe	Washer	40	7395347	Senkschraube	Countersunk screw				
9	Z 151110	Zahnscheibe	Tooth lock washer	41	5691895	Scheibe	Washer				
10	Z 151109	Mutter	Nut	42	Z 151340	Stecker	Plug-type connector				
11	Z 151492	Abhacker (mit Pos. 12)	Chop-off device (with pos. 12)	43	Z 151371	Kabelkanal	Cable channel				
12	147203	Gewindestift	Threaded stud	44	Z 16120	6kt.-Schraube	Hexagonal screw				
13	9339445	Druckfeder	Pressure spring	45	55890	Scheibe	Washer				
14	2401265	Schraube	Screw	46	202704	6kt.-Mutter	Hexagonal nut				
15	Z 151114	Fingerschutz	Finger guard	47	Z 151375	Kabelkanal	Cable channel				
16	223723	Linsenschraube	Fillister head screw	48	713302	Holzschraube	Wood screw				
17	Z 151135	Magnetventil (mit Pos. 18)	Solenoid valve (with pos. 18)	49	798607	Kabelkanal	Cable channel				
18	7221139	Schnellverschr.	Quick coupling screw	50	5701836	Bef.-Platte	Fastening plate				
19	Z 151131	Leitung (mit Pos. 20)	Cable (with pos. 20)	51	MG43/36	6kt.-Schraube	Hexagonal screw				
20	93320350	Stecker	Contact plug	52	72043	Scheibe	Washer				
21	739404	Zyl.-Schraube	Cyl. head screw	53	72042a	6kt.-Mutter	Hexagonal nut				
22	9335643	Halteblech	Holder plate	54	72153	Bef.-Winkel	Fastening square				
23	2123012	Kopfdeckel	Face plate	55	7427274	Reduzierventil	Reducing valve				
24	Z 151848a	Bolzen	Bolt	56	74423556	Winkelverschr.	Square coupling screw				
25	Z 151844	Lichtschr.-Halter	Light barrier support	57	72171	Anschlußschlauch (mit Pos. 58 bis 62)	Coupling hose (with pos. 58 up to 62)				
26	024275	Scheibe	Washer	58	Z 11538	Schlauchtülle	Sleeve				
27	237202	6kt.-Mutter	Hexagonal nut	59	7422096	Schlauchklemme	Hose clip				
28	Z 151846	Halteblech	Holder plate	60	Z 11577	Schlauch	Hose				
29	9312131	Senkschraube	Countersunk screw	61	7449513	Tülle	Sleeve				
30	Z 151831a	Lichtschr.-Sender (mit Pos. 31)	Light barrier sender (with pos. 31)	62	7441793a	Kupplungsdose	Coupling socket				
31	Z 151340	Stecker	Contact plug	66	202704	Mutter	Nut				
32	Z 151827	Leitung (mit Pos. 33 und 34)	Cable (with pos. 33 and 34)								
						<b>Z 151-112</b>					
				63	Z 151571	Abhacker kpl. (best. aus Pos. 2 bis 22, 24 bis 62 und Pos. 64, 65, 66) Hinzu Tafeln 59 u. 60	Chop-off device cpl. (cons. of pos. 2 up to 22, 24 up to 62 and pos. 64, 65, 66) Table 59 and 60 additionally				
				64	Z 151544	Fuß-Untert.	Foot-underpart				
				65	P12153	L-Winkelstück	L-square piece				



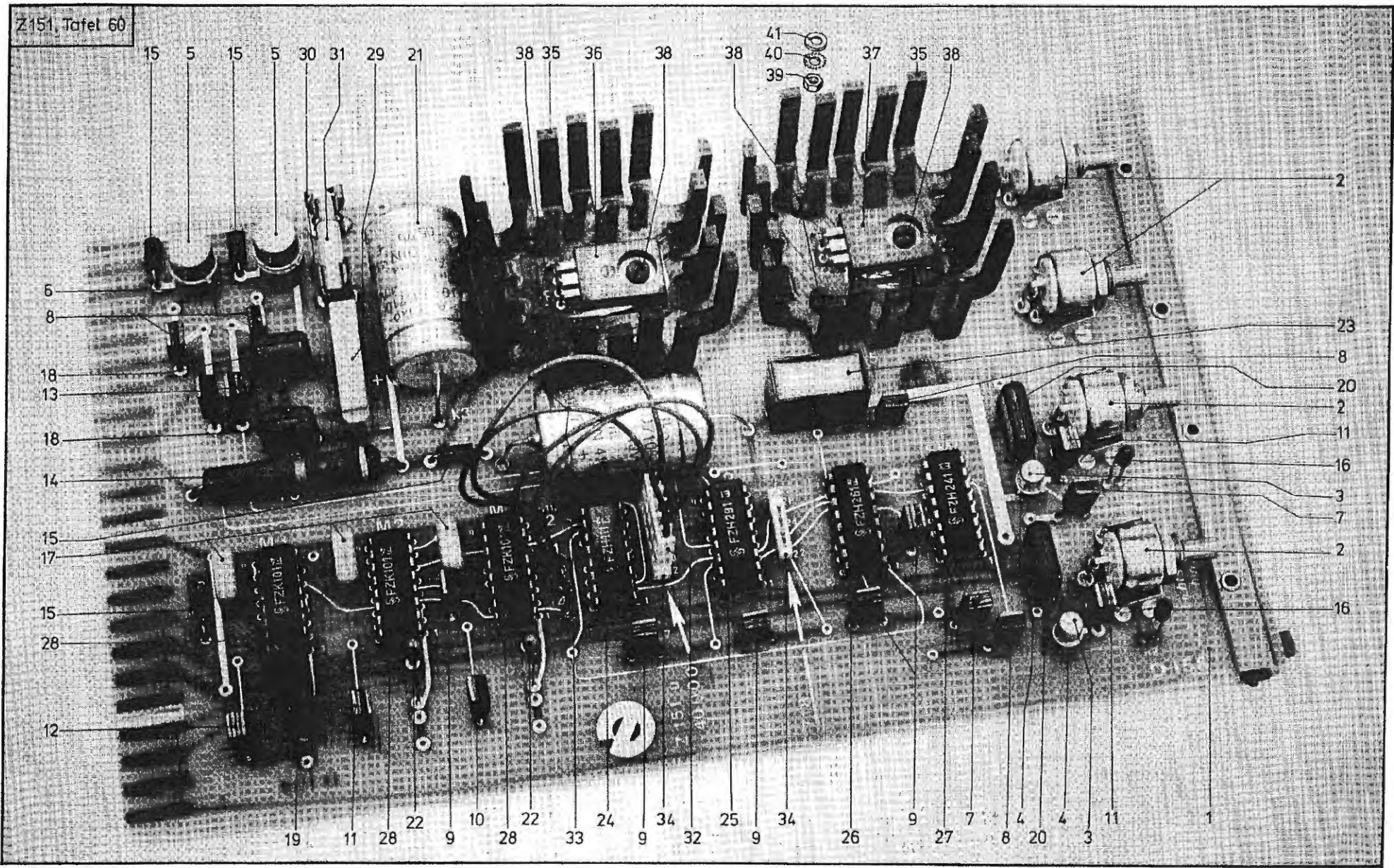
Z 151 ,Tafel 59



Pos. Det.	Teile Nr. Part No.	Benennung	Denomination	Pos. Det.	Teile Nr. Part No.	Benennung	Denomination	Pos. Det.	Teile Nr. Part No.	Benennung	Denomination
		<b>Steuerungsteile für folgende Unterklassen:</b> <b>Z 151-111, -112, -211, -311-933, -111-221, -111-933, -111-212</b>	<b>Control system parts for following sub-classes:</b> <b>Z 151-111, -112, -211, -311-933, -111-221, -111-933, -111-212</b>								
1	Z151201	Steuerung kpl. (best. aus Pos. 2, 10, 11, 12, 13, 14, 15, 34, 35, 36 und Pos. 1, Tafel 60)	Control system cpl. (cons. of pos. 2, 10, 11, 12, 13, 14, 15, 34, 35, 36 and Pos. 1 table 60)	29	5513329	Schraubkappe	Screw cap				
2	Z151203	Gehäuse (mit Pos. 3, 4, 5, 6, 7, 8 und 9)	Housing (with pos. 3, 4, 5, 6, 7, 8 and 9)	30	717355	Feinsicherung	Fin-wire fuse				
3	Z118198	Seitenteil	Side part	31	74424529	Einbausteckdose	Insert socket				
4	202704	6kt.-Mutter	Hexagonal nut	32	Z151243	Einbausteckdose	Insert socket				
5	Z118201	Endstück	End piece	33	Z151241	Einbausteckdose	Insert socket				
6	23810465	Deckel	Cover	34	7422598	Hilfsschalter	Auxiliary switch				
7	219353	Linsenschraube	Fillister head screw	35	Z13045	Leitung	Cable				
8	739255	Zyl.-Schraube	Cyl. head screw	36	2401129	Würganippel	Twist nipple				
9	70048	Scheibe	Washer								
10	23810476	Steckleiste	Reglet								
11	74423854	Bezeichnungsschild	Designation card								
12	74423856	Codiereinsatz	Encoder								
13	913629	Scheibe	Washer								
14	74423855	Zyl.-Schraube	Cyl. head screw								
15	Z151231	Montageblech kpl. (mit Pos. 16, 17, 18, 19, 20, 21, 22, 23, 24, 25, 26, 27, 28, 29, 30, 31, 32 und 33)	Mounting plate cpl. (with pos. 16, 17, 18, 19, 20, 21, 22, 23, 24, 25, 26, 27, 28, 29, 30, 31, 32 and 33)								
16	5513313	Transformator	Transformer								
17	739297	Zyl.-Schraube	Cyl. head screw								
18	5511824	6kt.-Mutter	Hexagonal nut								
19	1005233	Scheibe	Washer								
20	7443739	Kipp-Umschalter	Flip switch								
21	Z151255	Bezeichnungsschild	Designation card								
22	7422656	Flansch-St.-Dose	Flange socket								
23	7442198	Flansch-St.-Dose	Flange socket								
24	739298	Zahnscheibe	Tooth lock washer								
25	MG41/8472	Würganippel	Twist nipple								
26	MG41/8473	Gegenmutter	Counter nut								
27	Z151251	Leitung	Cable								
28	5513328	Sicherungshalter	Fuse carrier								



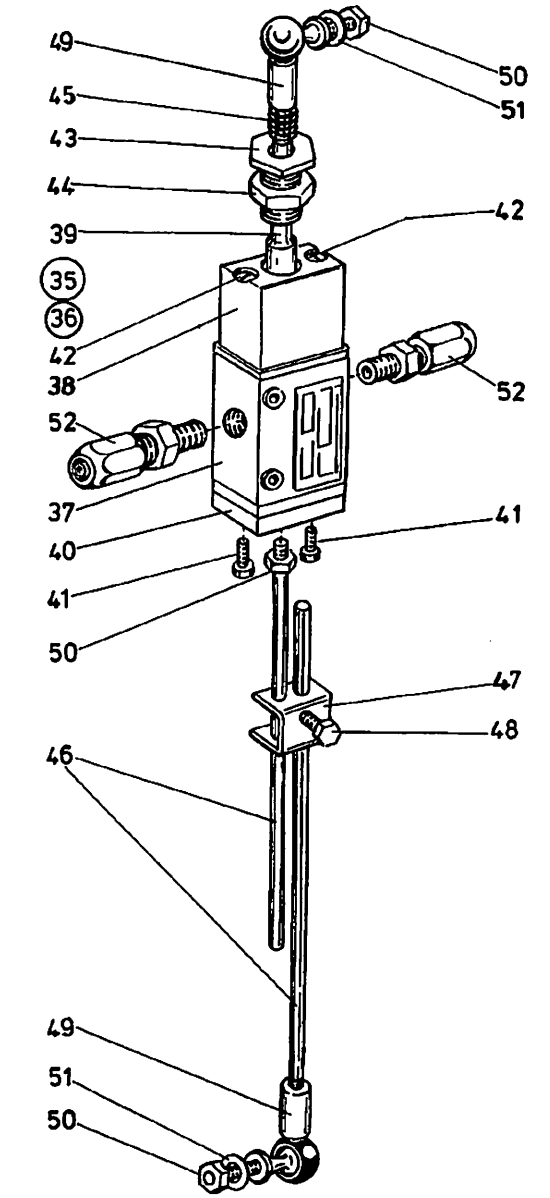
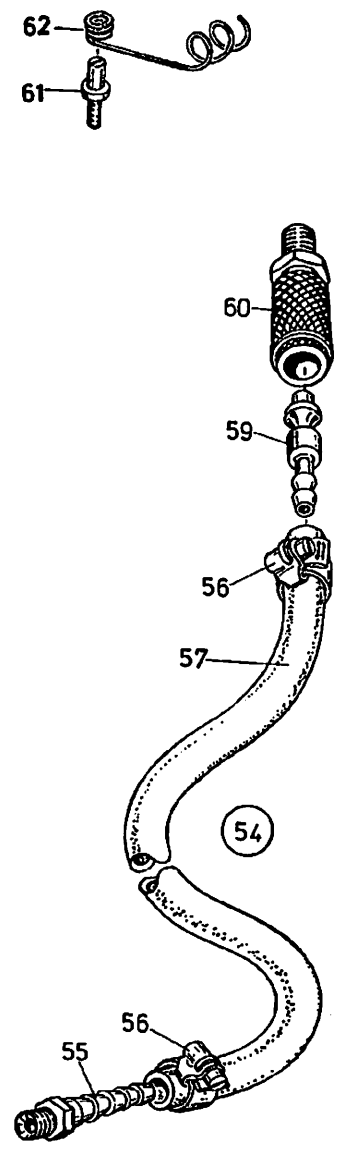
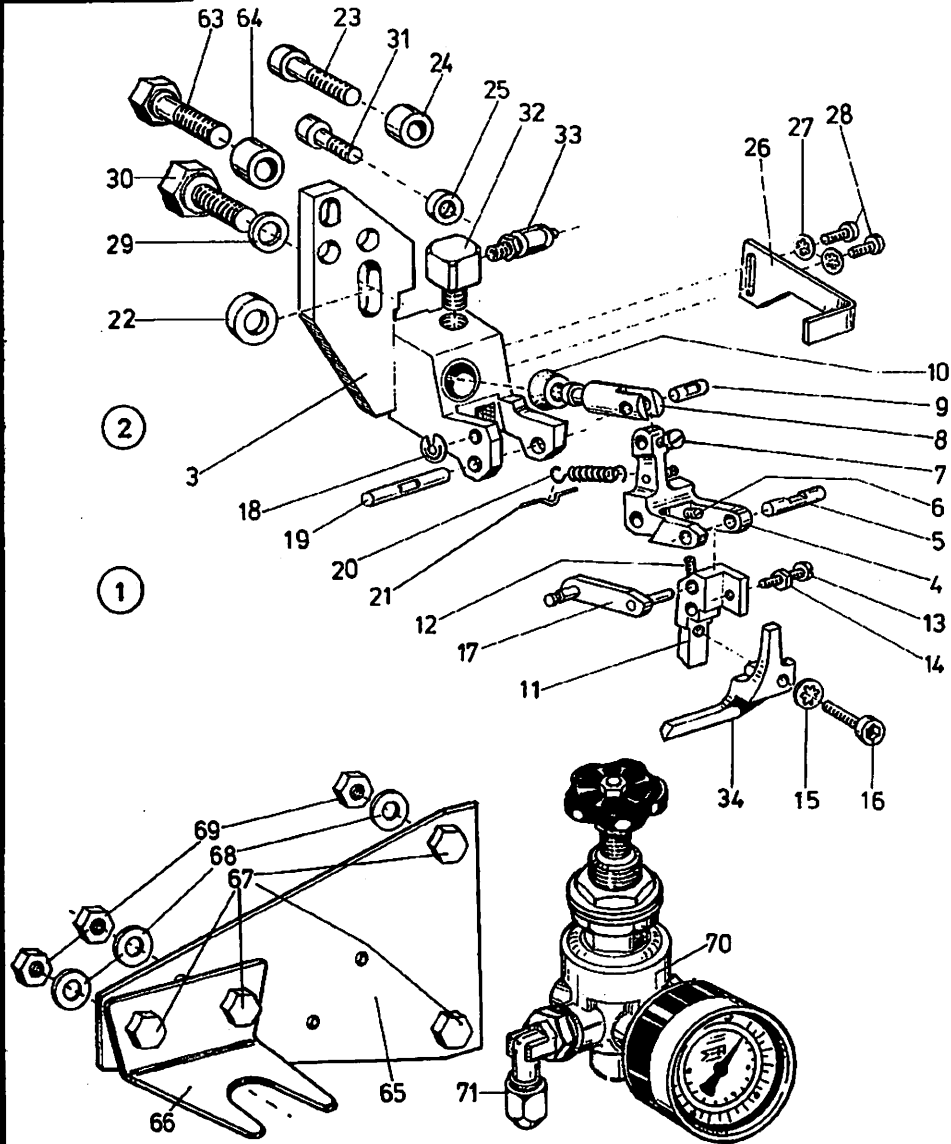
Z151, Tafel 60



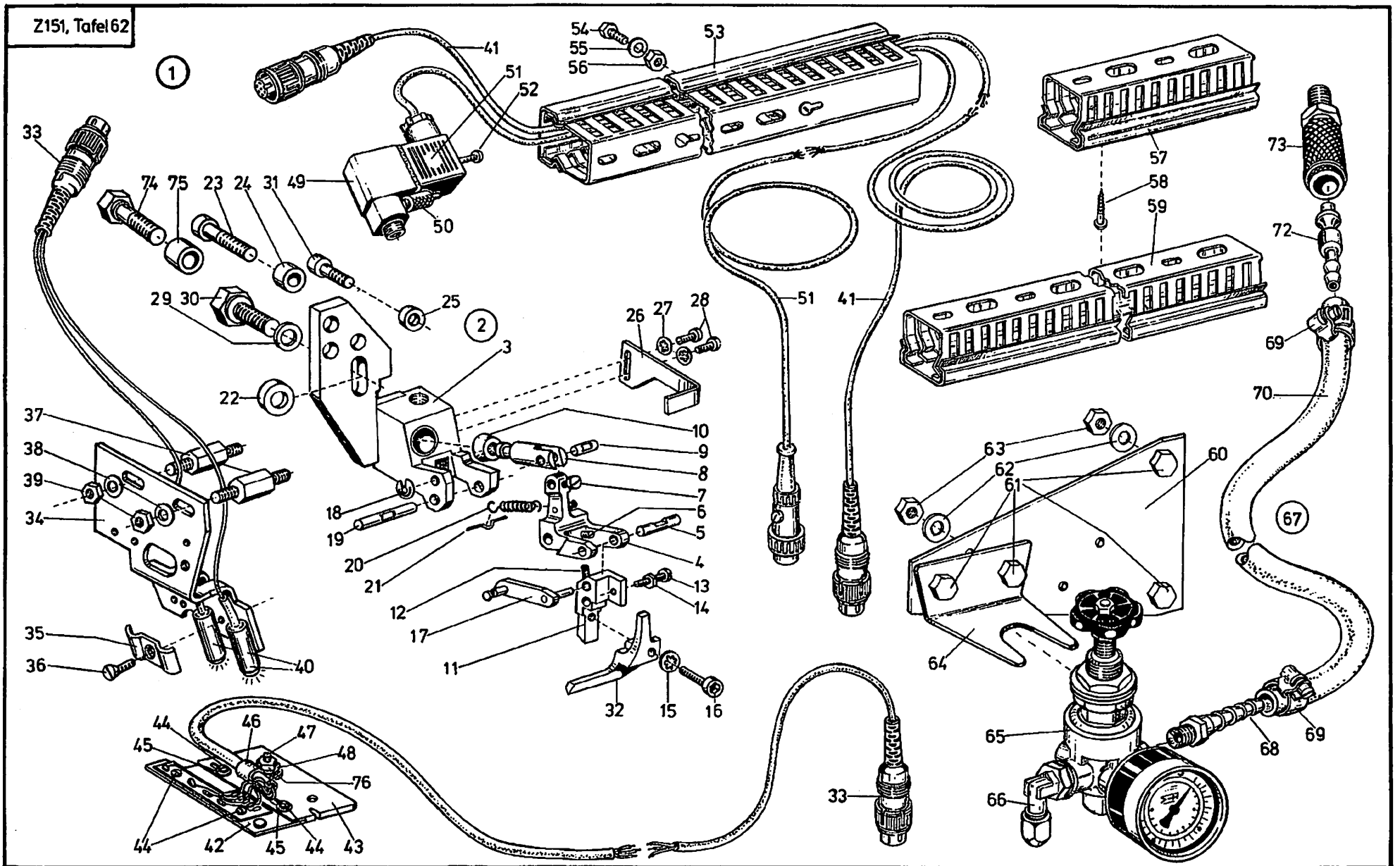


Pos. Det.	Teile Nr. Part No.	Benennung	Denomination	Pos. Det.	Teile Nr. Part No.	Benennung	Denomination	Pos. Det.	Teile Nr. Part No.	Benennung	Denomination
		Steuerungsteile für Z 151-111, -112, -211, -311-933, -111-221, -111-933, -111-212	Control system parts for Z 151-111, -112, -211, -311-933, -111-221, -111-933, -111-212	38	270263	Zyl.-Schraube	Cyl. head screw				
				39	5511824	6kt.-Mutter	Hexagonal nut				
				40	739298	Zahnschelbe	Tooth lock washer				
				41	5511802	Isolierscheibe *	Insulating disk *				
1	Z151901	Leiterplatte kpl. (mit Pos. 2 bis 41)	Printed circuit board cpl. (with pos. 2 up to 41)			* zwischen Leiterplatte und Kühlkörper	* between printed circuit board and cooler				
2	74424728	Potentiometer	Potentiometer								
3	74412497	Transistor	Transistor								
4	74413136	Transistorhalterung	Transistor support								
5	5513336	Transistor	Transistor								
6	5513337	Transistorhalterung	Transistor support								
7	74423977	Widerstand	Resistance								
8	74423973	Widerstand	Resistance								
9	74423975	Widerstand	Resistance								
10	74423979	Widerstand	Resistance								
11	74423980	Widerstand	Resistance								
12	7462641	Widerstand	Resistance								
13	74423974	Widerstand	Resistance								
14	74424309	Widerstand	Resistance								
15	739311	Diode	Diode								
16	Z151288	Leuchtdiode	Luminous Diode								
17	74423937	Kondensator	Capacitor								
18	74423939	Kondensator	Capacitor								
19	Z151294	Kondensator	Capacitor								
20	74423938	Kondensator	Capacitor								
21	Z151296	Kondensator	Capacitor								
22	7462623	Kondensator	Capacitor								
23	74412508	Kondensator	Capacitor								
24	74450489	integrierte Schaltung	Integrated circuit								
25	74450485	integrierte Schaltung	Integrated circuit								
26	74450491	integrierte Schaltung	Integrated circuit								
27	7462609	integrierte Schaltung	Integrated circuit								
28	7462607	integrierte Schaltung	Integrated circuit								
29	74450532	Gleichrichter	Rectifier								
30	Z151941	Haltefeder	Retaining spring								
31	MG41/9204	Feinsicherung	fin-wire fuse								
32	Z151952	Buchsengehäuse	Bush casing								
33	Z151954	Leitung	Cable								
34	Z151951	Stiftleiste	Reglet								
35	74450542	Kühlkörper	Cooler								
36	74450537	Spannungsregler	Tension regulator								
37	74450539	Spannungsregler	Tension regulator								

Z151, Tafel 61

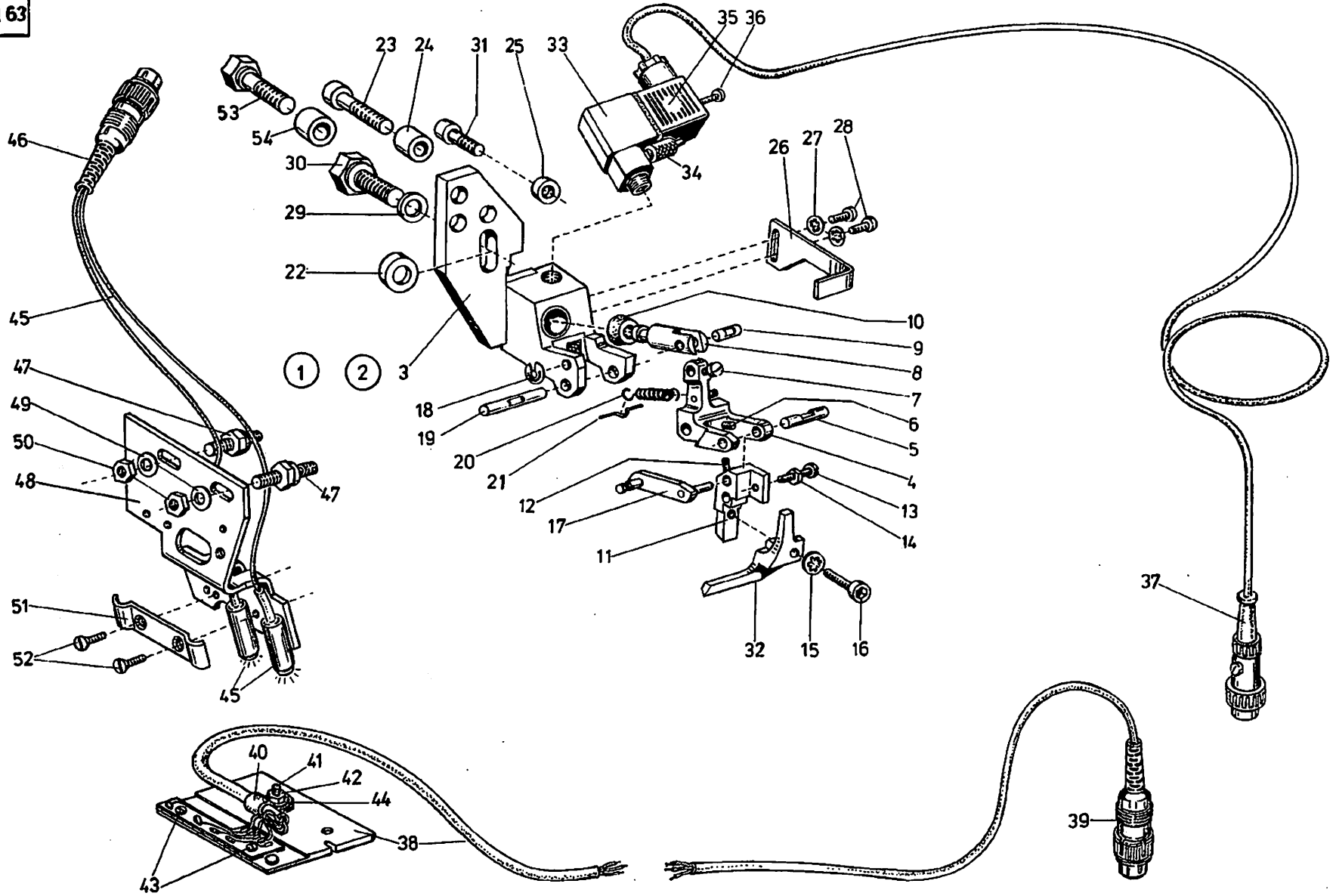


Pos. Det.	Teile Nr. Part No.	Benennung	Denomination	Pos. Det.	Teile Nr. Part No.	Benennung	Denomination	Pos. Det.	Teile Nr. Part No.	Benennung	Denomination
<b>Z 151-201</b>				36	Z100344	Ventil kpl. (best. aus Pos. 37 bis 44)	Valve cpl. (cons. of pos. 37 up to 44)				
1	Z151711	Abhacker kpl. (best. aus Pos. 2 bis 71)	Chop-off device cpl. (cons. of pos. 2 up to 71)	37	7978	3/2-Wege-Ventil	3/2 Directional control valve				
2	Z151601	Abhacker kpl. (best. aus Pos. 3 bis 31 und Pos. 63, 64)	Chop-off device cpl. (cons. of pos. 3 up to 31 and pos. 63, 64)	38	Z100156	Lagerstück	Block piece				
3	Z151604	Haltekloben	Mounting block	39	Z100157	Bolzen	Bolt				
4	Z151611	Obertr.-Hebel (mit Pos. 7)	Transmission lever (with pos. 7)	40	Z100159	Platte	Plate				
5	Z151627	Nadelrolle	Needle roll	41	216120	Zyl.-Schraube	Cyl. head screw				
6	380117	Gewindestift	Threaded stud	42	74423864	Senkschraube	Countersunk screw				
7	5691389	Schraube	Screw	43	Z100162	Stellhülse	Adjusting sleeve				
8	Z151618	Schubstange	Push rod	44	TG 42/73	Mutter	Nut				
9	Z151622	Nadelrolle	Needle roll	45	246320	Druckfeder	Pressure spring				
10	21164076	Dichtring	Gasket ring	46	718264	Stange	Rod				
11	Z151623	Messerhalter (mit Pos. 12 bis 16)	Knife holder (with pos. 12 up to 16)	47	MG43/403	Klemme	Binder				
12	70273	Gewindestift	Threaded stud	48	MG43/404	6kt.-Schraube	Hexagonal screw				
13	911210	Schraube	Screw	49	5562267	Gelenk	Link				
14	5511824	6kt.-Mutter	Hexagonal nut	50	MG43/408	6kt.-Mutter	Hexagonal nut				
15	911267	Zahnscheibe	Tooth lock washer	51	557263	Scheibe	Washer				
16	Z151626	Zyl.-Schraube	Cyl. head screw	52	74423566	Schl.-Verschr.	Hose coupling screw				
17	Z151629	Lasche	Shackle	54	72171	Anschluß kpl. (mit pos. 55 bis 60)	Coupling hose cpl. (with pos. 55 up to 60)				
18	10019239	Wellensicher.	Radial packing washer	55	Z11638	Schlauchtülle	Hose nozzle				
19	Z151616	Nadelrolle	Draw spring	56	7422096	Schlauchklemme	Hose clip				
20	Z151634	Zugfeder	Draw spring	57	Z11577	Schlauch	Hose				
21	246134	Drahtbügel	Wire strap	59	7449513	Tülle	Nozzle				
22	57010047	Scheibe	Washer	60	7441793a	Kupplungsdose	Coupling socket				
23	5701694	Zyl.-Schraube	Cyl. head screw	61	App. 528	Schraube	Screw				
24	93916829	Distanzscheibe	Distance washer	62	7991612	Kabelhalter	Cable clamp				
25	556457	Distanzscheibe	Distance washer	63	216211	Schraube	Screw				
26	Z151643	Anschlag	Stop	64	93916830	Distanzscheibe	Distance washer				
27	739347	Zahnscheibe	Tooth lock washer	65	5701836	Bef.-Platte	Mounting plate				
28	70266	Zyl.-Schraube	Cyl. head screw	66	72153	Bef.-Winkel	Fastening square				
29	422277	Scheibe	Washer	67	MG43/36	6kt.-Schraube	Hexagonal screw				
30	Z151642	6kt.-Schraube	Hexagonal screw	68	72043	Scheibe	Washer				
31	7425374	Zyl.-Schraube	Cyl. head screw	69	72042a	6kt.-Mutter	Hexagonal nut				
32	P12153	L-Winkelstück	L-Square piece	70	7427274	Reduzierventil	Reducing valve 30				
33	74423566	Schl.-Verschr.	Hose coupling screw	71	74423566	Winkelverschr.	Square coupling screw				
34	Z151670	Trennmesser	Ripping knife								
35	Z100341	Schalt. kpl. (best. aus Pos. 36 bis 52)	Pneumatic switch cpl. (cons. of pos. 36 up to 52)								



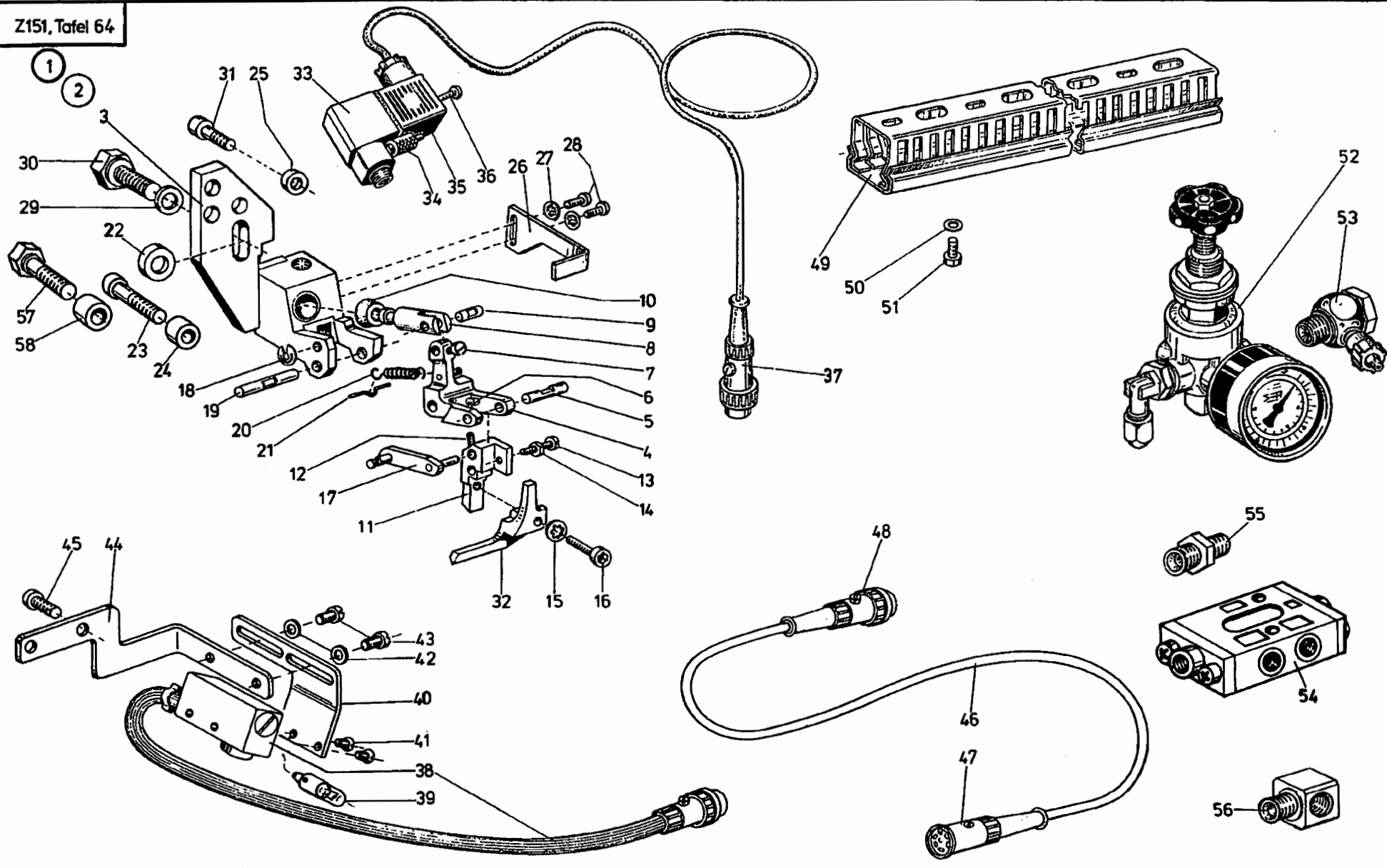
Pos. Det.	Teile Nr. Part No.	Benennung	Denomination	Pos. Det.	Teile Nr. Part No.	Benennung	Denomination	Pos. Det.	Teile Nr. Part No.	Benennung	Denomination
	<b>Z 151-211</b>										
1	Z151691	Abhacker kpl. (best. aus Pos. 2, 32 bis 76. Hinzu Tafel 59 und 60)	Chop-off device cpl. (cons. of pos. 2, 32 up to 76. Table 59 and 60 additionally)	37	2113016	Bolzen	Bolt				
2	Z151601	Abhacker kpl. (best. aus Pos. 3 bis 31 und 74, 75)	Chop-off device cpl. (cons. of pos. 3 up to 31 and 74, 75)	38	024275	Scheibe	Washer				
3	Z151604	Haltekloben	Mounting block	39	237202	6kt.-Mutter	Hexagonal nut				
4	Z151611	Übertr.-Hebel	Transmission lever	40	Z151831a	Lichtschr.-Send.	Light barrier sender				
5	Z151627	Nadelrolle	Needle roll	41	Z151827	Leitung	Cable				
6	380117	Gewindestift	Threaded stud	42	Z151160	Halteplatte (mit Pos. 43 bis 48, 33)	Mounting plate (with pos. 43 up to 48, 33)				
7	5691389	Schraube	Screw	43	Z151161	Abdeckplatte	Cover plate				
8	Z151618	Schubstange	Push rod	44	93320031	Schraube	Screw				
9	Z151622	Nadelrolle	Needle roll	45	913629	Scheibe	Washer				
10	21154075	Dichtring	Gasket ring	46	94230318	Befest.-Schelle	Fastening clip				
11	Z151623	Messerhalter kpl. (mit Pos. 12)	Knife holder cpl. (with pos. 12)	47	7395347	Senkschraube	Countersunk screw				
12	70273	Gewindestift	Threaded stud	48	5691895	Scheibe	Washer				
13	911210	Schraube	Screw	49	Z151135	Magnetventil (mit Pos. 50)	Solenoid valve (with pos. 50)				
14	5511824	6kt.-Mutter	Hexagonal nut	50	7221139	Schnellverschr.	Quick connected screw				
15	911267	Zahnscheibe	Tooth lock washer	51	Z151131	Leitung	Cable cpl.				
16	Z151626	Zyl.-Schraube	Cyl. head screw	52	739404	Zyl.-Schraube	Cyl. head screw				
17	Z151629	Lasche	Shackle	53	Z151371	Kabelkanal	Cable channel				
18	10019239	Wellensicher.	Radial packing washer	54	216120	6kt.-Schraube	Hexagonal screw				
19	Z151615	Nadelrolle	Needle roll	55	55890	Scheibe	Washer				
20	Z151634	Zugfeder	Draw spring	56	202704	6kt.-Mutter	Hexagonal nut				
21	246134	Drahtbügel	Wire strap	57	Z151375	Kabelkanal	Cable channel				
22	57010047	Scheibe	Washer	58	713302	Holzschraube	Wood screw				
23	5701594	Zyl.-Schraube	Cyl. head screw	59	798607	Kabelkanal	Cable channel				
24	93916829	Distanzscheibe	Distance washer	60	5701836	Bef.-Platte	Mounting plate				
25	556457	Distanzscheibe	Distance washer	61	MG43/36	6kt.-Schraube	Hexagonal screw				
26	Z151643	Anschlag	Stop	62	72043	Scheibe	Washer				
27	739347	Zahnscheibe	Tooth lock washer	63	72042a	6kt.-Mutter	Hexagonal nut				
28	70266	Zyl.-Schraube	Cyl. head screw	64	72153	Bef.-Winkel	Fastening square				
29	422277	Scheibe	Washer	65	7427274	Reduzierventil	Reducing valve				
30	Z151642	6kt.-Schraube	Hexagonal screw	66	74423556	Winkel-Verschr.	Square coupling screw				
31	7425374	Zyl.-Schraube	Cyl. head screw	67	72171	Anschluß kpl. (best. aus Pos. 68 bis 73)	Coupling hose cpl. (cons. of pos. 68 up to 73)				
32	Z151670	Trennmesser	Ripping knife	68	Z11538	Schlauchtülle	Hose nozzle				
33	Z151340	Stecker	Contact plug	69	7422096	Schlauchklemme	Hose clip				
34	Z151844	Lichtschr.-Halter	Light barrier support	70	Z11577	Schlauch	Hose				
35	Z151846	Halteblech	Holding plate	72	7449513	Tülle	Nozzle				
36	9312131	Senkschraube	Countersunk screw	73	7441793a	Kupplungsdose	Coupling socket				
				74	216211	Schraube	Screw				
				75	93916830	Distanzscheibe	Distance washer				
				76	202704	Mutter	Nut				





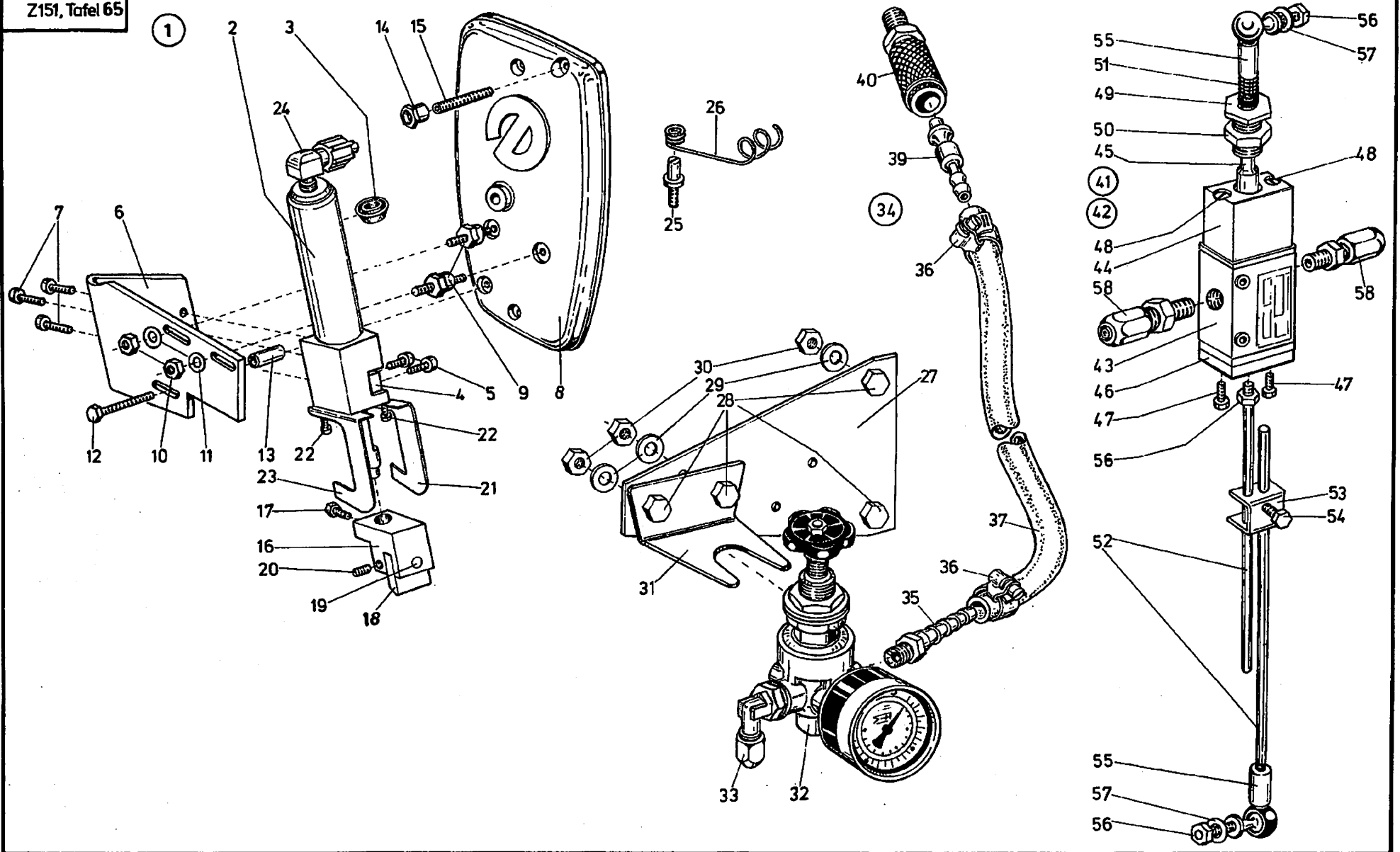
Pos. Det.	Teile Nr. Part No.	Benennung	Denomination	Pos. Det.	Teile Nr. Part No.	Benennung	Denomination	Pos. Det.	Teile Nr. Part No.	Benennung	Denomination
		<b>Z 151-211</b> für Kl. 933-2-40103		35	Z151131	Leitung (mit Pos. 37)	Cable (with pos. 37)				
1	Z151699	Abhacker kpl. (best. aus Pos. 2, 32 bis 52)	Chop-off device cpl. (cons. of pos. 2, 32 up to 52)	36	739404	Zyl.-Schraube	Cyl. head screw				
2	Z151601	Abhacker, kpl. (best. aus Pos. 3 bis 31 und 53, 54)	Chop-off device cpl. (cons. of pos. 3 up to 31 and 53, 54)	37	93320350	Stecker	Contact plug				
3	Z151604	Halteklöben	Mounting block	38	Z151811	Halteplatte (mit Pos. 39 bis 44)	Supporting plate cpl. (with pos. 39 up to 44)				
4	Z151611	Übertr.-Hebel	Transmission lever	39	Z151340	Steckvorrichtg.	Plug-in connection				
5	Z151627	Nadelrolle	Needle roll	40	94230318	Befest.-Schelle	Fastening clip				
6	380117	Gewindestift	Threaded stud	41	7395347	Senkschraube	Countersunk screw				
7	5891389	Schraube	Screw	42	202704	Mutter	Nut				
8	Z151618	Schubstange	Push rod	43	93320031	Schraube	Screw				
9	Z151622	Nadelrolle	Needle roll	44	5691895	Scheibe	Washer				
10	Z1516075	Dichtring	Gasket ring	45	Z151831a	Lichtschr.-Sender kpl. (mit Pos. 46)	Light barrier sender cpl. (with pos. 46)				
11	Z151623	Messerhalter (mit Pos. 12)	Knife holder cpl. (with pos. 12)	46	Z151340	Steckvorrichtg.	Plug-in connection				
12	70273	Gewindestift	Threaded stud	47	2113016	Spezierschraube	Special screw				
13	911210	Schraube	Screw	48	Z151844	Lichtschr.-Halter	Light barrier support				
14	5511824	6kt.-Mutter	Hexagonal nut	49	024275	Scheibe	Washer				
15	911267	Zahnscheibe	Tooth lock washer	50	237202	6kt.-Mutter	Hexagonal nut				
16	Z151826	Zyl.-Schraube	Cyl. head screw	51	Z151845	Halteblech	Holding plate				
17	Z151829	Lasche	Shackle	52	9312131	Senkschraube	Countersunk screw				
18	10019239	Wellensicher.	Radial packing washer	53	216211	Schraube	Screw				
19	Z151615	Nadelrolle	Needle roll	54	93916830	Distanzscheibe	Distance washer				
20	Z151634	Zugfeder	Draw spring								
21	246134	Drahtbügel	Wire strap								
22	67010047	Scheibe	Washer								
23	5701594	Zyl.-Schraube	Cyl. head screw								
24	93916829	Distanzscheibe	Distance washer								
25	556457	Distanzscheibe	Distance washer								
26	Z151643	Anschlag	Stop								
27	739347	Zahnscheibe	Tooth lock washer								
28	70266	Zyl.-Schraube	Cyl. head screw								
29	422277	Scheibe	Washer								
30	Z151642	6kt.-Schraube	Hexagonal screw								
31	7425374	Zyl.-Schraube	Cyl. head screw								
32	Z151670	Trennmesser	Ripping knife								
33	Z151135	Magnetventil (mit Pos. 34)	Solenoid valve (with pos. 34)								
34	7221139	Schnellverschr.	Quick coupling screw								

Z151, Tafel 64



Pos. Det.	Teile Nr. Part No.	Benennung	Denomination	Pos. Det.	Teile Nr. Part No.	Benennung	Denomination	Pos. Det.	Teile Nr. Part No.	Benennung	Denomination
<b>Z 151-221</b>											
1	Z151761	Abhacker kpl. (best. aus Pos. 2 und 32 bis 56)	Chop-off device cpl. (cons. of pos. 2 and 32 up to 56)	37	93320350	Stecker	Contact plug				
2	Z151601	Abhacker kpl. (best. aus Pos. 3 bis 31, 57, 58)	Chop-off device cpl. (cons. of pos. 3 up to 31, 57, 58)	38	93311589	Lichtschranke (mit Pos. 39)	Light barrier (with pos. 39)				
3	Z151604	Halteklöben	Mounting block	39	93311589a	Lampe	Lamp				
4	Z151611	Übertr.-Hebel	Transmission lever	40	24415009	Winkel	Square				
5	Z151627	Nadelrolle	Needle roll	41	658579	Senkschraube	Countersunk screw				
6	380117	Gewindestift	Threaded stud	42	024275	Scheibe	Washer				
7	5691389	Schraube	Screw	43	216123	Zyl.-Schraube	Cyl. head screw				
8	Z151618	Schubstange	Push rod	44	21956308	Winkel	Square				
9	Z151622	Nadelrolle	Needle roll	45	5562068	Zyl.-Schraube	Cyl. head screw				
10	21164076	Dichtring	Gasket ring	46	24415022	Leitung (mit Pos. 47, 48)	Cable (with pos. 47, 48)				
11	Z151623	Messer-Halter	Knife holder	47	7444872	Stecker	Contact plug				
12	70273	Gewindestift	Threaded stud	48	7444873	Kupplung	Coupling				
13	911210	Schraube	Screw	49	798676	Kabelkanal	Cable channel				
14	6511824	6kt.-Mutter	Hexagonal nut	50	55890	Scheibe	Washer				
15	911267	Zahnscheibe	Tooth lock washer	51	739255	Zyl.-Schraube	Cyl. head screw				
16	Z151626	Zyl.-Schraube	Cyl. head screw	52	7427274	Reduzierventil	Reducing valve				
17	Z151629	Lasche	Shackle	53	7422273	L-Verschr.	L-Screwed connection				
18	10019239	Wellensicher.	Radial pecking washer	54	7449431	3/2-Wege-Ventil	3/2-Directional control valve				
19	Z151615	Nadelrolle	Needle roll	55	7441819	Doppelnippel	Double nipple				
20	Z151634	Zugfeder	Draw spring	56	P12153	L-Winkelstück	L-square piece				
21	246134	Drahtbügel	Wire strap	57	216211	Schraube	Screw				
22	57010047	Scheibe	Washer	58	93916830	Distanzscheibe	Distance washer				
23	5701594	Zyl.-Schraube	Cyl. head screw								
24	93916829	Distanzscheibe	Distance washer								
25	566457	Distanzscheibe	Distance washer								
26	Z151643	Anschlag	Stop								
27	739347	Zahnscheibe	Tooth lock washer								
28	70266	Zyl.-Schraube	Cyl. head screw								
29	422277	Scheibe	Washer								
30	Z151642	6kt.-Schraube	Hexagonal screw								
31	7425374	Zyl.-Schraube	Cyl. head screw								
32	Z151670	Trennmesser	Ripping knife								
33	Z151135	Magnetventil (mit Pos. 34)	Solenoid valve (with pos. 34)								
34	7221139	Schnallverschr.	Quick connected screw								
35	Z151131	Leitung (mit Pos. 37)	Cable (with pos. 37)								
36	739404	Zyl.-Schraube	Cyl. head screw								

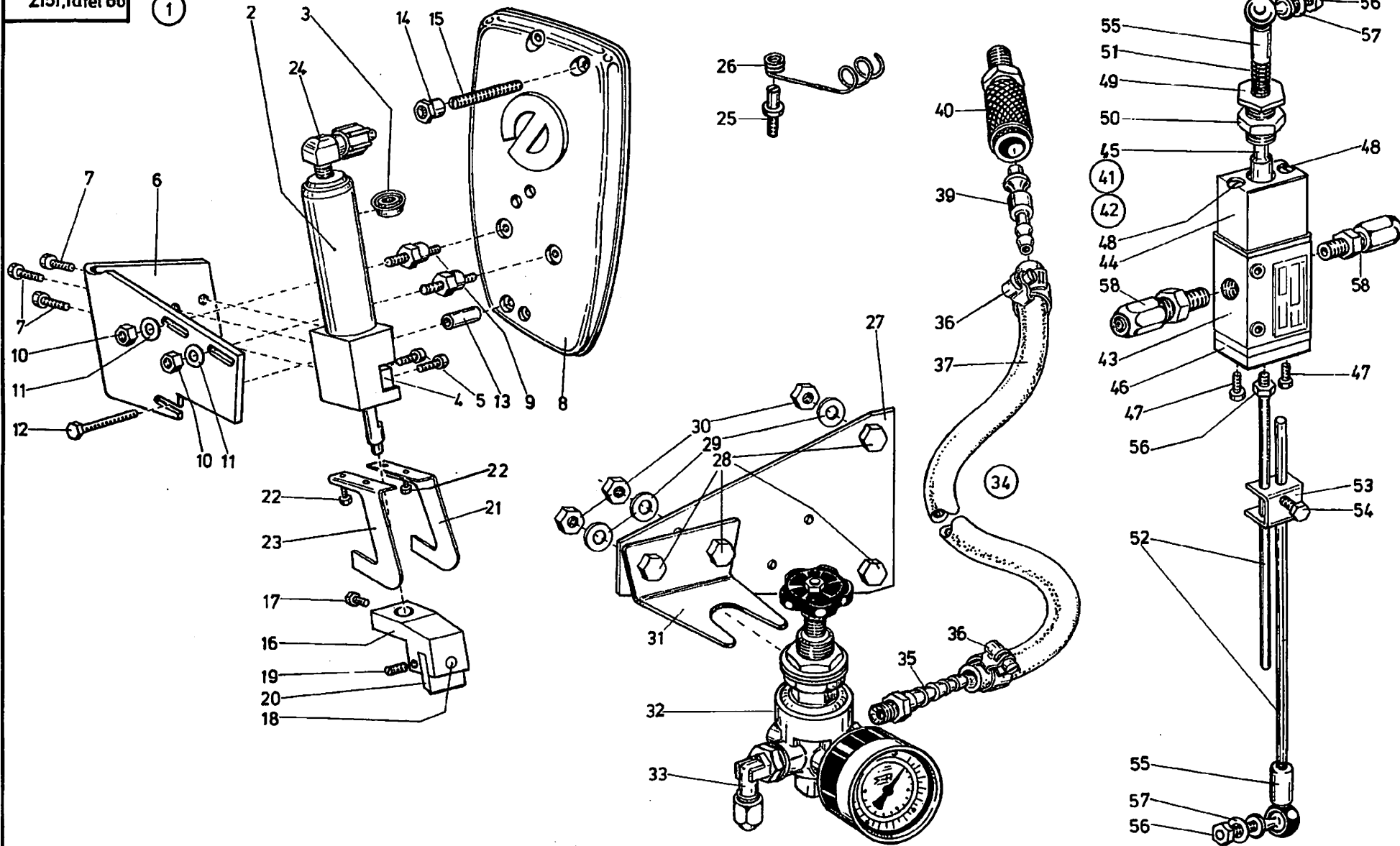
Z151, Tafel 65



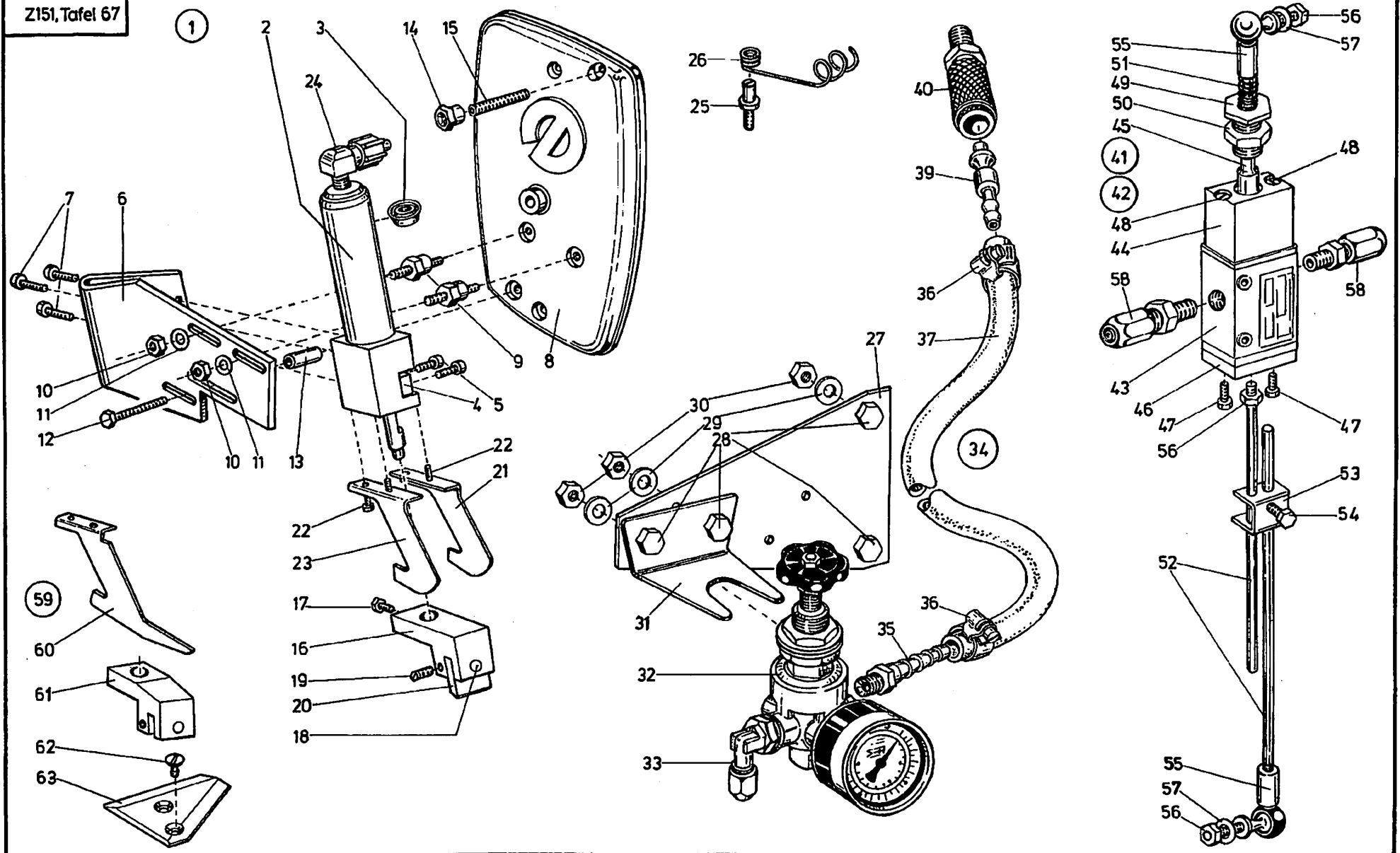


Pos. Det.	Teile Nr. Part No.	Benennung	Denomination	Pos. Det.	Teile Nr. Part No.	Benennung	Denomination	Pos. Det.	Teile Nr. Part No.	Benennung	Denomination
<b>Z 151-301-211</b>											
1	Z 1511041	Abhacker kpl. (best. aus Pos. 2 bis 33, 34 und 41)	Chop-off device cpl. (cons. of pos. 2 up to 333, 34 and 41)	37	Z 11577	Schlauch	Hose				
2	Z 151992	Halter (mit Pos. 3, 4, 5)	Holding device cpl. (with pos. 3, 4, 5)	39	7449513	Tülle	Nozzle				
3	7461547	Lippenring	Lip seal	40	7441793a	Kupplungsdose	Coupling socket				
4	Z 151097	Platte	Plate	41	Z 100341	Pneum. Schalt. kpl. (best. aus Pos. 42 und 51 bis 58)	Pneumatic switch cpl. (cons. of pos. 42 and 51 up to 58)				
5	531473	Zyl.-Schraube	Cyl. head screw	42	Z 100344	Ventil kpl. (best. aus Pos. 43 bis 50)	Solenoid valve cpl. (cons. of pos. 43 up to 50)				
6	Z 1511045	Haltewinkel	Supporting square	43	7978	3/2-Wege-Ventil	3/2-Directional control valve				
7	531473	Zyl.-Schraube	Cyl. head screw	44	Z 100156	Lagerstück	Block piece				
8	Z 1511042	Kopfdeckel	Face plate	45	Z 100157	Bolzen	Bolt				
9	Z 113016	Spezialschraube	Special screw	46	Z 100159	Platte	Plate				
10	MG8/7d	6kt.-Mutter	Hexagonal nut	47	216120	Zyl.-Schraube	Cyl. head screw				
11	024275	Scheibe	Washer	48	74423864	Senkschraube	Countersunk screw				
12	911679a	6kt.-Schraube	Hexagonal screw	49	Z 100162	Stellhülse	Adjusting sleeve				
13	Z 1511047	Abstandshülse	Distance sleeve	50	TG 42/73	Mutter	Nut				
14	9421424	Bundmutter	Collar nut	51	246320	Druckfeder	Pressure spring				
15	Z 1511049	Gewindestift	Threaded stud	52	718254	Stange	Rod				
16	Z 1511053	Messerhalter (mit Pos. 17, 19, 20)	Knife holder (with pos. 17, 19, 20)	53	MG 43/403	Klemme	Binder				
17	5561313a	Bef.-Schraube	Fastening screw	54	MG 43/404	6kt.-Schraube	Hexagonal screw				
18	Z 1511059	Messer	Knife	55	5562267	Gelenk	Link				
19	265131	Bolzen	Bolt	56	MG 43/408	6kt.-Mutter	Hexagonal nut				
20	5411395	Gewindestift	Threaded stud	57	557263	Scheibe	Washer				
21	Z 1511061	Fingerschutz	Finger guard	58	74423566	Verschraubung	Screwed connection				
22	55830	Zyl.-Schraube	Cyl. head screw								
23	Z 1511062	Fingerschutz	Finger guard								
24	74423556	Winkel-Verschr.	Square coupling screw								
25	App. 528	Schraube	Screw								
26	7991612	Kabelhalter	Cable clamp								
27	5701836	Bef.-Platte	Mounting plate								
28	MG 43/36	6kt.-Schraube	Hexagonal screw								
29	72043	Scheibe	Washer								
30	72042a	6kt.-Mutter	Hexagonal nut								
31	72153	Bef.-Winkel	Fastening square								
32	7427274	Reduzierventil	Reducing valve								
33	74423556	Winkel-Verschr.	Square coupling screw								
34	72171	Anschluß kpl. (best. aus Pos. 35 bis 40)	Coupling hose cpl. (cons. of pos. 35 up to 40)								
35	Z 11538	Schlauchtülle	Hose nozzle								
36	7422096	Schlauchklemme	Hose clip								

1



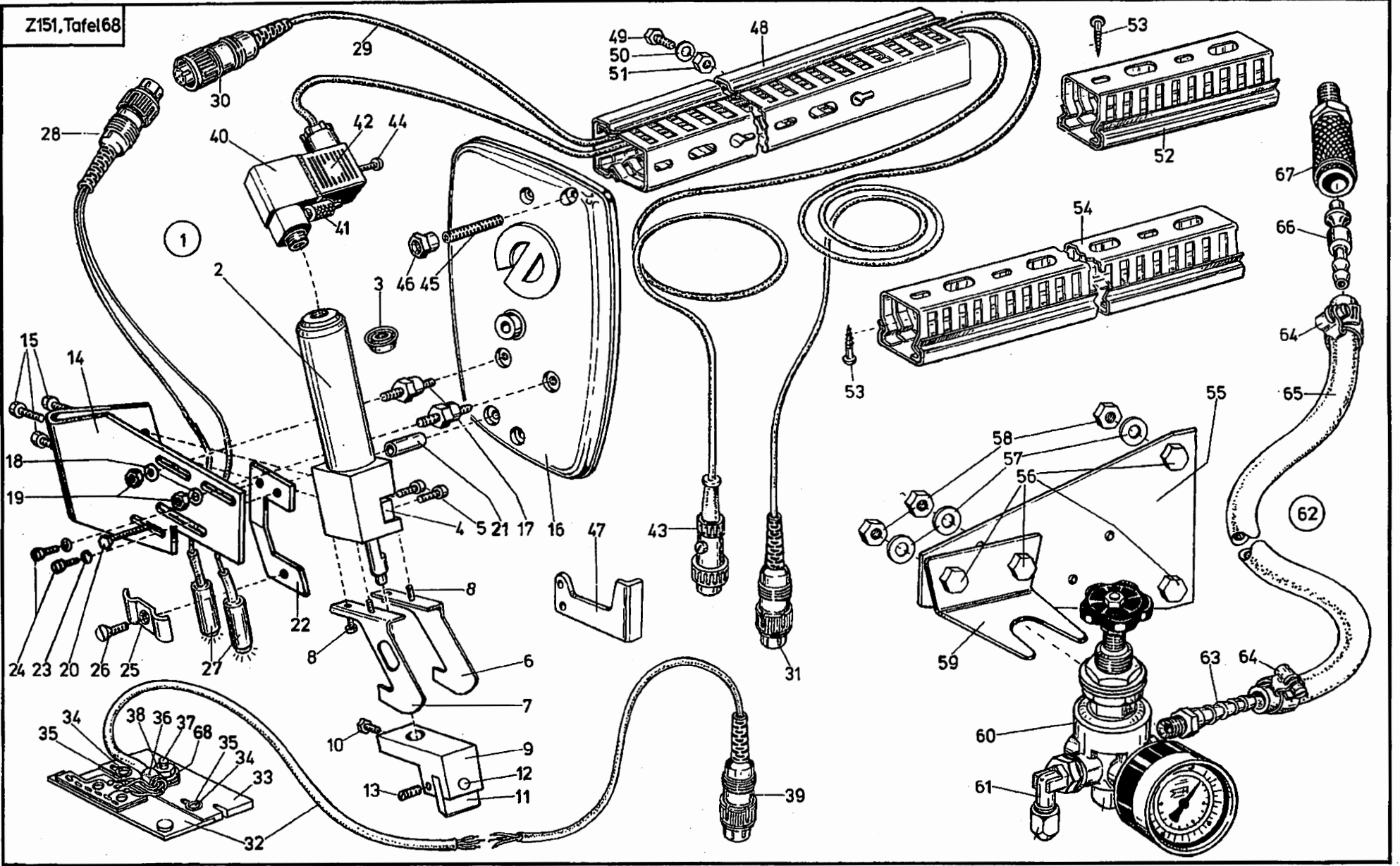
Pos. Det.	Teile Nr. Part No.	Benennung	Denomination	Pos. Det.	Teile Nr. Part No.	Benennung	Denomination	Pos. Det.	Teile Nr. Part No.	Benennung	Denomination
<b>Z 151-301-265</b>				37	Z11577	Schlauch	Hose				
1	Z1511101	Abhacker kpl. (best. aus Pos. 2 bis 33, Pos. 34 und 41)	Chop-off device cpl. (cons. of pos. 2 up to 33, 34 and 41)	39	7449513	Tülle	Nozzle				
2	Z151992	Halter (mit Pos. 3, 4, 5)	Holding device cpl. (with pos. 3, 4, 5)	40	7441793a	Kupplungsdose	Coupling socket				
3	7461547	Lippenring	Lip seal	41	Z100341	Pneum. Schalt. kpl. (best. aus Pos. 42 und Pos. 51 bis 58)	Pneumatic switch cpl. (cons. of pos. 42 and pos. 51 up to 58)				
4	Z151997	Platte	Plate	42	Z100344	Ventil kpl. (best. aus Pos. 43 bis 50)	Solenoid valve cpl. (cons. of pos. 43 up to 50)				
5	531473	Zyl.-Schraube	Cyl. head screw	43	7978	3/2-Wegs-Ventil	3/2 Directional control valve				
6	Z1511105	Haltewinkel	Supporting square	44	Z100156	Lagerstück	Block piece				
7	531473	Zyl.-Schraube	Cyl. head screw	45	Z100157	Bolzen	Bolt				
8	Z1511102	Kopfdeckel	Face plate	46	Z100159	Platte	Plate				
9	Z113016	Spezierschraube	Special screw	47	216120	Zyl.-Schraube	Cyl. head screw				
10	MG8/7d	6kt.-Mutter	Hexagonal nut	48	74423864	Senkschraube	Countersunk screw				
11	024275	Scheibe	Washer	49	Z100162	Stellhülse	Adjusting sleeve				
12	911679a	6kt.-Schraube	Hexagonal screw	50	TG42/73	Mutter	Nut				
13	Z1511047	Abstandshülse	Distance sleeve	51	246320	Druckfeder	Pressure spring				
14	9421424	Bundmutter	Collar nut	52	718254	Stange	Rod				
15	Z1511160	Gewindestift	Threaded stud	53	MG43/403	Klemme	Binder				
16	Z1511115	Messerhalter (mit Pos. 17, 18, 19)	Knife holder (with pos. 17, 18, 19)	54	MG43/404	6kt.-Schraube	Hexagonal screw				
17	5561313a	Bef.-Schraube	Fastening screw	55	5562267	Gelenk	Link				
18	266131	Bolzen	Bolt	56	MG43/408	6kt.-Mutter	Hexagonal nut				
19	5411395	Gewindestift	Threaded stud	57	557263	Scheibe	Washer				
20	Z1511059	Messer	Knife	58	74423568	Verschraubung	Screwed connection				
21	Z1511122	Fingerschutz	Finger guard								
22	55830	Zyl.-Schraube	Cyl. head screw								
23	Z1511123	Fingerschutz	Finger guard								
24	74423556	Winkel-Versch.	Square coupling screw								
25	App. 528	Schraube	Screw								
26	7991612	Kabelhalter	Cable clamp								
27	5701836	Bef.-Platte	Mounting plate								
28	MG43/36	6kt.-Schraube	Hexagonal screw								
29	72043	Scheibe	Washer								
30	72042a	6kt.-Mutter	Hexagonal nut								
31	72153	Bef.-Winkel	Fastening square								
32	7427274	Reduzierventil	Reducing valve								
33	74423556	Winkel-Versch.	Square coupling screw								
34	72171	Anschluß kpl. (best. aus Pos. 35 bis 40)	Coupling hose cpl. (cons. of pos. 35 up to 40)								
35	Z11538	Schlauchtülle	Hose nozzle								
36	7422096	Schlauchklemme	Hose clip								



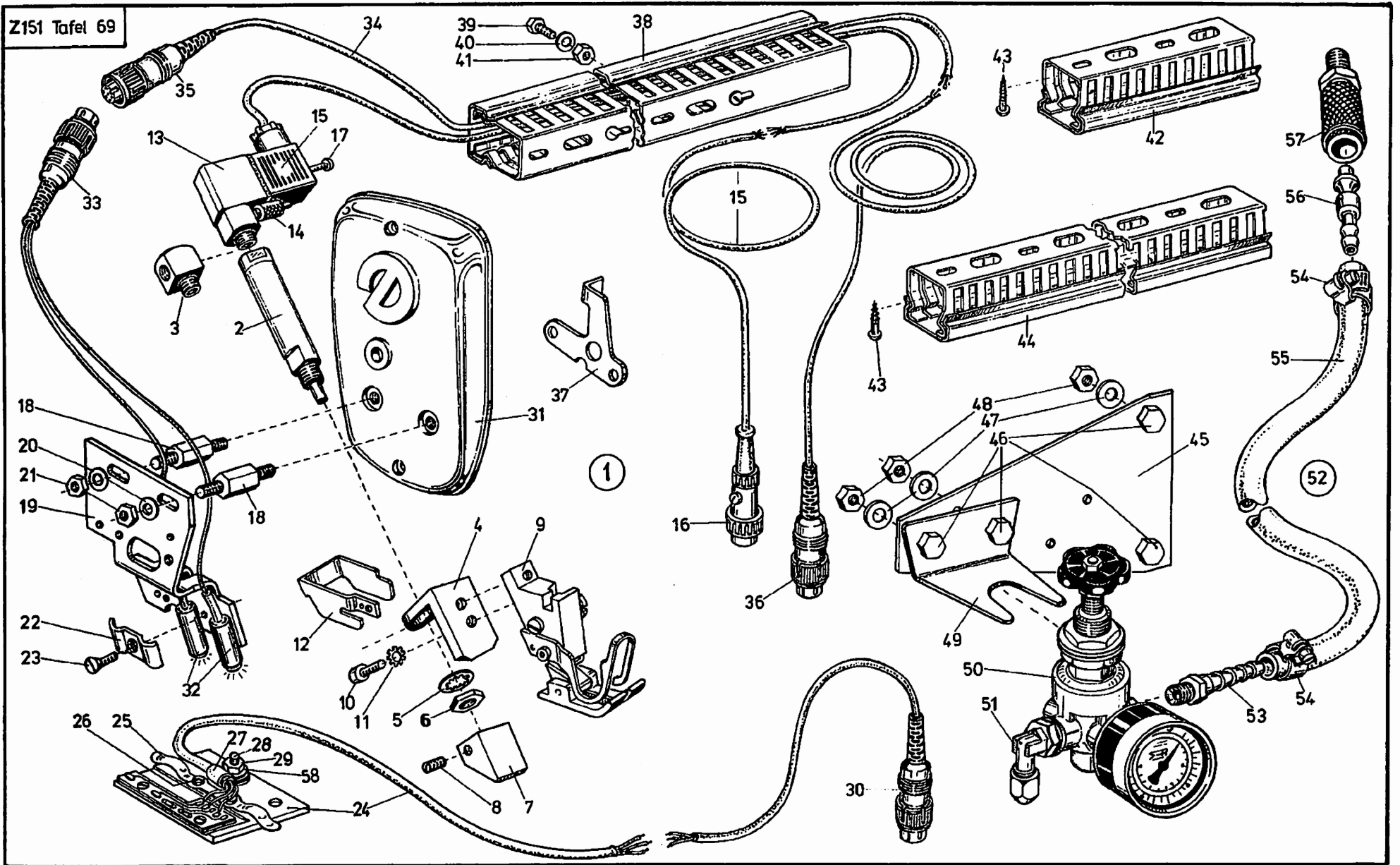
Pos. Det.	Teile Nr. Part No.	Benennung	Denomination	Pos. Det.	Teile Nr. Part No.	Benennung	Denomination	Pos. Det.	Teile Nr. Part No.	Benennung	Denomination
		<b>Z 151-301-933, -401</b>									
		<b>Z 151-301-933</b>									
1	Z1511161	Abhacker kpl. (best. aus Pos. 2 bis 33, Pos. 34 und 41)	Chop-off device cpl. (cons. of pos. 2 up to 33, 34 and 41)	35	Z11538	Schlauchtülle	Hose nozzle				
2	Z151992	Halter (mit Pos. 3, 4, 5)	Holding device cpl. (with pos. 3, 4, 5)	36	7422096	Schlauchklemme	Hose clip				
3	7461547	Lippenring	Lip seal	37	Z11677	Schlauch	Hose				
4	Z151997	Platte	Plate	39	7449513	Tülle	Nozzle				
5	531473	Zyl.-Schraube	Cyl. head screw	40	7441793a	Kupplungsdose	Coupling socket				
6	Z1511155	Haltewinkel	Supporting square	41	Z100341	Pneum. Schalt. kpl. (best. aus Pos. 42 und Pos. 51 bis 58)	Pneumatic switch cpl. (cons. of pos. 42 and pos. 51 up to 58)				
7	531473	Zyl.-Schraube	Cyl. head screw	42	Z100344	Ventil kpl. (best. aus Pos. 43 bis 50)	Solenoid valve cpl. (cons. of pos. 43 up to 50)				
8	Z1511152	Kopfdackel	Face plate	43	7978	3/2-Wega-Ventil	3/2 Directional control valve				
9	2113016	Spezialschraube	Special screw	44	Z100156	Lagerstück	Block piece				
10	MG8/7d	6kt.-Mutter	Hexagonal nut	45	Z100157	Bolzen	Bolt				
11	024275	Scheibe	Washer	46	Z100159	Platte	Plate				
12	911679a	6kt.-Schraube	Hexagonal screw	47	216120	Zyl.-Schraube	Cyl. head screw				
13	Z1511047	Abstandshülse	Distance sleeve	48	74423864	Senkschraube	Countersunk screw				
14	9421424	Bundmutter	Collar nut	49	Z100162	Stellhülse	Adjusting sleeve				
15	Z1511160	Gewindestift	Threaded stud	50	TG42/73	Mutter	Nut				
16	Z1511166	Messerhalter (mit Pos. 17, 18, 19)	Knife holder (with pos. 17, 18, 19)	51	246320	Druckfeder	Pressure spring				
17	5561313a	Bef.-Schraube	Fastening screw	52	718254	Stange	Rod				
18	265131	Bolzen	Bolt	53	MG43/403	Klemme	Binder				
19	5411395	Gewindestift	Threaded stud	54	MG43/404	6kt.-Schraube	Hexagonal screw				
20	Z1511059	Messer	Knife	55	5562267	Gelenk	Link				
21	Z1511172	Fingerschutz	Finger guard	56	MG43/408	6kt.-Mutter	Hexagonal nut				
22	55830	Zyl.-Schraube	Cyl. head screw	57	557263	Scheibe	Washer				
23	Z1511173	Fingerschutz	Finger guard	58	74423566	Verschraubung	Screwed connection				
24	74423556	Winkel-Versch.	Square coupling screw			<b>Z 151-401</b>					
25	App. 528	Schraube	Screw	59	Z1511201	Abhacker kpl. (best. aus Pos. 2 bis 15, 17 bis 20, 22, 24 bis 58, 60 bis 63)	Chop-off device cpl. (cons. of pos. 2 up to 15, 17 bis 20, 22, 24 up to 58, 60 up to 63)				
26	7991612	Kabelhalter	Cable clamp	60	Z1511217	Fingerschutz	Finger guard				
27	5701836	Bef.-Platte	Mounting plate	61	Z1511209	Messerhalter (mit Pos. 17, 18, 19)	Knife holder (with pos. 17, 18, 19)				
28	MG43/36	6kt.-Schraube	Hexagonal screw	62	5513188	Bef.-Schraube	Fastening screw				
29	72043	Scheibe	Washer	63	Z1511218	Schneidplatte	Cutting plate				
30	72042a	6kt.-Mutter	Hexagonal nut								
31	72153	Bef.-Winkel	Fastening square								
32	7427274	Reduzierventil	Reducing valve								
33	74423556	Winkel-Versch.	Square coupling screw								
34	72171	Anschluß kpl. (best. aus Pos. 35 bis 40)	Coupling hose cpl. (cons. of pos. 35 up to 40)								



Z151, Tafel 68

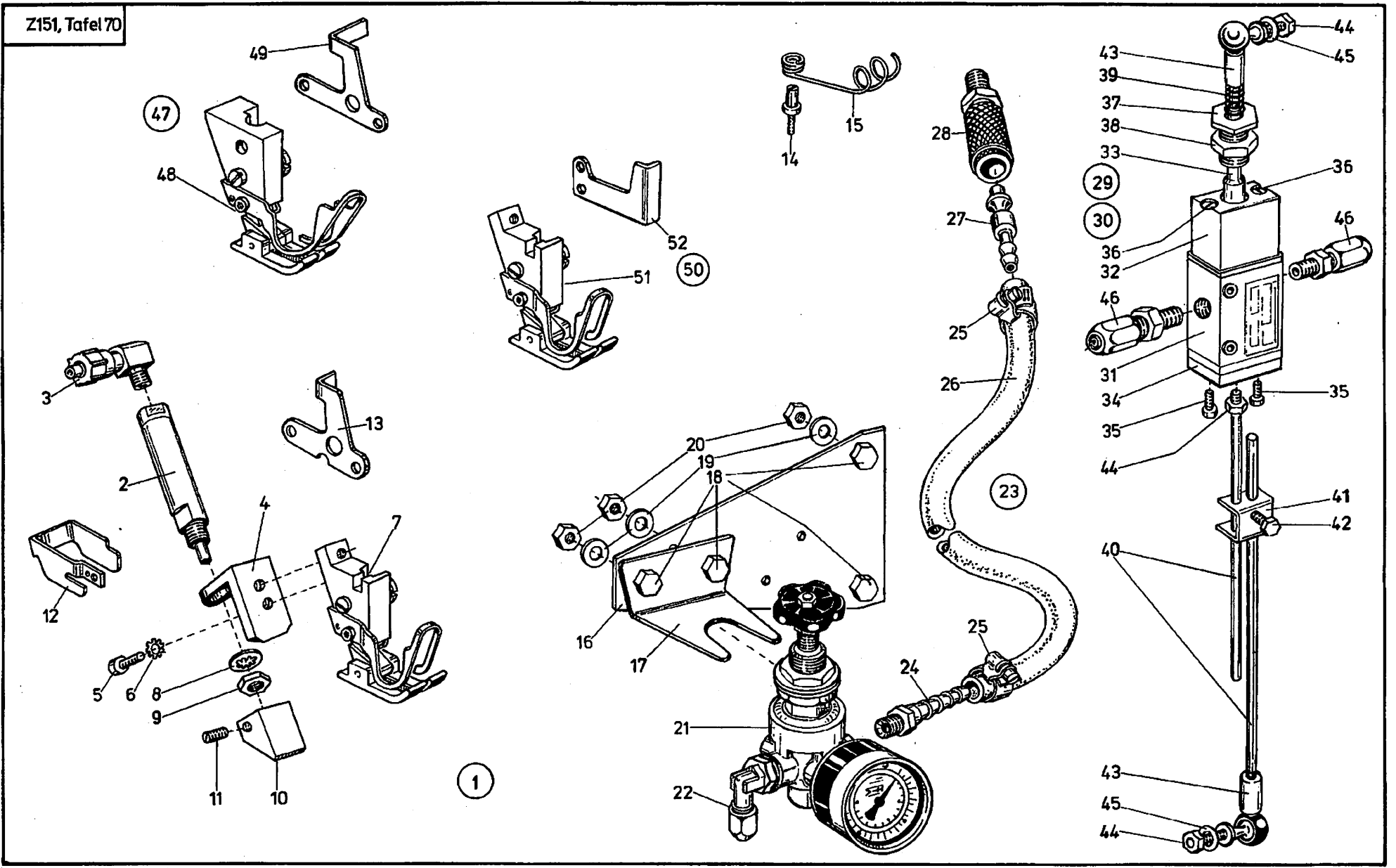


Pos. Det.	Teile Nr. Part No.	Benennung	Denomination	Pos. Det.	Teile Nr. Part No.	Benennung	Denomination	Pos. Det.	Teile Nr. Part No.	Benennung	Denomination
		<b>Z 151-311-933,</b>									
1	Z 1511501	Abhacker kpl. (best. aus Pos. 2 bis 61 und 62) Hinzu Tafel 59 und 60	Chop-off device cpl. (cons. of pos. 2 up to 61 and 62) Table 59 and 60 additionally	33	Z 151161	Abdeckplatte	Cover plate				
2	Z 151992	Halter (mit Pos. 3, 4, 5)	Holding device (with pos. 3, 4, 5)	34	93320031	Schraube	Screw				
3	7461547	Lippenring	Lip seal	35	913629	Scheibe	Washer				
4	Z 151997	Platte	Plate	36	94210318	Befest.-Schelle	Fastening clip				
5	531473	Zyl.-Schraube	Cyl. head screw	37	7395347	Senkschraube	Countersunk screw				
6	Z 1511172	Fingerschutz	Finger guard	38	202704	Mutter	Nut				
7	Z 1511173	Fingerschutz	Finger guard	39	Z 151340	Stecker	Contact plug				
8	55830	Zyl.-Schraube	Cyl. head screw	40	Z 151135	Magnetventil (mit Pos. 41)	Solenoid valve (with pos. 41)				
9	Z 1511165	Messerhalter (mit Pos. 10, 12, 13)	Knife holder (with pos. 10, 12, 13)	41	7221139	Schnellverschr.	Quick coupling screw				
10	5561313a	Bef.-Schraube	Fastening screw	42	Z 151131	Leitung (mit Pos. 43)	Cable (with pos. 43)				
11	Z 1511059	Messer	Knife	43	93320350	Stecker	Contact plug				
12	265131	Bolzen	Bolt	44	739404	Zyl.-Schraube	Cyl. head screw				
13	5411395	Gewindestift	Threaded stud	45	Z 1511160	Gewindestift	Threaded stud				
14	Z 1511155	Haltewinkel	Supporting square	46	9421424	Bundmutter	Collar nut				
15	531473	Zyl.-Schraube	Cyl. head screw	47	9335643	Halteblech	Holding plate				
16	Z 1511152	Kopfdeckel	Face plate	48	Z 151371	Kabelkanal	Cable channel				
17	Z 113016	Spezialschraube	Special screw	49	216120	6kt.-Schraube	Hexagonal screw				
18	024275	Scheibe	Washer	50	55890	Scheibe	Washer				
19	MG8/7d	6kt.-Mutter	Hexagonal nut	51	202704	6kt.-Mutter	Hexagonal nut				
20	911679a	6kt.-Schraube	Hexagonal screw	52	Z 151375	Kabelkanal	Cable channel				
21	Z 1511047	Abstandshülse	Distance sleeve	53	713302	Holzschraube	Wood screw				
22	Z 1511534	Platte	Plate	54	798607	Kabelkanal	Cable channel				
23	55890	Scheibe	Washer	55	6701836	Bef.-Platte	Mounting plate				
24	739255	Zyl.-Schraube	Cyl. head screw	56	MG43/36	6kt.-Schraube	Hexagonal screw				
25	Z 151846	Halteblech	Holding plate	57	72043	Scheibe	Washer				
26	9312131	Senkschraube	Countersunk screw	58	72042a	6kt.-Mutter	Hexagonal nut				
27	Z 151831a	Lichtschr.-Sender (mit Pos. 28)	Light barrier sender (with pos. 28)	59	72163	Bef.-Winkel	Fastening square				
28	Z 151340	Steckvorrichtg.	Plug-type connector	60	7427274	Reduzierventil	Reducing valve				
29	Z 151827	Leitung (mit Pos. 30 und 31)	Cable (with pos. 30 and 31)	61	74423556	Winkelverschr.	Square coupling screw				
30	Z 151830	Kupplung	Coupling	62	72171	Anschlußschlauch (mit Pos. 63 bis 67)	Coupling hose (with pos. 63 up to 67)				
31	Z 151357	Stecker	Contact plug	63	Z 11538	Schlauchtülle	Sleeve				
32	Z 1511509	Halteplatte (mit Pos. 33 bis 39, 68)	Supporting plate (with pos. 33 up to 39, 68)	64	7422096	Schlauchklemme	Hose clip				
				65	Z 11577	Schlauch	Hose				
				66	7449513	Tülle	Sleeve				
				67	7441793a	Kupplungsdose	Coupling socket				
				68	5691895	Scheibe	Washer				





Pos. Det.	Teile Nr. Part No.	Benennung	Denomination	Pos. Det.	Teile Nr. Part No.	Benennung	Denomination	Pos. Det.	Teile Nr. Part No.	Benennung	Denomination
<b>Z 151-111-211</b>				33	Z 151340	Stecker	Plug-type connector				
1	Z 1511591	Abhacker kpl. (best. aus Pos. 2 bis 51 und 52) Hinzu Tafel 59 und 60	Chop-off device cpl. (cons. of pos. 2 up to 51 and 52) Table 59 and 60 additionally	34	Z 151827	Leitung (mit Pos. 35 und 36)	Cable (with pos. 35 and 36)				
2	Z 151111	Zylinder	Cylinder	35	Z 151830	Kupplung	Coupling				
3	P12153	L-Winkelstück	L-Elbow	36	Z 151357	Stecker	Plug-type connector				
4	Z 1511595	Winkel	Square	37	2115647	Halblech	Holding plate				
5	z151110	Zahnschaibe	Tooth lock washer	38	Z 151371	Kabelkanal	Cable channel				
6	Z 151109	Mutter	Nut	39	720131	6kt.-Schraube	Hexagonal screw				
7	Z 1511801	Abhackmesser (mit Pos. 8)	Chop-off knife (with pos. 8)	40	72043	Scheibe	Washer				
8	147203	Gewindestift	Threaded stud	41	72042a	6kt.-Mutter	Hexagonal nut				
9	2111605	Hebelfuß kpl.	Lever foot cpl.	42	Z 151375	Kabelkanal	Cable channel				
10	939394	Zyl.-Schraube	Cyl. head screw	43	713302	Holzschraube	Wood screw				
11	911267	Zahnscheibe	Tooth lock washer	44	798607	Kabelkanal	Cable channel				
12	Z 1511605	Fingerschutz	Finger guard	45	5701836	Bef.-Platte	Mounting plate				
13	Z 1511135	Magnetventil (mit Pos. 14)	Solenoid valve (with pos. 14)	46	MG43/36	6kt.-Schraube	Hexagonal screw				
14	7221139	Schnellverschr.	Quick coupling screw	47	72043	Scheibe	Washer				
15	Z 151131	Leitung (mit Pos. 16)	Cable (with pos. 16)	48	72042a	6kt.-Mutter	Hexagonal screw				
16	93320350	Stecker	Plug-type connector	49	72153	Bef.-Winkel	Fastening square				
17	739404	Zyl.-Schraube	Cyl. head screw	50	7427274	Reduzierventil	Reducing valve				
18	Z 151848a	Bolzen	Bolt	51	74423556	Winkelverschr.	Square coupling screw				
19	Z 151844	Lichtschr.-Halter	Light barrier support	52	72171	Anschlußschlauch (mit Pos. 53 bis 57)	Coupling hose (with pos. 53 up to 57)				
20	024275	Scheibe	Washer	53	Z 11538	Schlauchdüse	Hose nozzle				
21	237202	6kt.-Mutter	Hexagonal nut	54	7422096	Schlauchklemme	Hose clip				
22	Z 151846	Halblech	Holding plate	55	Z 11577	Schlauch	Hose				
23	9312131	Senkschraube	Countersunk screw	56	7449513	Düse	Nozzle				
24	Z 1511611	Halteplatte (mit Pos. 25 bis 30, 58)	Supporting plate (with pos. 25 up to 30, 58)	57	7441793a	Kupplungsdose	Coupling socket				
25	014140	Feder	Spring	58	5691895	Scheibe	Washer				
26	211256	Zyl.-Schraube	Cyl. head screw								
27	94210318	Befest.-Schelle	Fastening clip								
28	7395347	Senkschraube	Countersunk screw								
29	202704	Mutter	Nut								
30	Z 151340	Stecker	Plug-type connector								
31	2113012	Kopfdeckel	Face plate								
32	Z 151831a	Lichtschr.-Sender (mit Pos. 33)	Light barrier sender (with pos. 33)								

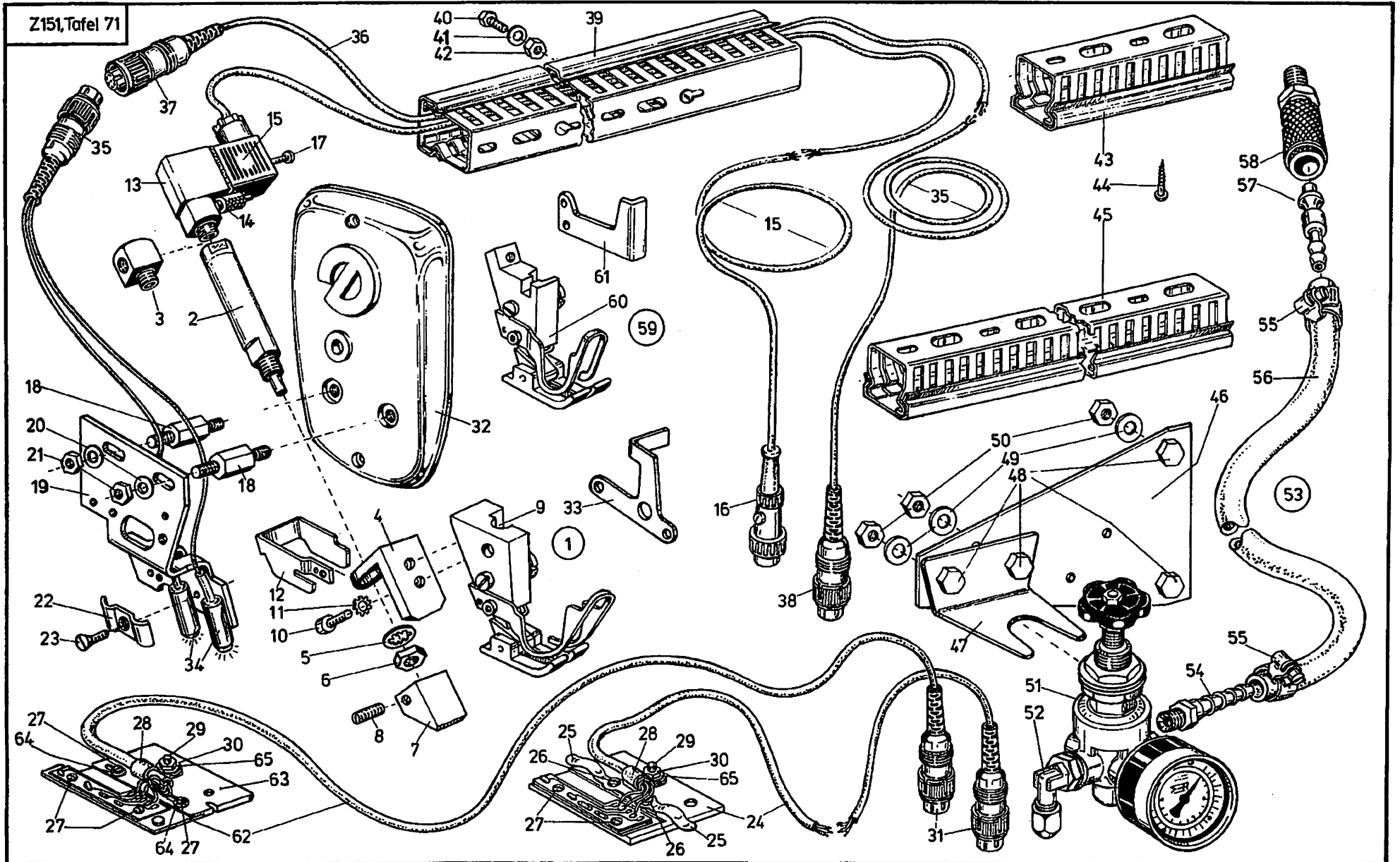




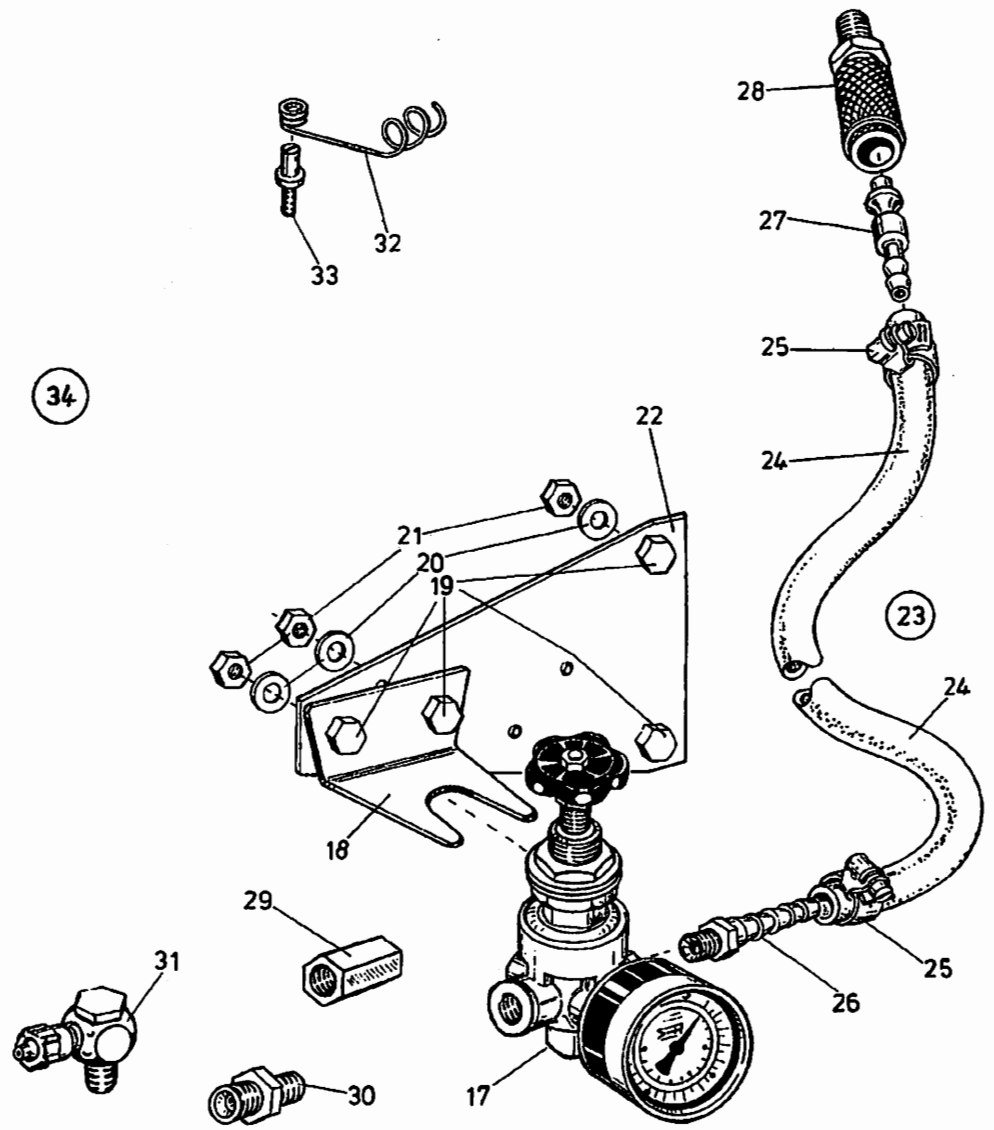
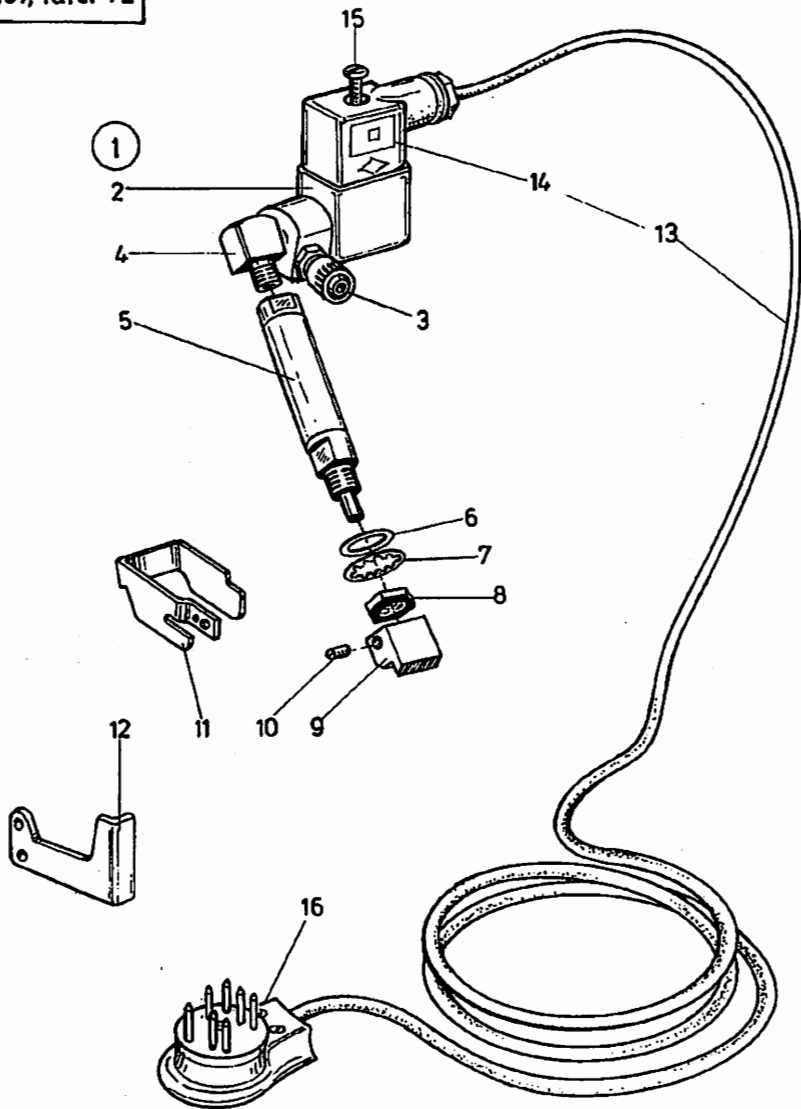
Pos. Det.	Teile Nr. Part No.	Benennung	Denomination
<b><u>Z 151-101-211</u></b> <b><u>-101-212, -101-933</u></b>			
<b>Z 151-101-211</b>			
1	Z1511701	Abhacker kpl. (best. aus Pos. 2 bis 22, 23 und 29)	Chop-off device cpl. (cons. of pos. 2 up to 22, 23 and 29)
2	Z151111	Zylinder	Cylinder
3	74423566	Winkelversch.	Square coupling screw
4	Z1511595	Winkel	Square
5	939394	Zyl.-Schraube	Cyl. head screw
6	911267	Zahnscheibe	Tooth lock washer
7	2111505	Hebelfuß	Lever foot
8	Z151110	Zahnscheibe	Tooth lock washer
9	Z151109	Mutter	Nut
10	Z1511601	Abhackmesser (mit Pos. 11)	Chop-off knife (with pos. 11)
11	147203	Gewindestift	Threaded stud
12	Z1511605	Fingerschutz	Finger guard
13	2115647	Halblech	Holding plate
14	App. 528	Schraube	Screw
15	7991612	Kabelhalter	Cable clamp
16	5701836	Bef.-Platte	Mounting plate
17	72153	Bef.-Winkel	Fastening square
18	MG43/36	6kt.-Schraube	Hexagonal screw
19	72043	Scheibe	Washer
20	72042a	6kt.-Mutter	Hexagonal nut
21	7427274	Reduzierventil	Reducing valve
22	74423566	Winkelversch.	Square coupling screw
23	72171	Anschlußschlauch (mit Pos. 24 bis 28)	Coupling hose (with pos. 24 up to 28)
24	Z11538	Schlauchtülle	Hose nozzle
25	7422096	Schlauchklemme	Hose clip
26	Z11577	Schlauch	Hose
27	7449513	Tülle	Nozzle
28	7441793a	Kupplungsdose	Coupling socket
29	Z100341	Pneum. Schalt. kpl. (best. aus Pos. 30 und 39 bis 46)	Pneumatic switch cpl. (cons. of pos. 30 and 39 up to 46)
30	Z100344	Ventil (mit Pos. 31 bis 38)	Solenoid valve (with pos. 31 up to 38)
31	7978	3/2-Wege-Ventil	3/2 Directional control valve

Pos. Det.	Teile Nr. Part No.	Benennung	Denomination
32	Z100158	Lagerstück	Block piece
33	Z100157	Bolzen	Bolt
34	Z100159	Platte	Plate
35	216120	Zyl.-Schraube	Cyl. head screw
36	74423864	Senkschraube	Countersunk screw
37	Z100162	Stellhülse	Adjusting sleeve
38	TG42/73	Mutter	Nut
39	246320	Druckfeder	Pressure spring
40	718254	Stange	Rod
41	MG43/403	Klemme	Blinder
42	MG43/404	6kt.-Schraube	Hexagonal screw
43	5562287	Gelenk	Link
44	MG43/408	6kt.-Mutter	Hexagonal nut
45	567263	Scheibe	Washer
46	74423566	Winkel-Versch.	Square coupling screw
<b>Z 151-101-212</b>			
47	Z1512101	Abhacker kpl. (best. aus Pos. 2 bis 6, 8 bis 12, 14 bis 22, 23 und 29, 48, 49)	Chop-off device cpl. (cons. of pos. 2 up to 6, 8 up to 12, 14 up to 22, 23 and 29, 48, 49)
48	21250771	Hebelfuß	Lever foot
49	24411523	Halblech	Holding plate
<b>Z 151-101-933</b>			
50	Z1511801	Abhacker kpl. (best. aus Pos. 2 bis 6, 8 bis 12, 14 bis 22, 23 und 29, 51 und 52)	Chop-off device cpl. (cons. of pos. 2 up to 6, 8 up to 12, 14 up to 22, 23 and 29, 51 and 52)
51	9338964	Hebelfuß	Lever foot
52	9335643	Halblech	Holding plate

Pos. Det.	Teile Nr. Part No.	Benennung	Denomination
<b>Z 151-101-933</b>			



Pos. Det.	Teile Nr. Part No.	Benennung	Denomination	Pos. Det.	Teile Nr. Part No.	Benennung	Denomination	Pos. Det.	Teile Nr. Part No.	Benennung	Denomination
		<b>Z151-111-212, -111-933</b>									
		<b>Z151-111-212</b>								<b>Z 151-111-933</b>	
1	Z1511991	Abhacker kpl. (best. aus Pos. 2 bis 52 und 53) Hinzu Tafeln 59 und 60	Chop-off device cpl. (cons. of pos. 2 up to 52 and 53) Table 59 and 60 additionally	32	2123012	Kopfdeckel	Face plate	59	Z1511901	Abhacker kpl. (best. aus Pos. 2 bis 8, 10 bis 23, 32, 34 bis 52, 53, 60 bis 64) Hinzu Tafel 59 und 60	Chop-off device cpl. (cons. of pos. 2 up to 8, 10 up to 23, 32, 34 up to 52, 53, 60 up to 64) Table 59 and 60 additionally
2	Z151111	Zylinder	Cylinder	33	24411523	Halteblech	Holding plate	60	9338964	Hebelfuß	Lever foot
3	P12153	L-Winkelstück	L-elbow	34	Z151831a	Lichtschr.-Sender (mit Pos. 34)	Light barrier sender (with pos. 34)	61	9335643	Halteblech	Holding plate
4	Z1511595	Winkel	Square	35	Z151340	Stecker	Plug-type connector	62	Z161160	Halteplatte (mit Pos. 27 bis 31 und 63, 64, 65)	Supporting plate (with pos. 27 up to 31 and 63, 64, 65)
5	Z151110	Zahnscheibe	Tooth lock washer	36	Z151827	Leitung (mit Pos. 36 und 37)	Cable (with pos. 36 and 37)	63	Z151161	Abdeckplatte	Cover plate
6	Z151109	Mutter	Nut	37	Z151830	Kupplung	Coupling	64	913629	Scheibe	Washer
7	Z1511601	Abhackmesser (mit Pos. 8)	Chop-off knife (with pos. 8)	38	Z151357	Stecker	Plug-type connector				
8	147203	Gewindestift	Threaded stud	39	Z151371	Kabelkanal	Cable channel				
9	21250771	Hebelfuß kpl.	Lever foot cpl.	40	720131	6kt.-Schraube	Hexagonal screw				
10	939394	Zyl.-Schraube	Cyl. head screw	41	72043	Scheibe	Washer				
11	911267	Zahnscheibe	Tooth lock washer	42	72042a	6kt.-Mutter	Hexagonal nut				
12	Z1511605	Fingerschutz	Finger guard	43	Z151375	Kabelkanal	Cable channel				
13	Z151135	Magnetventil (mit Pos. 14)	Solenoid valve (with pos. 14)	44	713302	Holzschraube	Wood screw				
14	7221139	Schnellverschr.	Quick coupling screw	45	798607	Kabelkanal	Cable channel				
15	Z151131	Leitung (mit Pos. 16)	Cable (with pos. 16)	46	5701836	Bef.-Platte	Mounting plate				
16	93320350	Stecker	Contact plug	47	72153	Bef.-Winkel	Fastening square				
17	739404	Zyl.-Schraube	Cyl. head screw	48	MG 43/36	6kt.-Schraube	Hexagonal screw				
18	Z151848a	Bolzen	Bolt	49	72043	Scheibe	Washer				
19	Z151844	Lichtschr.-Halter	Light barrier support	50	72042a	6kt.-Mutter	Hexagonal nut				
20	024275	Scheibe	Washer	51	7427274	Reduzierventil	Reducing valve				
21	237202	6kt.-Mutter	Hexagonal nut	52	74423556	Winkelverschr.	Square coupling screw				
22	Z151846	Halteblech	Holding plate	53	72171	Anschlußschlauch (mit Pos. 54 bis 58)	Coupling hose (with pos. 54 up to 58)				
23	9312131	Senkschraube	Countersunk screw	54	Z11538	Schlauchtülle	Hose nozzle				
24	Z1512011	Halteplatte (mit Pos. 25 bis 31, 65)	Mounting plate (with pos. 25 up to 31, 65)	55	7422096	Schlauchklemme	Hose clip				
25	014140	Feder	Spring	56	Z11577	Schlauch	Hose				
26	211256	Zyl.-Schraube	Cyl. head screw	57	7449513	Tülle	Nozzle				
27	93320031	Schraube	Screw	58	7441793a	Kupplungsdose	Coupling socket				
28	94210318	Befest.-Schelle	Mounting clip	65	5691896	Scheibe	Washer				
29	7395347	Senkschraube	Countersunk screw								
30	202704	Mutter	Nut								
31	Z151340	Stecker	Plug-type connector								





Pos. Det.	Teile Nr. Part No.	Benennung	Denomination	Pos. Det.	Teile Nr. Part No.	Benennung	Denomination	Pos. Det.	Teile Nr. Part No.	Benennung	Denomination
<b>Z 151-801</b>				<b>Z 151-801</b>							
1	Z1512141	Fußtrittgeschalteter elektro-pneum. Abhacker kpl. für Kl. 934 auf MG 43 u. MG 47 (best. aus Pos. 2 bis 33)	Pedal controlled electro-pneumatic chop-off device cpl. for Cl. 934 on motor stand MG 43 and MG 47 (cons. of pos. 2 up to 33)	34	Z1512171	Fußtrittgesteuerter elektro-pneumat. Abhacker kpl. für DAP 3-2-1 und DAP 3-3-1 (best. aus Pos. 2 bis 21, 29 bis 33)	Pedal controlled electro-pneumatic chop-off device cpl. for DAP 3-2-1 and DAP 3-3-1 (cons. of pos. 2 up to 21, 29 up to 33)				
2	Z151136	Magnetventil	Solenoid valve								
3	7221139	Schl.-Verschr.	Hose coupling screw								
4	P12153	Winkelstück	Supporting angle piece								
5	Z151111	Zylinder	Cylinder								
6	5551085	Scheibe	Washer								
7	Z151110	Zahnscheibe	Tooth lock washer								
8	Z151109	6kt.-Mutter	Hexagonal nut								
9	Z151492	Abhackmesser (mit Pos. 10)	Chop-off knife (with pos. 10)								
10	147203	Gewindestift	Threaded stud								
11	Z1511605	Fingerschutz	Finger guard								
12	9335643	Halteblech	Retaining plate								
13	Z1512161	Leitung (mit Pos. 14, 15, 16)	Cable (with pos. 14, 15, 16)								
14	Z151137	Steckverbindung	Plug type connection								
15	739404	Zyl.-Schraube	Cyl. head screw								
16	MG41/1124	Stecker	Plug type connector								
17	7427274	Druckregelventil	Pressure regulator valve								
18	72153	Bef.-Winkel	Mounting angle								
19	MG43/36	6kt.-Schraube	Hexagonal screw								
20	72043	Scheibe	Washer								
21	72042a	6kt.-Mutter	Hexagonal nut								
22	5701836	Bef.-Platte	Mounting plate								
23	72171	Anschlußschlauch kpl. (best. aus Pos. 24 bis 28)	Coupling hose cpl. (cons. of pos. 24 up to 28)								
24	Z11577	Anschl.-Schlauch	Coupling hose								
25	7422096	Schlauchklemme	Hose clip								
26	Z11538	Schlauchtülle	Hose nozzle								
27	7449513	Schlauchtülle	Hose nozzle								
28	7441793a	Schl.-Kupplung	Hose coupling								
29	7442528	Muffe	Bushing								
30	7441819	Doppelnippel	Double nipple								
31	7422273	L-Verschr.	L-coupling screw								
32	7991612	Kabelhalter	Cable holder								
33	App. 528	Schraube	Screw								